



Chipsmall Limited consists of a professional team with an average of over 10 year of expertise in the distribution of electronic components. Based in Hongkong, we have already established firm and mutual-benefit business relationships with customers from,Europe,America and south Asia,supplying obsolete and hard-to-find components to meet their specific needs.

With the principle of “Quality Parts,Customers Priority,Honest Operation,and Considerate Service”,our business mainly focus on the distribution of electronic components. Line cards we deal with include Microchip,ALPS,ROHM,Xilinx,Pulse,ON,Everlight and Freescale. Main products comprise IC,Modules,Potentiometer,IC Socket,Relay,Connector.Our parts cover such applications as commercial,industrial, and automotives areas.

We are looking forward to setting up business relationship with you and hope to provide you with the best service and solution. Let us make a better world for our industry!



## Contact us

Tel: +86-755-8981 8866 Fax: +86-755-8427 6832

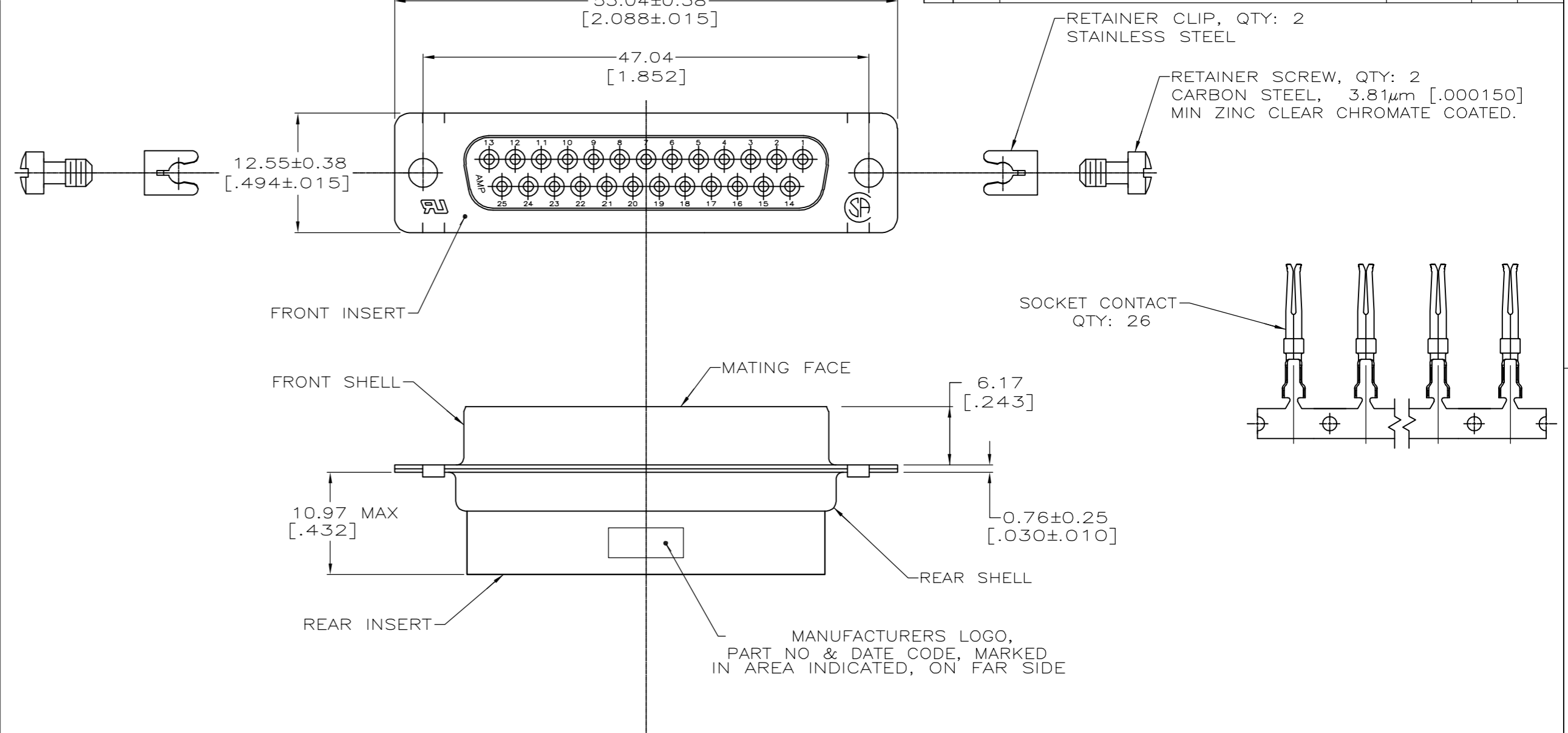
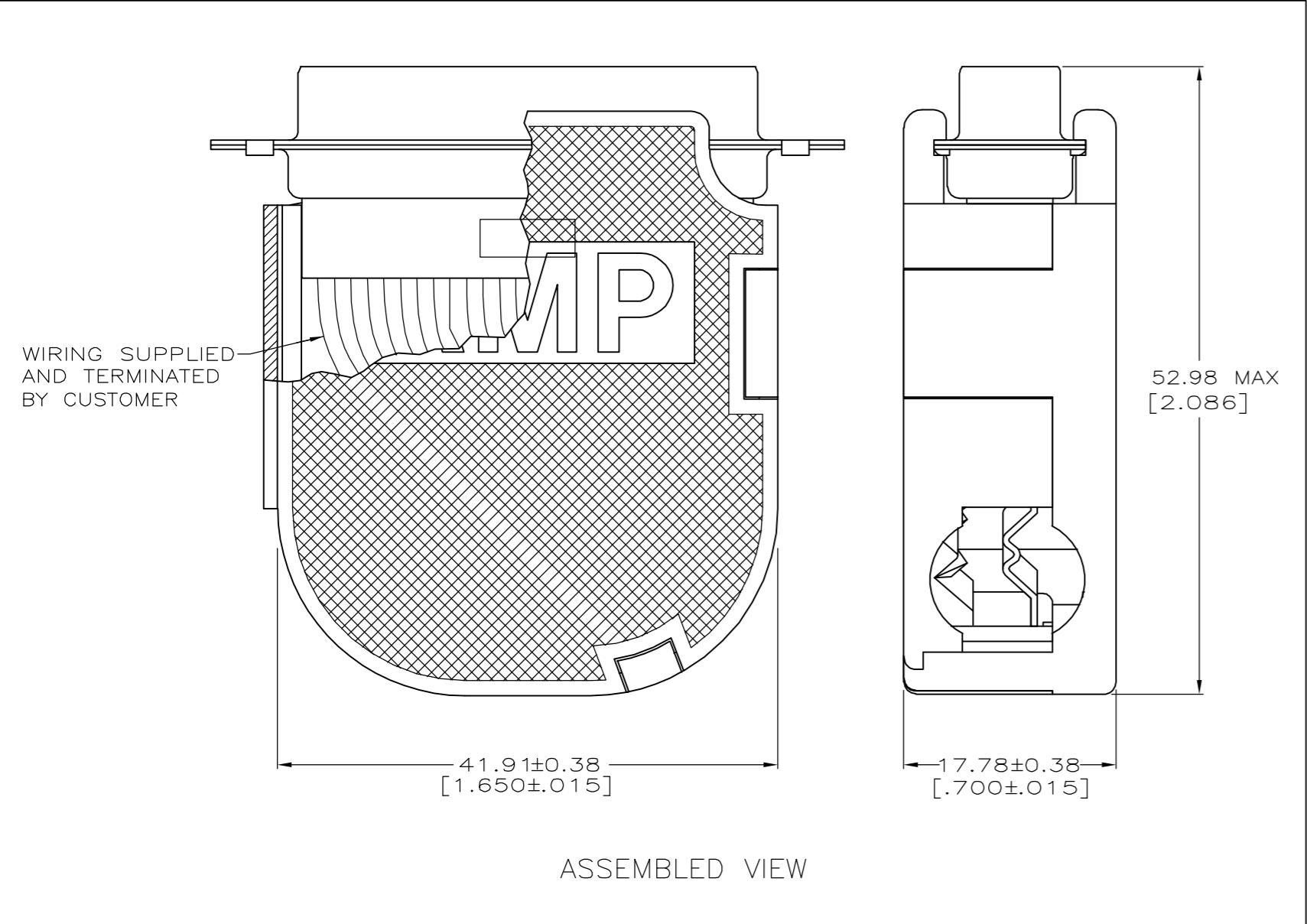
Email & Skype: info@chipsmall.com Web: www.chipsmall.com

Address: A1208, Overseas Decoration Building, #122 Zhenhua RD., Futian, Shenzhen, China

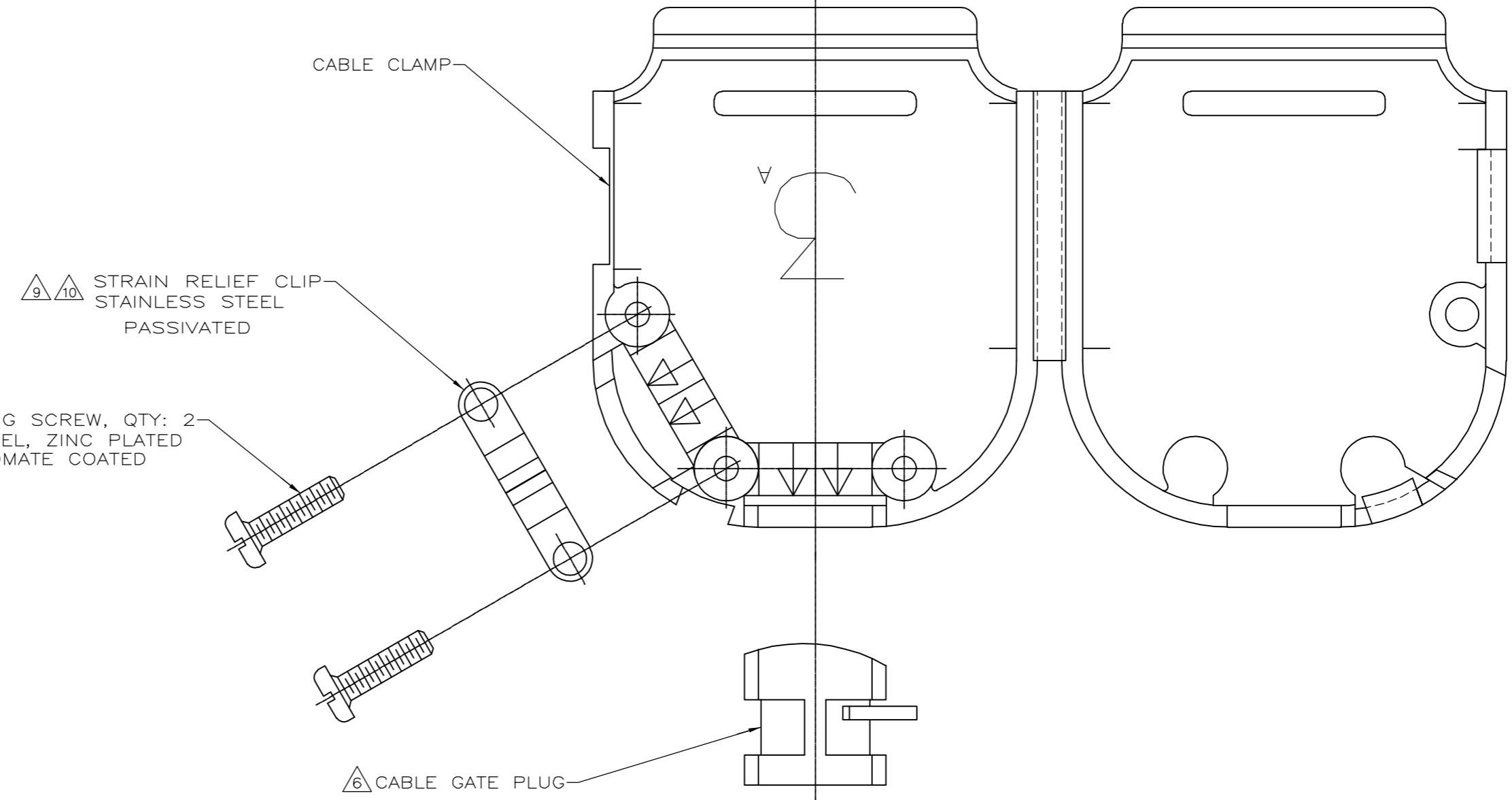


THIS DRAWING IS UNPUBLISHED. RELEASED FOR PUBLICATION  
 © COPYRIGHT BY TYCO ELECTRONICS CORPORATION. ALL RIGHTS RESERVED.

LOC		DIST		REVISIONS					
GP		00		P	LTR	DESCRIPTION	DATE	DWN	APVD
				A		REVISED PER EC 0S13-0266-05	18JUL06	BM	CR



- 1. CONTACTS ACCEPT 20-24 AWG RANGE.
  - △ INSERTS: NYLON, GLASS FILLED, UL 94V-0 RATED, BLACK.
  - △ CABLE CLAMP & CABLE GATE PLUG: POLYPROPYLENE, BLACK
  - △ CONTACTS: PHOSPHOR BRONZE.
  - △ SHELLS: CARBON STEEL.
  - △ CABLE GATE PLUG TO BE PLACED IN CABLE EXIT NOT BEING USED.
  - △ CONTACTS: GOLD FLASH FOR A LENGTH OF 2.54[.100] MIN FROM MATING END, 2.54µm[.000100] MIN TIN ON OPPOSITE END FOR A LENGTH OF 4.06 [.160] MIN FROM END OF INSULATION BARREL, BOTH OVER 0.76µm[.000030] MIN NICKEL ON ENTIRE CONTACT.
  - △ SHELLS: 5.08µm[.000200] MIN TIN OVER 2.54µm[.000100] MIN COPPER.
  - △ STRAIN RELIEF CLIP CAN BE REVERSED FOR PROPER INSTALLATION, DEPENDING ON SIZE OF CABLE DIAMETER.
  - △ STRAIN RELIEF CLIP AND SELF TAPPING SCREWS MAY BE USED AT EITHER CABLE EXIT.
11. CABLE DIAMETER RANGE = 4.58-11.68 [.180-.460].



1-749812-1  
PART NO

THIS DRAWING IS A CONTROLLED DOCUMENT.		DWN 12-22-04 G. ATTADIA - DOCK5	<b>tyco</b> Electronics	Tyco Electronics Corporation Harrisburg, Pa 17105-3608	
DIMENSIONS: mm(INCHES)		CHK 12-22-04 J. GERACE		NAME RECEPTACLE KIT, UNASSEMBLED, SIZE 3, 25 POSITION, AMPLIMITE HDP-20	
TOLERANCES UNLESS OTHERWISE SPECIFIED: 0 PLC ± - 1 PLC ± - 2 PLC ± 0.13 [.005] 3 PLC ± - 4 PLC ± - ANGLES ± -		APVD 12-22-04 M. WALMSLEY	PRODUCT SPEC 108-40005		
MATERIAL △△△△△		FINISH △△	APPLICATION SPEC 114-10000 & 114-40030	SIZE A2	CAGE CODE 00779
			WEIGHT -	DRAWING NO C=1-749812-1	RESTRICTED TO -
			CUSTOMER DRAWING	SCALE 3:1	SHEET 1 OF 1 REV A