



Chipsmall Limited consists of a professional team with an average of over 10 year of expertise in the distribution of electronic components. Based in Hongkong, we have already established firm and mutual-benefit business relationships with customers from,Europe,America and south Asia,supplying obsolete and hard-to-find components to meet their specific needs.

With the principle of "Quality Parts,Customers Priority,Honest Operation,and Considerate Service",our business mainly focus on the distribution of electronic components. Line cards we deal with include Microchip,ALPS,ROHM,Xilinx,Pulse,ON,Everlight and Freescale. Main products comprise IC,Modules,Potentiometer,IC Socket,Relay,Connector.Our parts cover such applications as commercial,industrial, and automotives areas.

We are looking forward to setting up business relationship with you and hope to provide you with the best service and solution. Let us make a better world for our industry!



Contact us

Tel: +86-755-8981 8866 Fax: +86-755-8427 6832

Email & Skype: info@chipsmall.com Web: www.chipsmall.com

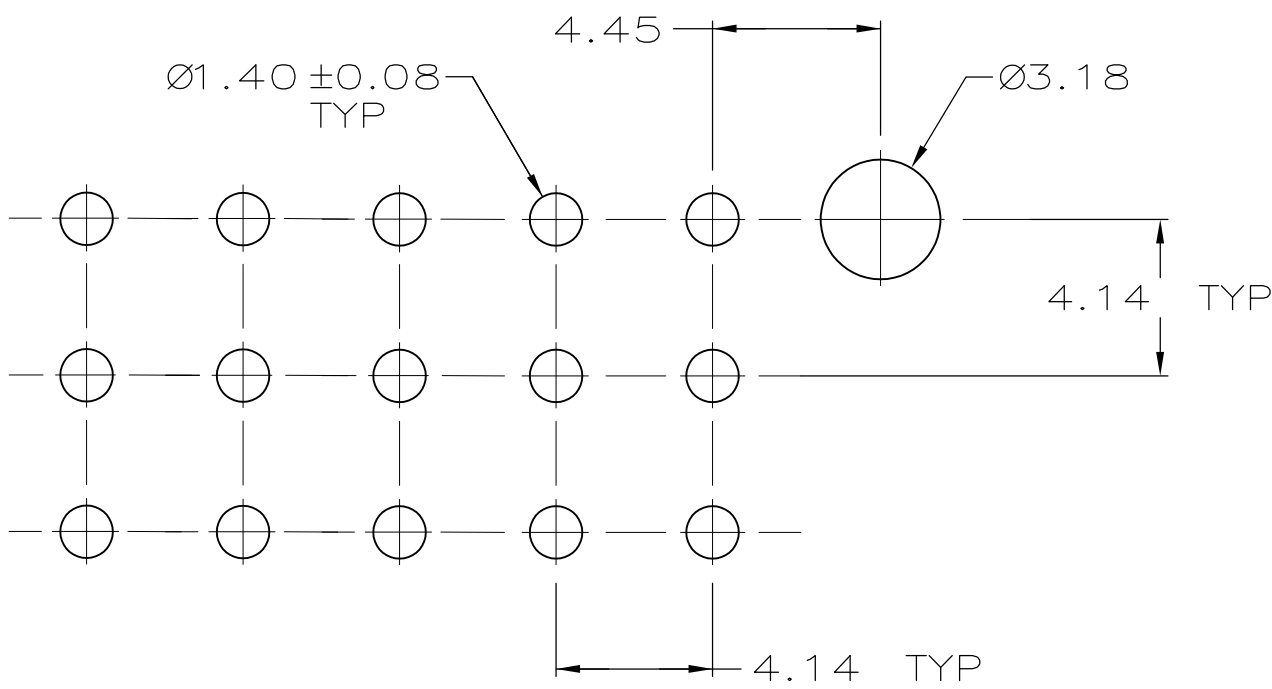
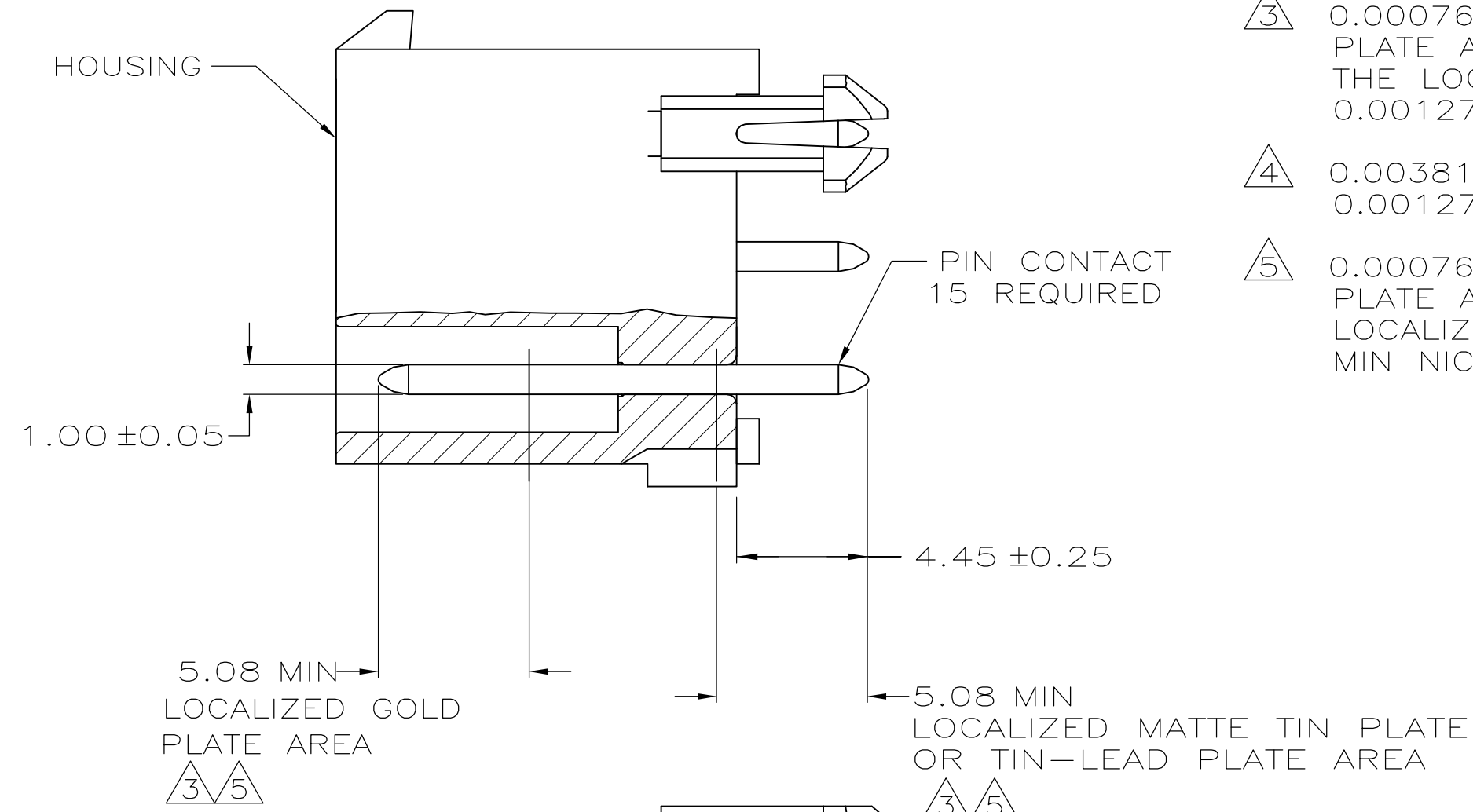
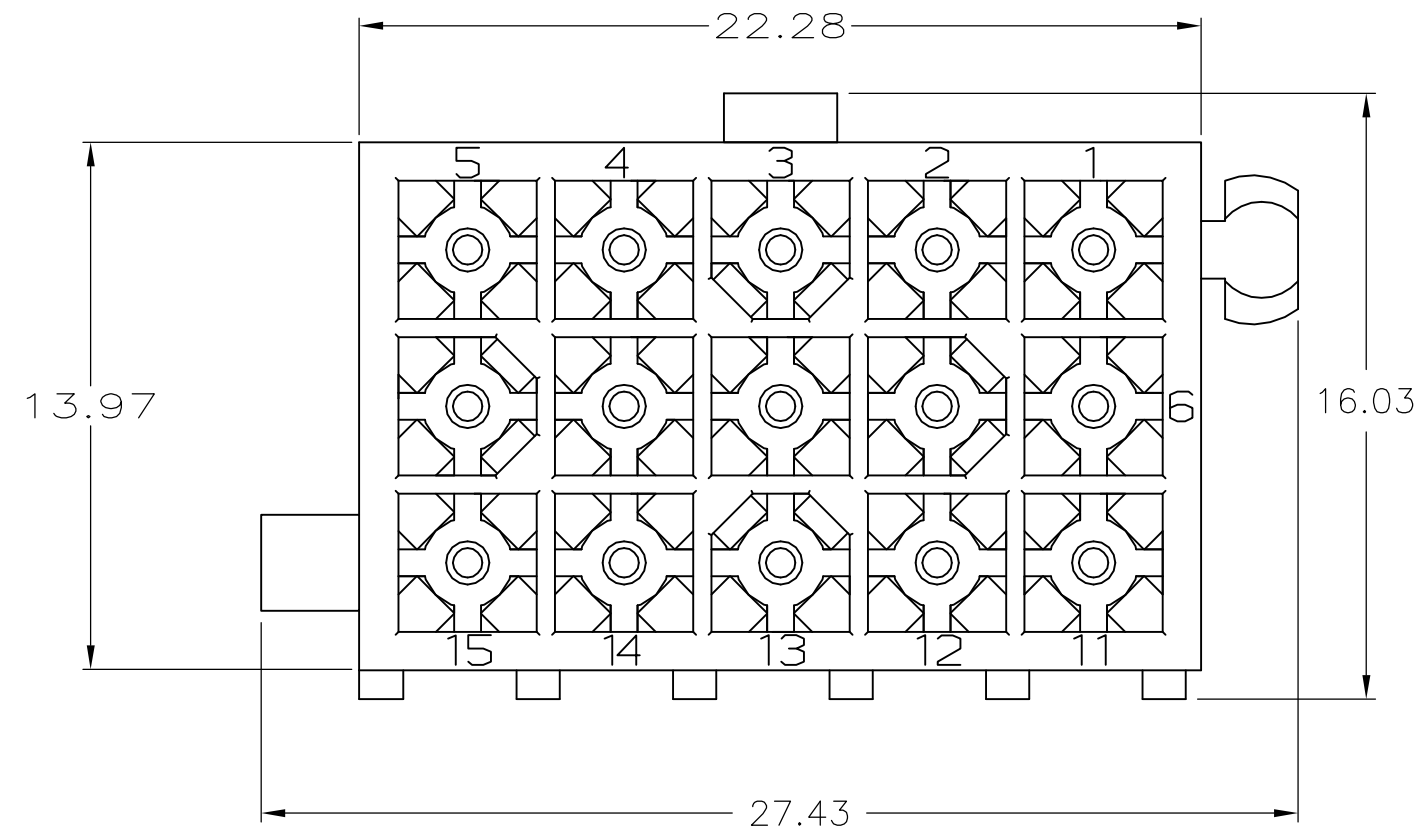
Address: A1208, Overseas Decoration Building, #122 Zhenhua RD., Futian, Shenzhen, China



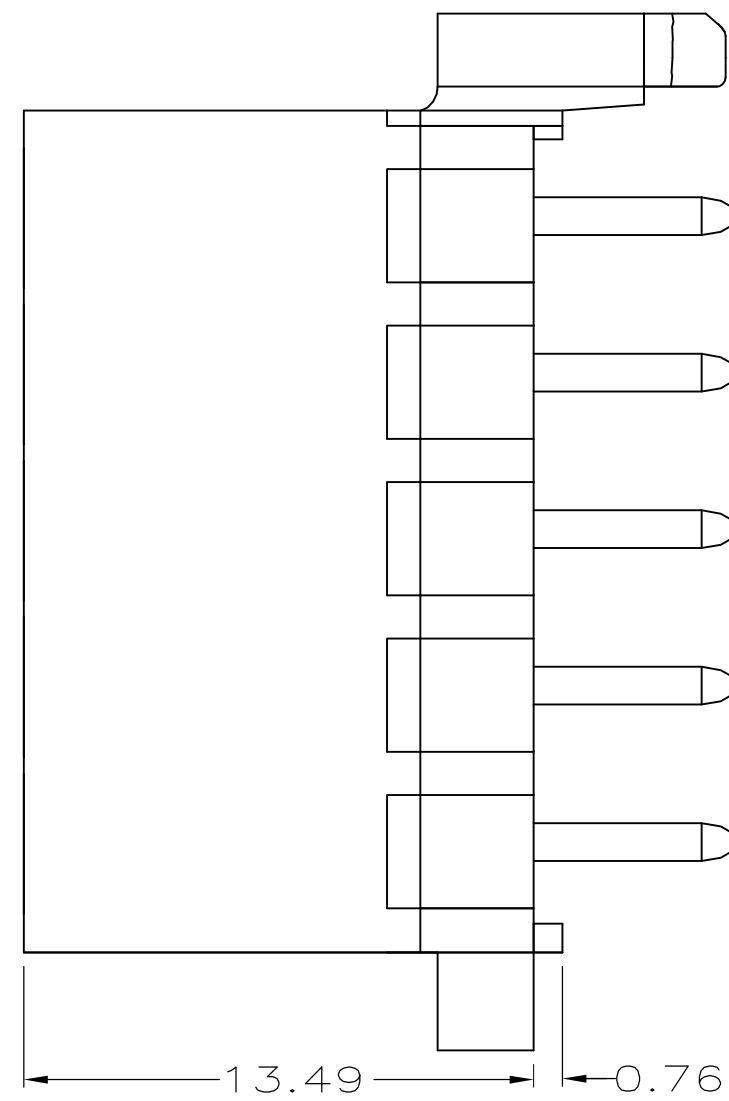
THIS DRAWING IS UNPUBLISHED. RELEASED FOR PUBLICATION
 © COPYRIGHT - By - ALL RIGHTS RESERVED.

LOC	DIST	REVISIONS					
		P	LTR	DESCRIPTION	DATE	DWN	APVD
CM	0	M1		REVISED PER ECO-11-005027	11MAR11	RK	HMR

- PINS TO COMPLY WITH AMP SOLDERABILITY SPEC. 109-11-3.
- 0.00381 MIN MATTE TIN LEAD PLATE OVER 0.00127 MIN NICKEL.
- 0.00076 MIN GOLD PLATE IN THE LOCALIZED PLATE AREA, 0.00381 MATTE TIN LEAD IN THE LOCALIZED PLATE AREA, BOTH OVER 0.00127 MIN NICKEL.
- 0.00381 MIN MATTE TIN PLATE OVER 0.00127 MIN NICKEL.
- 0.00076 MIN GOLD PLATE IN THE LOCALIZED PLATE AREA, 0.00381 MATTE TIN IN THE LOCALIZED PLATE AREA, BOTH OVER 0.00127 MIN NICKEL.



RECOMMENDED LAYOUT FOR 1.57 THICK BOARD
 TOLERANCES NON-ACCUMULATIVE



BRASS, GOLD	5	NYLON, UL94V-0	WHITE	1-770190-1
BRASS, TIN	4	NYLON, UL94V-0	WHITE	1-770190-0
BRASS, GOLD	3	NYLON, UL94V-0	WHITE	770190-2
BRASS, TIN-LEAD	2	NYLON, UL94V-0	WHITE	770190-1
MATERIAL	FINISH	MATERIAL	COLOR	PART NO.

DIMENSIONS:		TOLERANCES UNLESS OTHERWISE SPECIFIED:		PIN		HOUSING	
mm		0 PLC	± -	DWN	S CARPENTER	08JUN05	
		1 PLC	± -	CHK	R JONES	6/8/05	
		2 PLC	± 0.13	APVD	R JONES	6/8/05	
		3 PLC	± -	PRODUCT SPEC			
		4 PLC	± -	APPLICATION SPEC			
		ANGLES	± -	WEIGHT			
MATERIAL		FINISH		CUSTOMER DRAWING			

THIS DRAWING IS A CONTROLLED DOCUMENT.		DWN S CARPENTER 08JUN05		TE Connectivity	
		CHK R JONES 6/8/05		NAME	
		APVD R JONES 6/8/05		HEADER ASSEMBLY, 15 CKT, MINI UNIVERSAL MATE-N-LOK	
		PRODUCT SPEC		SIZE CAGE CODE DRAWING NO RESTRICTED TO	
		APPLICATION SPEC		A2 00779 C=770190	
		WEIGHT		SCALE 5:1 SHEET 1 OF 1 REV M1	