



Chipsmall Limited consists of a professional team with an average of over 10 year of expertise in the distribution of electronic components. Based in Hongkong, we have already established firm and mutual-benefit business relationships with customers from,Europe,America and south Asia,supplying obsolete and hard-to-find components to meet their specific needs.

With the principle of “Quality Parts,Customers Priority,Honest Operation,and Considerate Service”,our business mainly focus on the distribution of electronic components. Line cards we deal with include Microchip,ALPS,ROHM,Xilinx,Pulse,ON,Everlight and Freescale. Main products comprise IC,Modules,Potentiometer,IC Socket,Relay,Connector.Our parts cover such applications as commercial,industrial, and automotives areas.

We are looking forward to setting up business relationship with you and hope to provide you with the best service and solution. Let us make a better world for our industry!



## Contact us

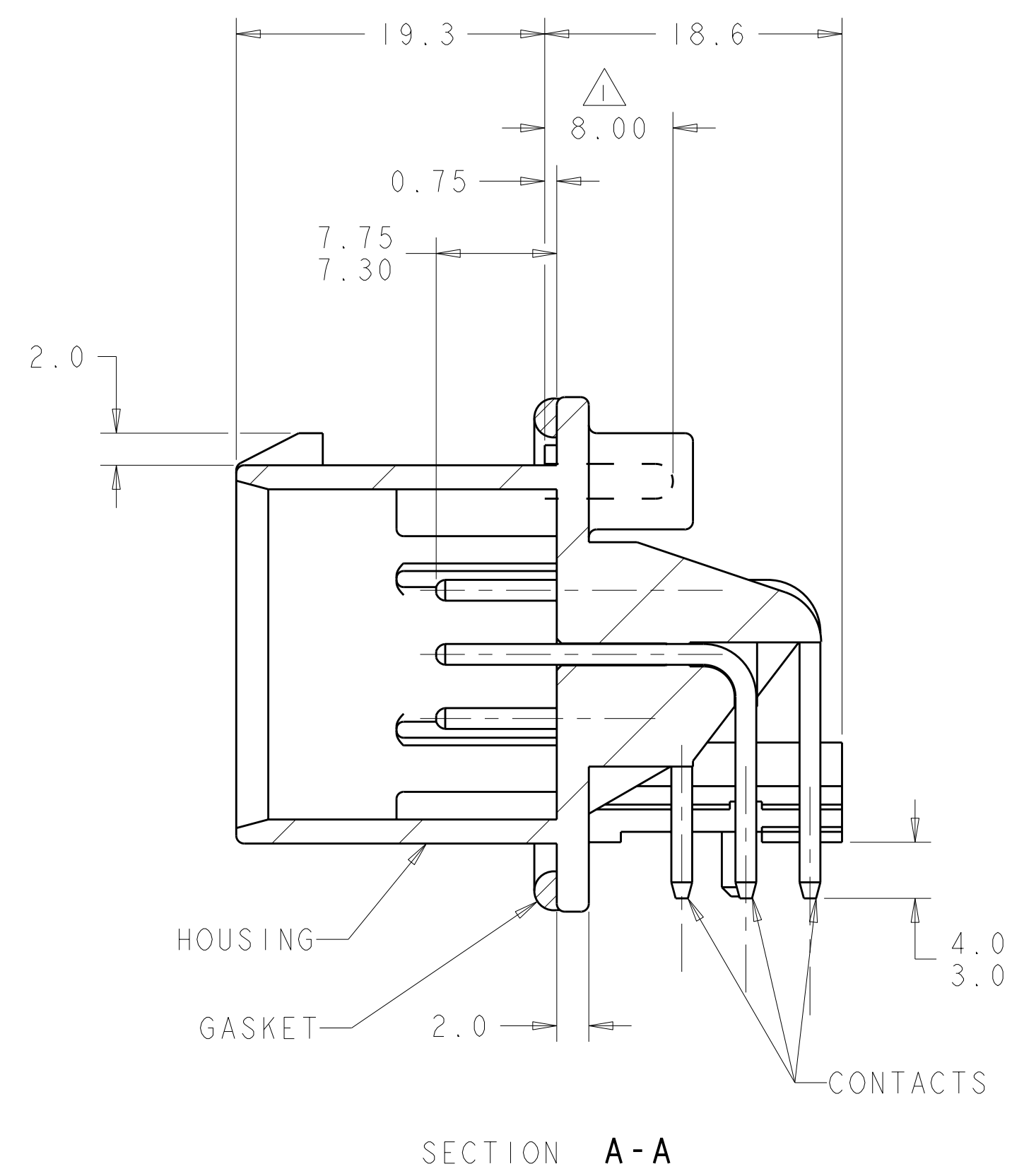
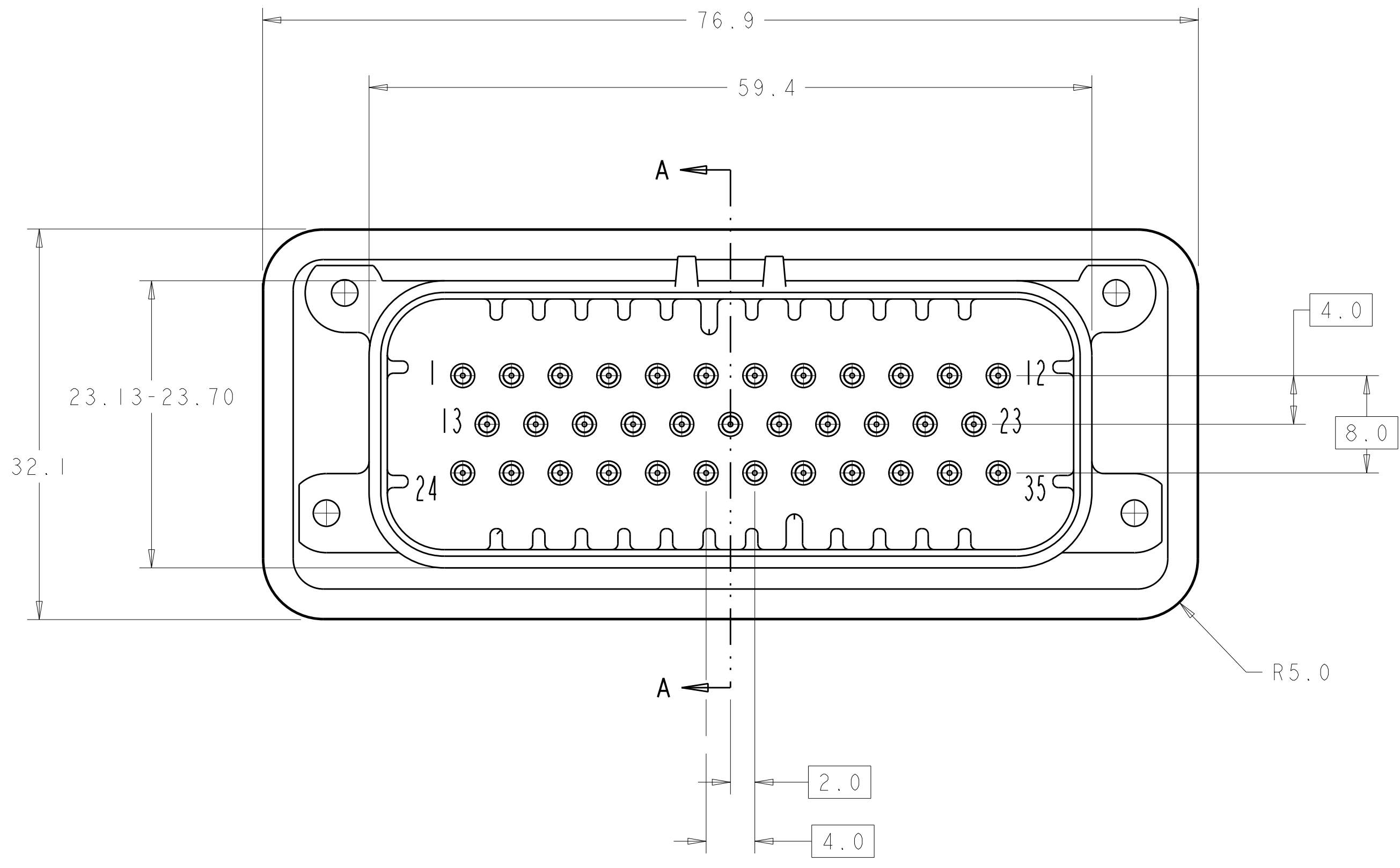
Tel: +86-755-8981 8866 Fax: +86-755-8427 6832

Email & Skype: info@chipsmall.com Web: www.chipsmall.com

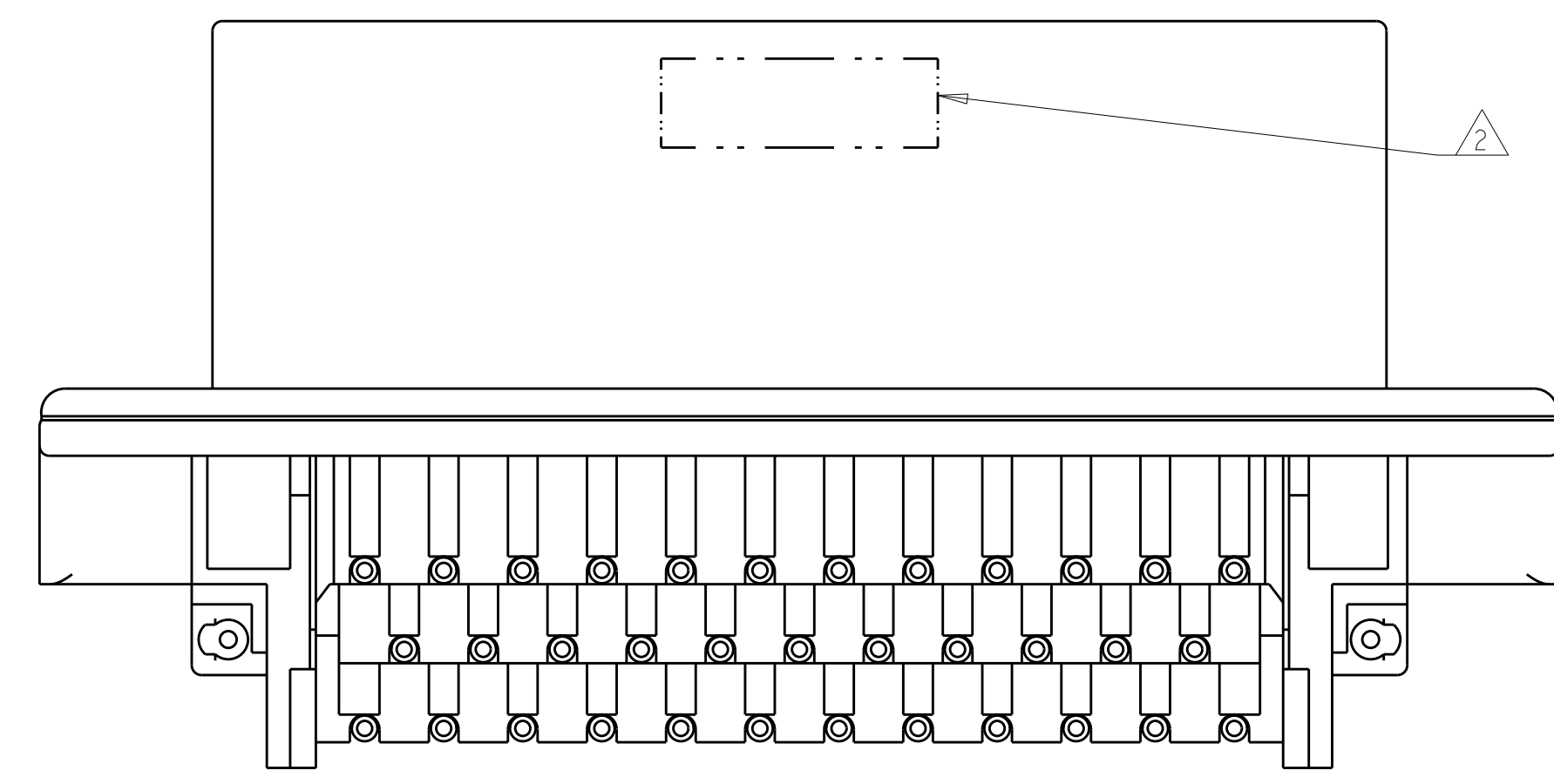
Address: A1208, Overseas Decoration Building, #122 Zhenhua RD., Futian, Shenzhen, China



LOC	DIST	REV	DATE	BY	CHK	APPV
GE	00					
		J3	11MAR2011	RK	HMR	
		J4	29MAY2012	DD	DS	



- 1 ACCEPTS #4 SELF TAPPING THREAD FORMING SCREW OR METRIC EQUIVALENT TO BE DRIVEN AT 0.6±0.2 N-M.
- 2 DATE CODE IN THIS LOCATION USING 5 DIGIT CODE FIRST 2 DIGITS = YEAR, SECOND 2 DIGITS = WEEK LAST DIGIT = DAY
- 3 HOUSING COLORS ARE MECHANICALLY KEYED TO MATE ONLY WITH IDENTICALLY COLORED PLUG ASSEMBLIES.
- 4 MATERIAL: HEADER HOUSING - GLASS FILLED PBT  
PINS - TIN OR GOLD PLATED BRASS  
GASKET - SILICONE
- 5. HEADER MATES TO PLUG ASSEMBLY 776164 WHICH USES REELED TERMINAL 770520 OR LOOSE PIECE TERMINAL 770854



776163-1 & 1-776163-1  
 KEY LOCATION AS SHOWN

DURAGOLD	ORANGE	1-776163-6
DURAGOLD	BLUE	1-776163-5
DURAGOLD	GRAY	1-776163-4
DURAGOLD	NATURAL (WHITE)	1-776163-2
DURAGOLD	BLACK	1-776163-1
TIN	BLUE	776163-5
TIN	GRAY	776163-4
TIN	NATURAL (WHITE)	776163-2
TIN	BLACK	776163-1
FINISH	HEADER COLOR	PART NUMBER

THIS DRAWING IS A CONTROLLED DOCUMENT.

DWN: R. VESTAL 31DEC2002  
 CHK: D. CROWE 31DEC2002  
 APPV: D. CROWE 31DEC2002

DIMENSIONS: mm  
 TOLERANCES UNLESS OTHERWISE SPECIFIED:  
 9 PLC ±  
 3 PLC ±0.3  
 5 PLC ±0.13  
 4 PLC ±  
 ANGLES ±

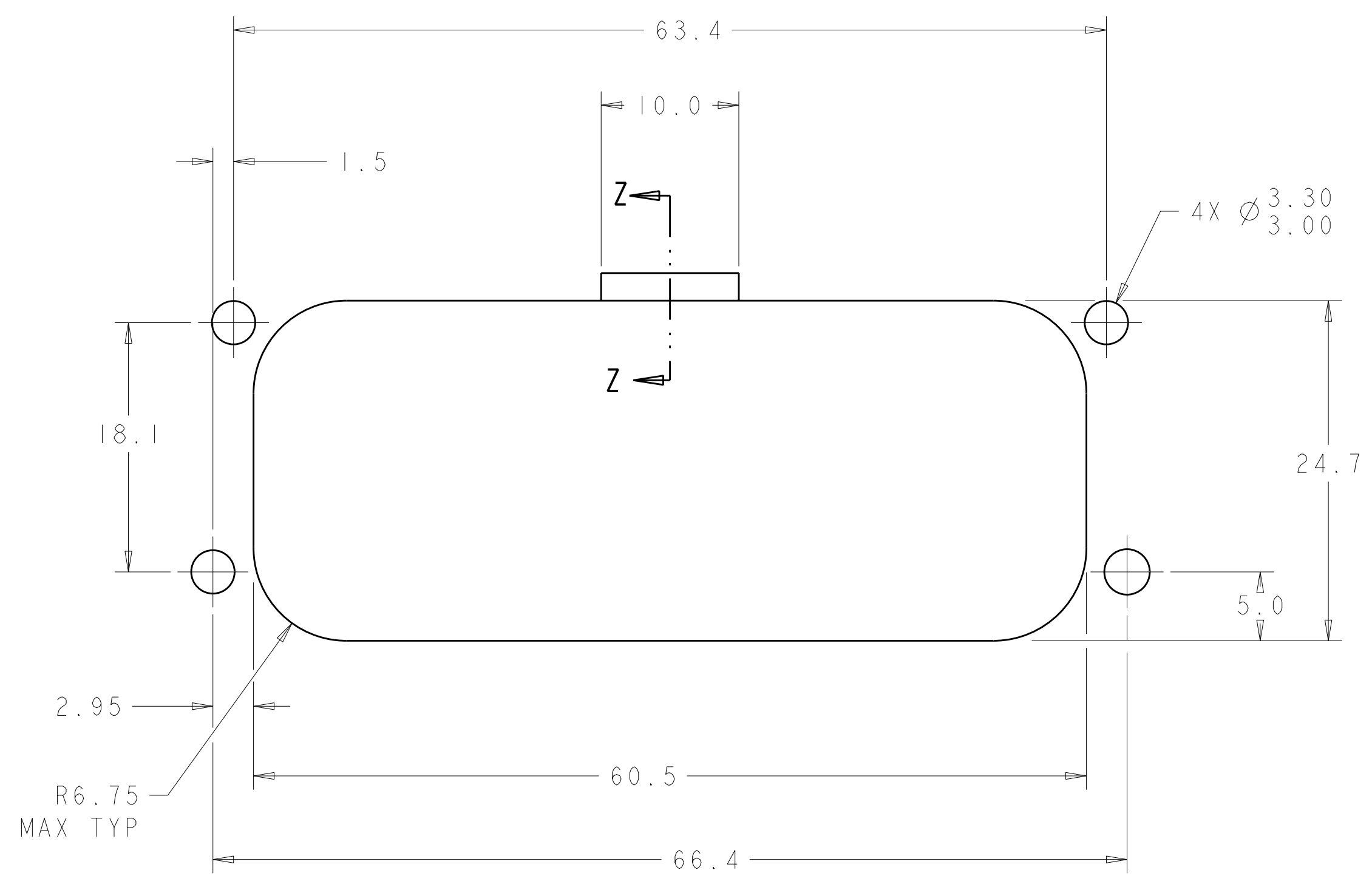
MATERIAL: 4  
 FINISH: 4

PRODUCT SPEC: 108-1329  
 APPLICATION SPEC: 114-16016  
 WEIGHT: -  
 CUSTOMER DRAWING

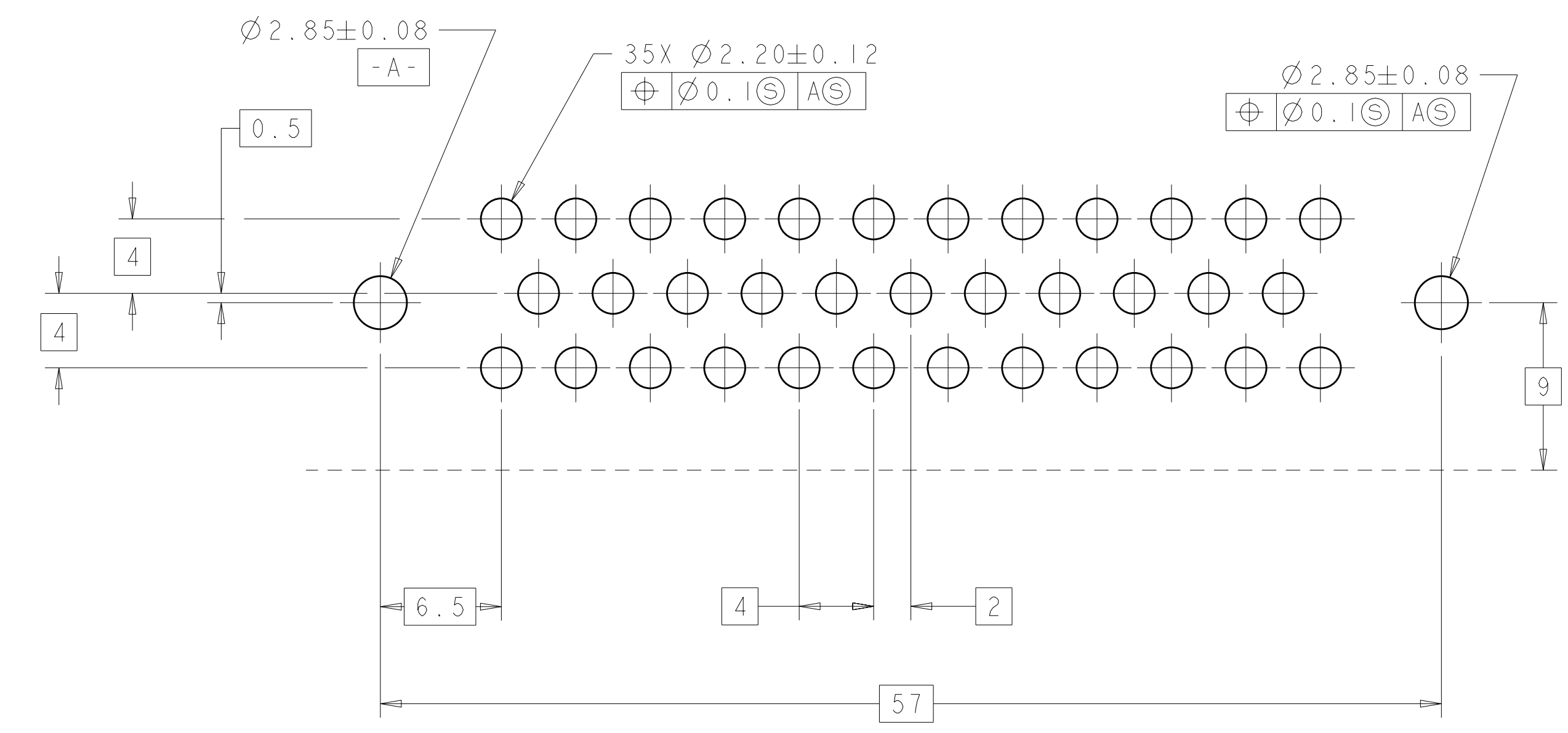
NAME: 35 POSITION, RIGHT ANGLE, AMPSEAL  
 SIZE: A100779  
 CAGE CODE: C=776163  
 DRAWING NO: 114-16016  
 SHEET 1 OF 2  
 REV J4

RESTRICTED TO: -  
 SCALE: 1:1

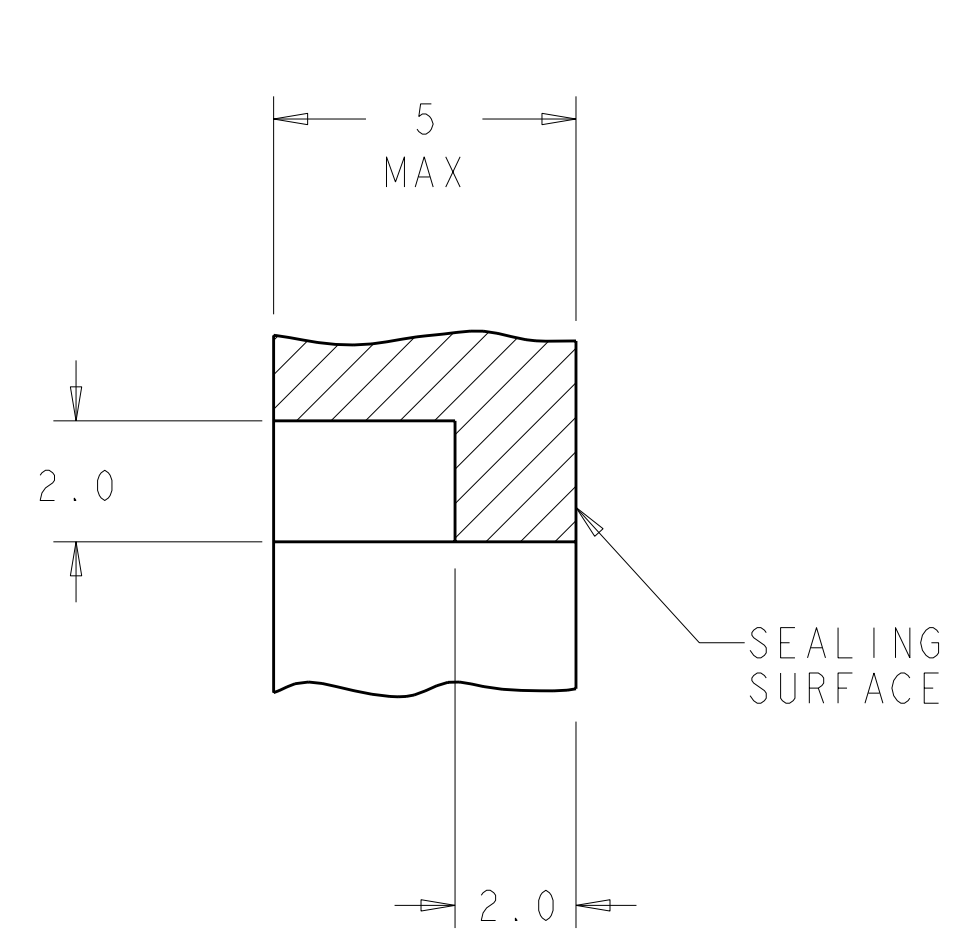
LOC	DIST	REV	DATE	BY	APPD
GE	00				
REVISIONS			DESCRIPTION	DATE	DWN
			SEE SHEET 1		



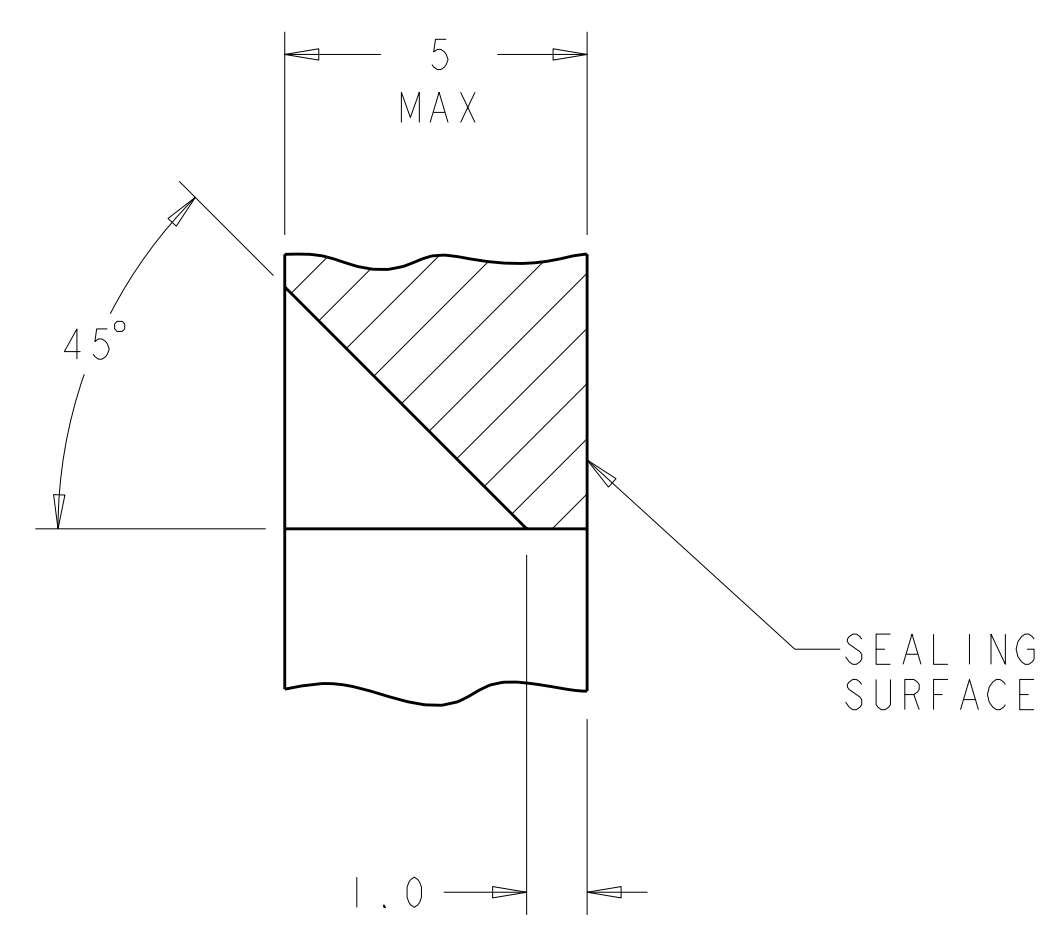
RECOMMENDED MOUNTING HOLE LAYOUT  
 FOR 5.0 MAX THICK PANEL



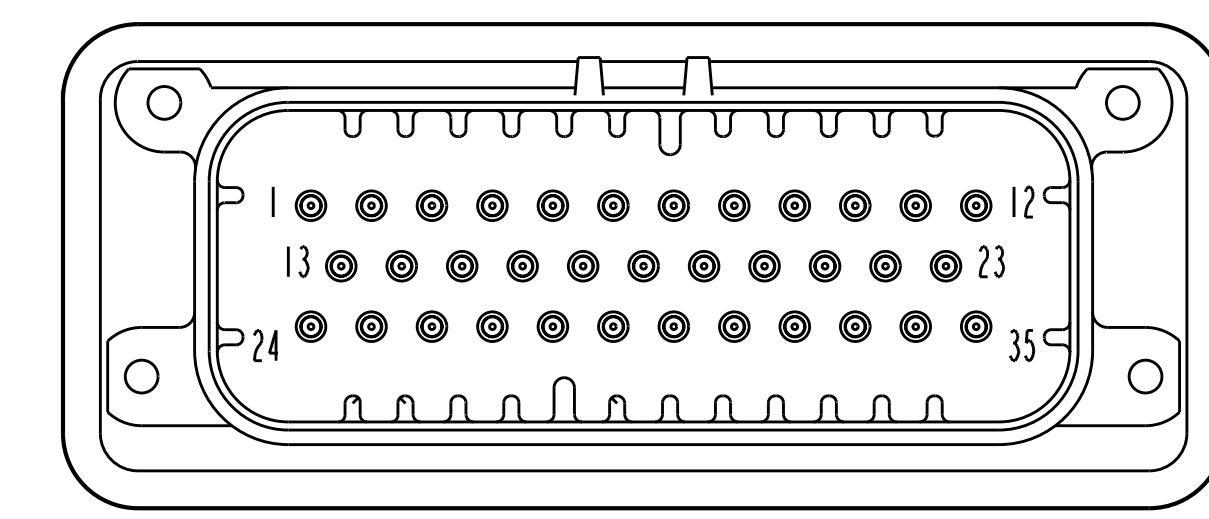
RECOMMENDED P.C. BOARD LAYOUT  
 FOR 1.57 THICK P.C. BOARD



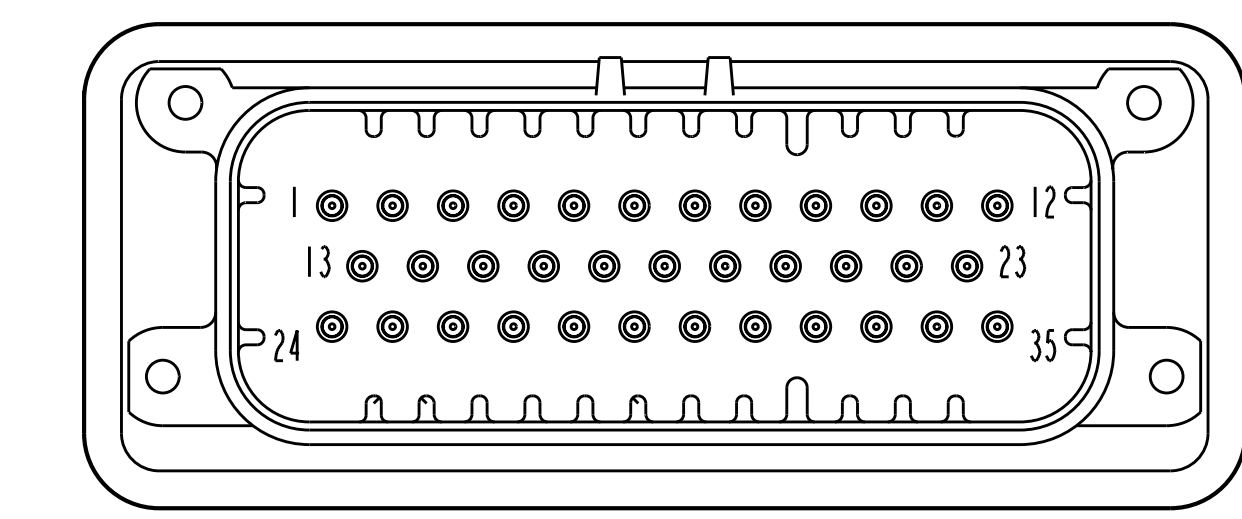
SECTION Z-Z  
 OPTIONAL CONSTRUCTION IF  
 THICKNESS IS GREATER THAN 2.0  
 SCALE 8:1



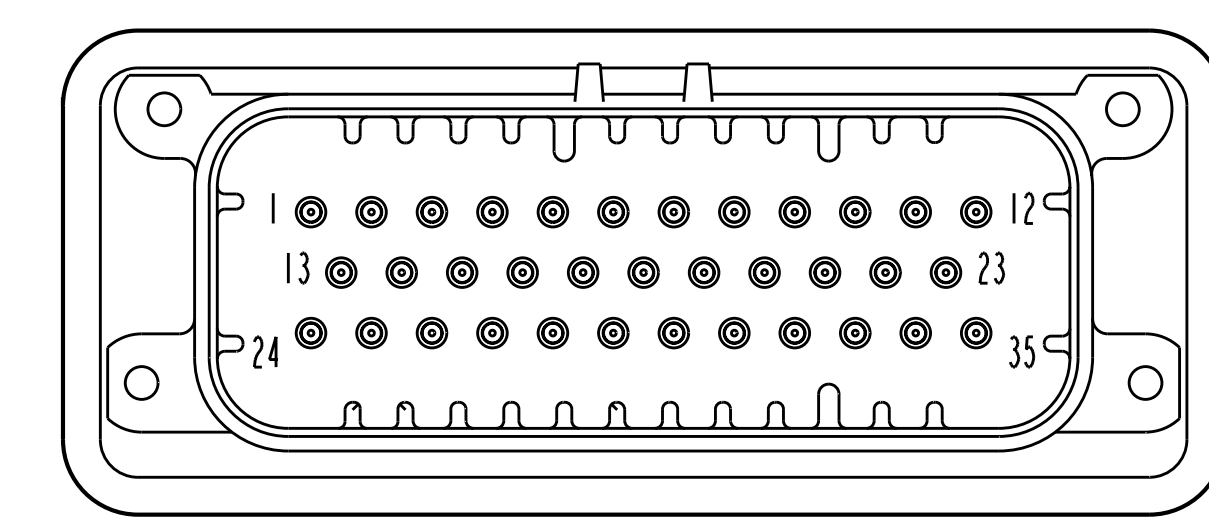
SECTION Z-Z  
 OPTIONAL CONSTRUCTION IF  
 THICKNESS IS GREATER THAN 2.0  
 SCALE 8:1



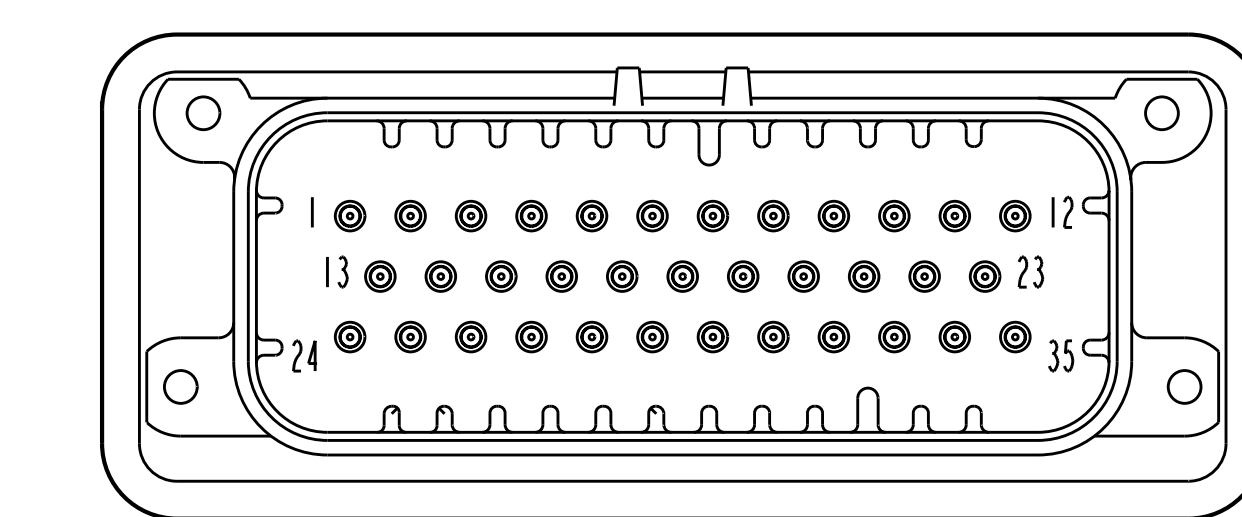
776163-2 & 1-776163-2  
 KEY LOCATION AS SHOWN  
 SCALE 2:1



776163-4 & 1-776163-4  
 KEY LOCATION AS SHOWN  
 SCALE 2:1



776163-5 & 1-776163-5  
 KEY LOCATION AS SHOWN  
 SCALE 2:1



1-776163-6  
 KEY LOCATION AS SHOWN  
 SCALE 2:1

THIS DRAWING IS A CONTROLLED DOCUMENT.		DWN: R. VESTAL 31DEC2002	TE Connectivity
DIMENSIONS: mm		CHK: D. CROWE 31DEC2002	
TOLERANCES UNLESS OTHERWISE SPECIFIED:		APVD: D. CROWE 31DEC2002	NAME: HEADER ASSEMBLY, 35 POSITION, RIGHT ANGLE, AMPSEAL
0 PLC ±	1 PLC ±0.3	PRODUCT SPEC	SIZE: CAGE CODE DRAWING NO
2 PLC ±0.13	3 PLC ±	108-1329	RESTRICTED TO
4 PLC ±	ANGLES ±	APPLICATION SPEC	A100779C-776163
MATERIAL FINISH	114-16016	WEIGHT	SCALE 1:1 SHEET 2 OF 2 REV J4
CUSTOMER DRAWING			