



Chipsmall Limited consists of a professional team with an average of over 10 year of expertise in the distribution of electronic components. Based in Hongkong, we have already established firm and mutual-benefit business relationships with customers from,Europe,America and south Asia,supplying obsolete and hard-to-find components to meet their specific needs.

With the principle of “Quality Parts,Customers Priority,Honest Operation,and Considerate Service”,our business mainly focus on the distribution of electronic components. Line cards we deal with include Microchip,ALPS,ROHM,Xilinx,Pulse,ON,Everlight and Freescale. Main products comprise IC,Modules,Potentiometer,IC Socket,Relay,Connector.Our parts cover such applications as commercial,industrial, and automotives areas.

We are looking forward to setting up business relationship with you and hope to provide you with the best service and solution. Let us make a better world for our industry!



Contact us

Tel: +86-755-8981 8866 Fax: +86-755-8427 6832

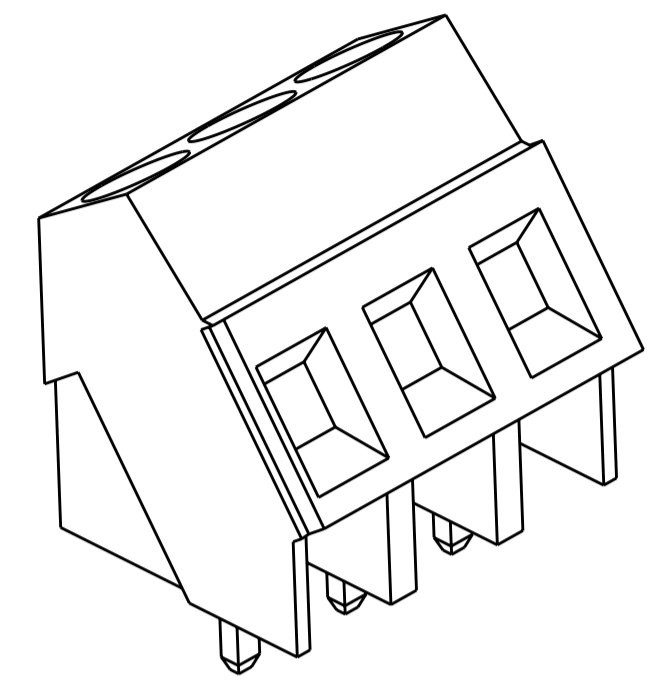
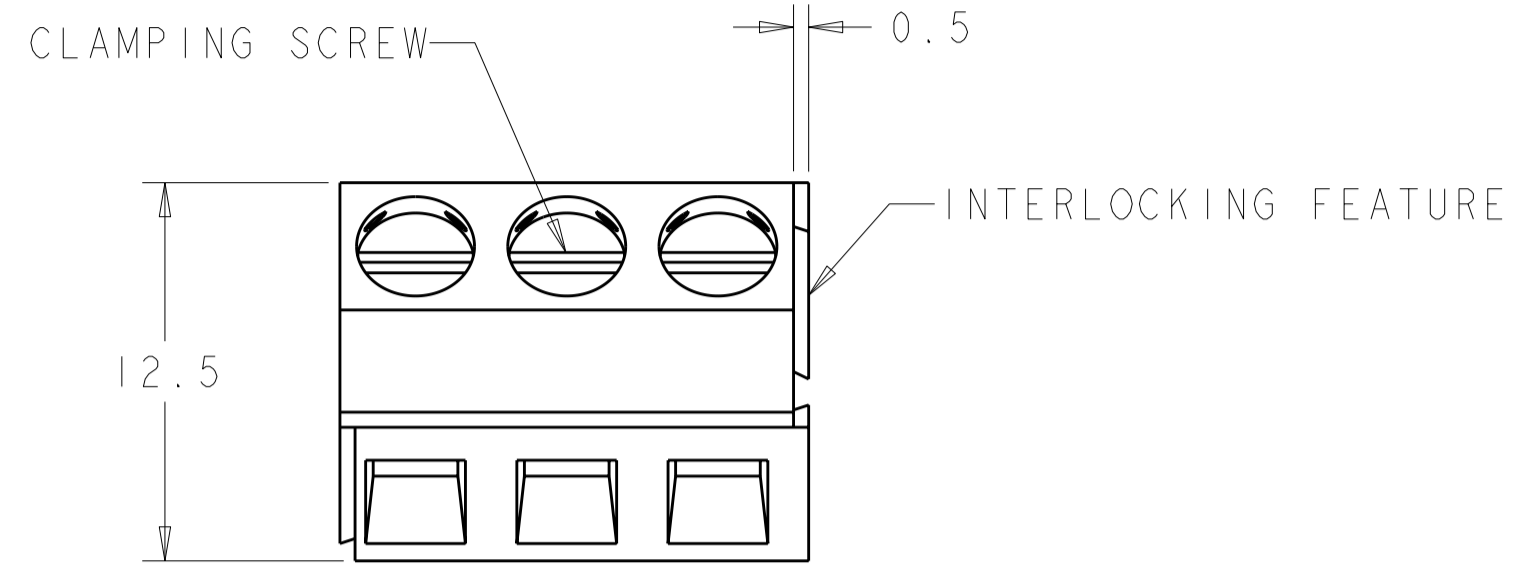
Email & Skype: info@chipsmall.com Web: www.chipsmall.com

Address: A1208, Overseas Decoration Building, #122 Zhenhua RD., Futian, Shenzhen, China

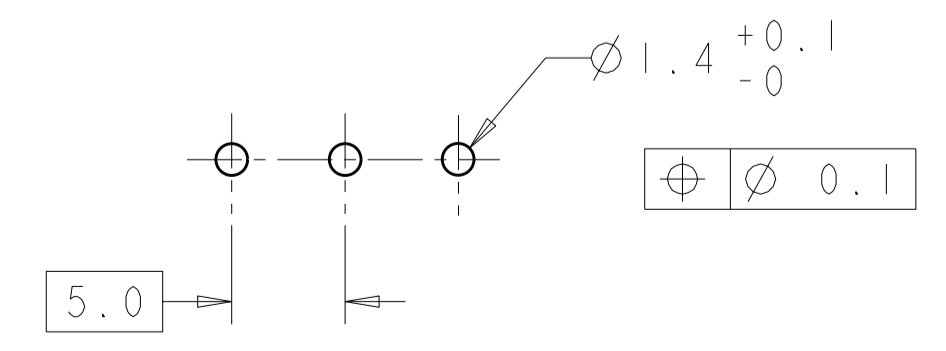
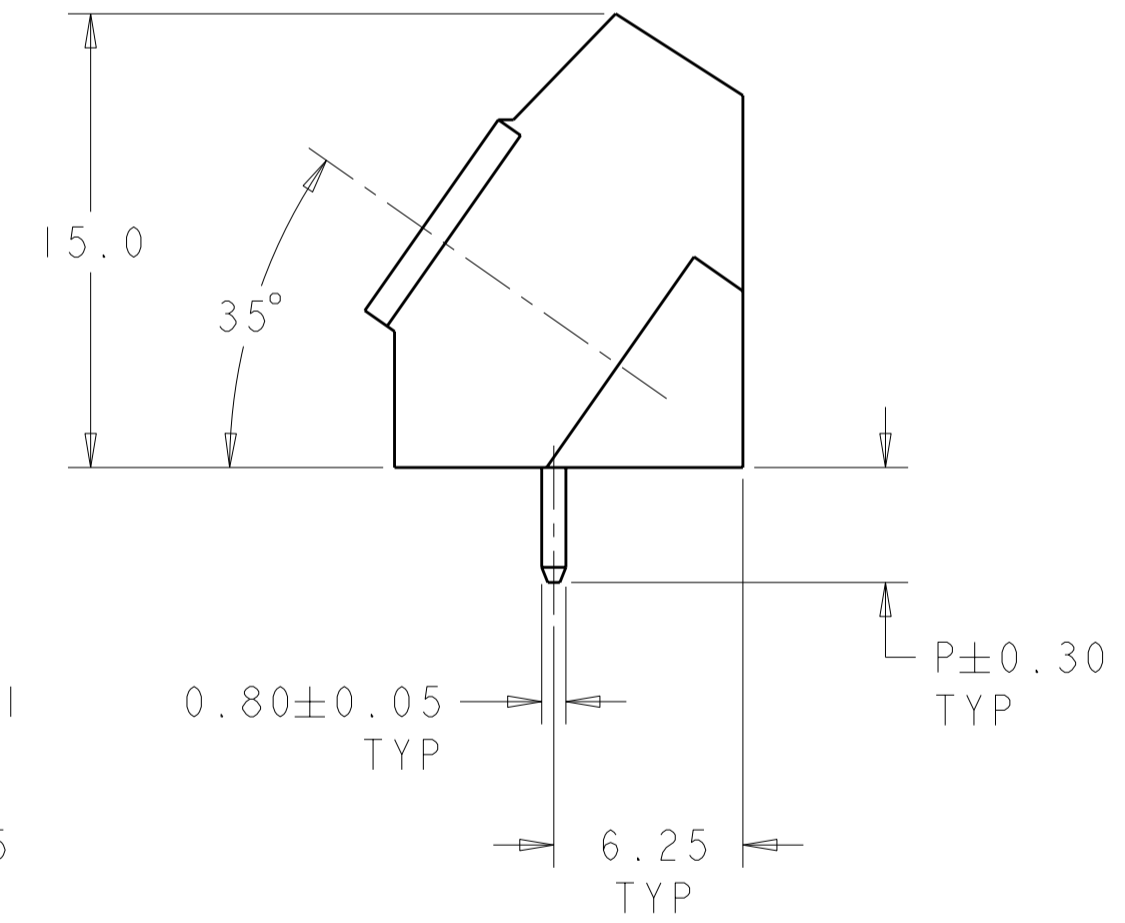
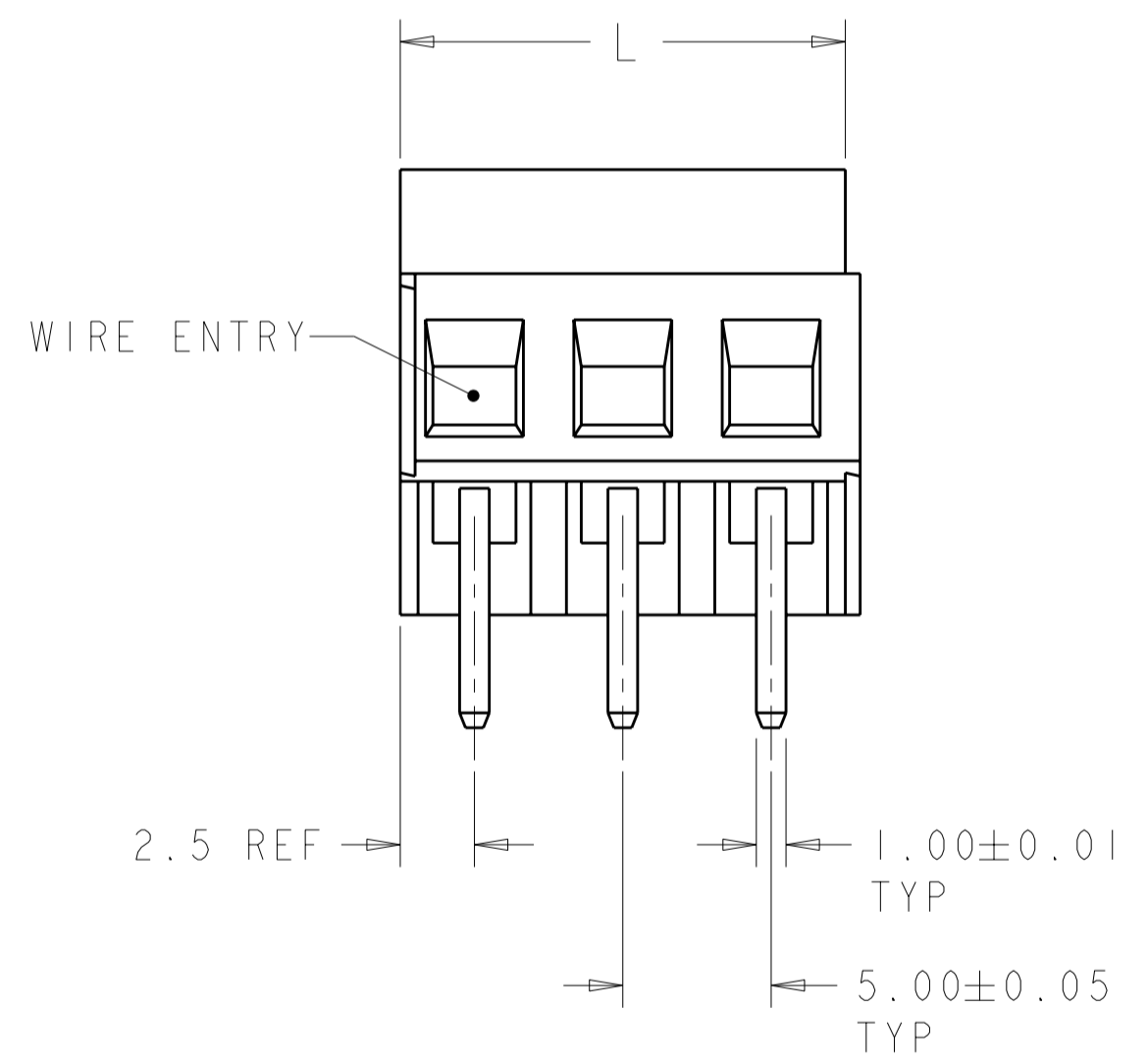


THIS DRAWING IS UNPUBLISHED. RELEASED FOR PUBLICATION 20
 © COPYRIGHT 20 BY - ALL RIGHTS RESERVED.

| LOC | | DIST | | REVISIONS | | | |
|-----|-----|---------------------------|-----------|-----------|------|--|--|
| P | LTR | DESCRIPTION | DATE | DWN | APVD | | |
| | E3 | REVISED PER ECO-11-008211 | 21APR2011 | HMR | CR | | |



796690-3 AS SHOWN



RECOMMENDED PC BOARD LAYOUT

| INK COLOR | MARKING | P | L | NO OF POSN | PART NUMBER |
|-----------|--------------|-----|-----|------------|-------------|
| BLACK | SEE DETAIL J | 3.8 | 10 | 2 | 5-796690-6 |
| BLACK | SEE DETAIL H | 3.8 | 10 | 2 | 5-796690-5 |
| BLACK | SEE DETAIL G | 3.8 | 10 | 2 | 5-796690-4 |
| - | - | 6.0 | 15 | 3 | 5-796690-3 |
| - | - | 6.0 | 10 | 2 | 5-796690-2 |
| 9 | SEE DETAIL B | 3.8 | 10 | 2 | 4-796690-2 |
| 8 | SEE DETAIL F | 3.8 | 40 | 8 | 3-796690-8 |
| 9 | SEE DETAIL C | 3.8 | 15 | 3 | 3-796690-3 |
| - | - | 3.8 | 100 | 20 | 2-796690-0 |
| 9 | SEE DETAIL C | 3.8 | 15 | 3 | 1-796690-9 |
| 9 | SEE DETAIL B | 3.8 | 10 | 2 | 1-796690-8 |
| - | - | 6.0 | 15 | 3 | 1-796690-7 |
| - | - | 6.0 | 10 | 2 | 1-796690-6 |
| 8 | SEE DETAIL E | 3.8 | 25 | 5 | 1-796690-5 |
| 8 | SEE DETAIL D | 3.8 | 20 | 4 | 1-796690-4 |
| 8 | SEE DETAIL A | 3.8 | 10 | 2 | 1-796690-3 |
| - | - | 3.8 | 60 | 12 | 1-796690-2 |
| - | - | 3.8 | 55 | 11 | 1-796690-1 |
| - | - | 3.8 | 50 | 10 | 1-796690-0 |
| - | - | 3.8 | 45 | 9 | 796690-9 |
| - | - | 3.8 | 40 | 8 | 796690-8 |
| - | - | 3.8 | 35 | 7 | 796690-7 |
| - | - | 3.8 | 30 | 6 | 796690-6 |
| - | - | 3.8 | 25 | 5 | 796690-5 |
| - | - | 3.8 | 20 | 4 | 796690-4 |
| - | - | 3.8 | 15 | 3 | 796690-3 |
| - | - | 3.8 | 10 | 2 | 796690-2 |

THIS DRAWING IS A CONTROLLED DOCUMENT.

DWN E. ZANOLINI 14MAR2001
 CHK D. BIEVENOUR 14MAR2001
 APVD D. BIEVENOUR 14MAR2001

PRODUCT SPEC 108-20166
 APPLICATION SPEC 114-20079

MATERIAL - FINISH -

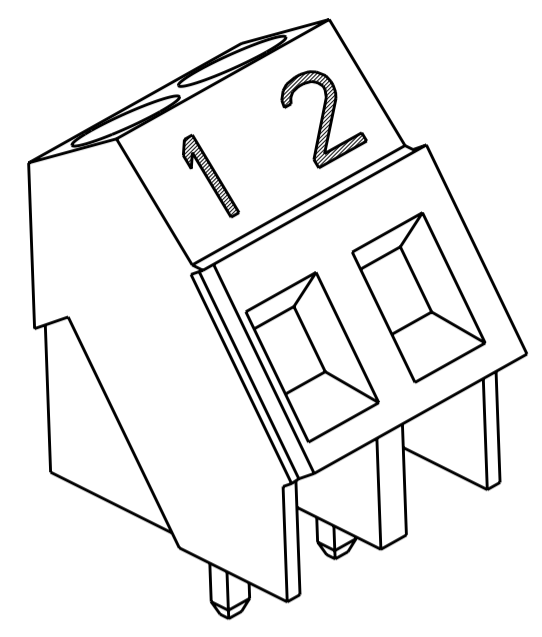
TE Connectivity
 NAME: TERMINAL BLOCK, PCB MOUNT
 ANGLED WIRE ENTRY, STACKING
 W/INTERLOCK, 5mm PITCH

SIZE: A2 CAGE CODE: 00779 DRAWING NO: 796690
 RESTRICTED TO: -

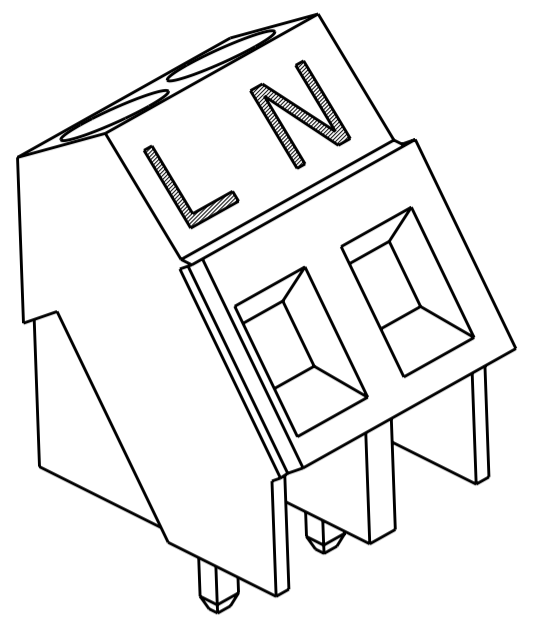
CUSTOMER DRAWING SCALE: 3:1 SHEET 1 OF 2 REV E3

THIS DRAWING IS UNPUBLISHED. RELEASED FOR PUBLICATION 20
 © COPYRIGHT 20 BY - ALL RIGHTS RESERVED.

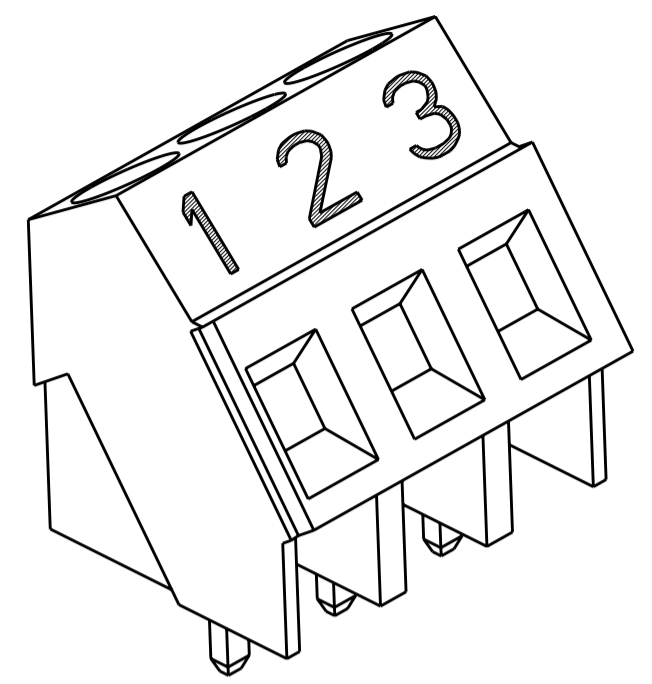
| LOC | DIST | REVISIONS | | | |
|-----|------|-------------|-------------|-----|------|
| P | LTR | DESCRIPTION | DATE | DWN | APVD |
| FT | 0 | - | SEE SHEET 1 | - | - |
| | | | | | |
| | | | | | |



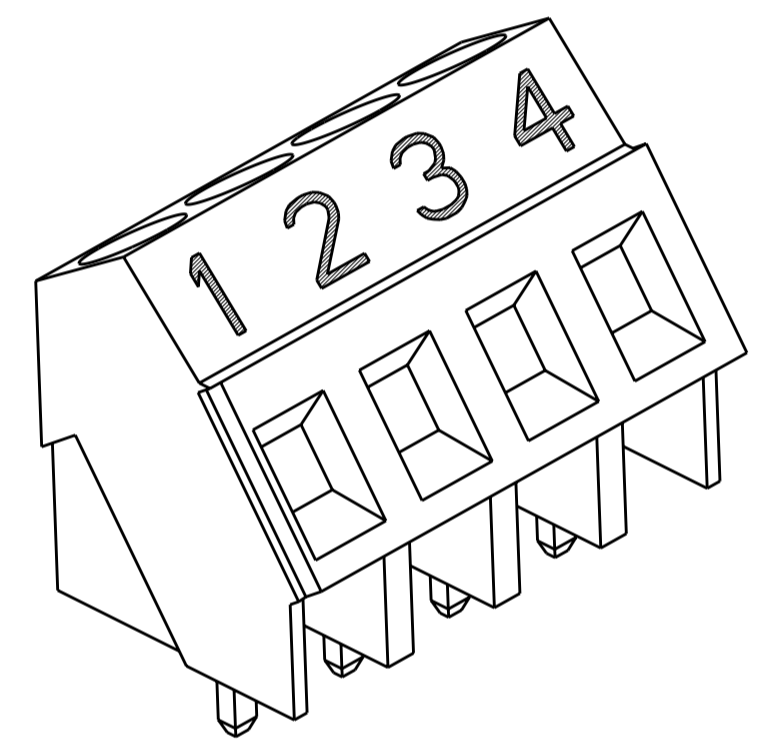
DETAIL A



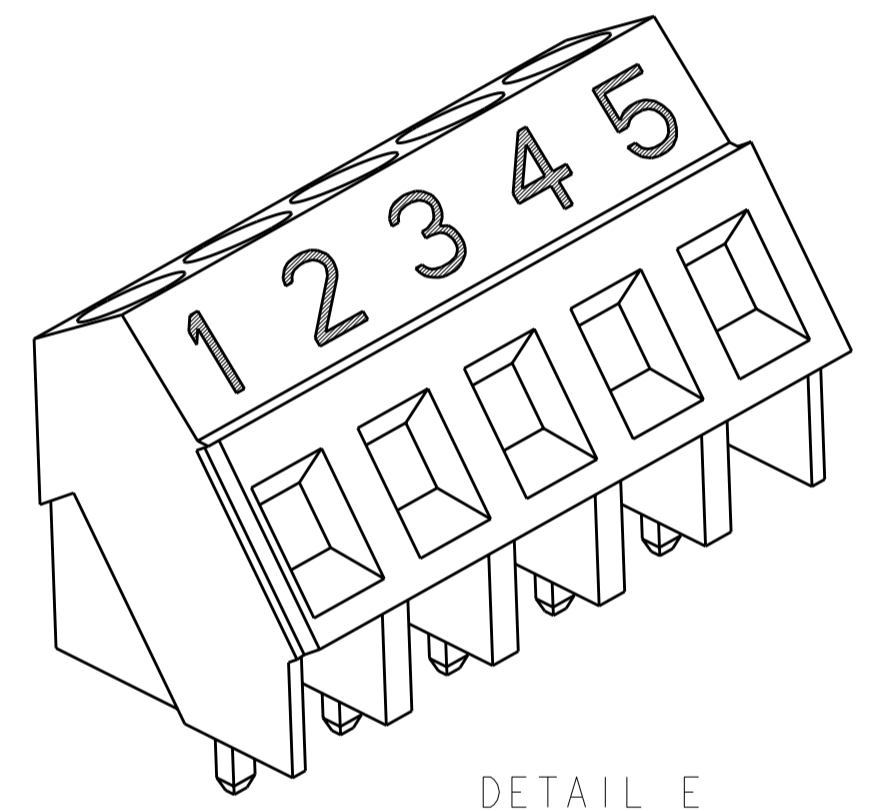
DETAIL B



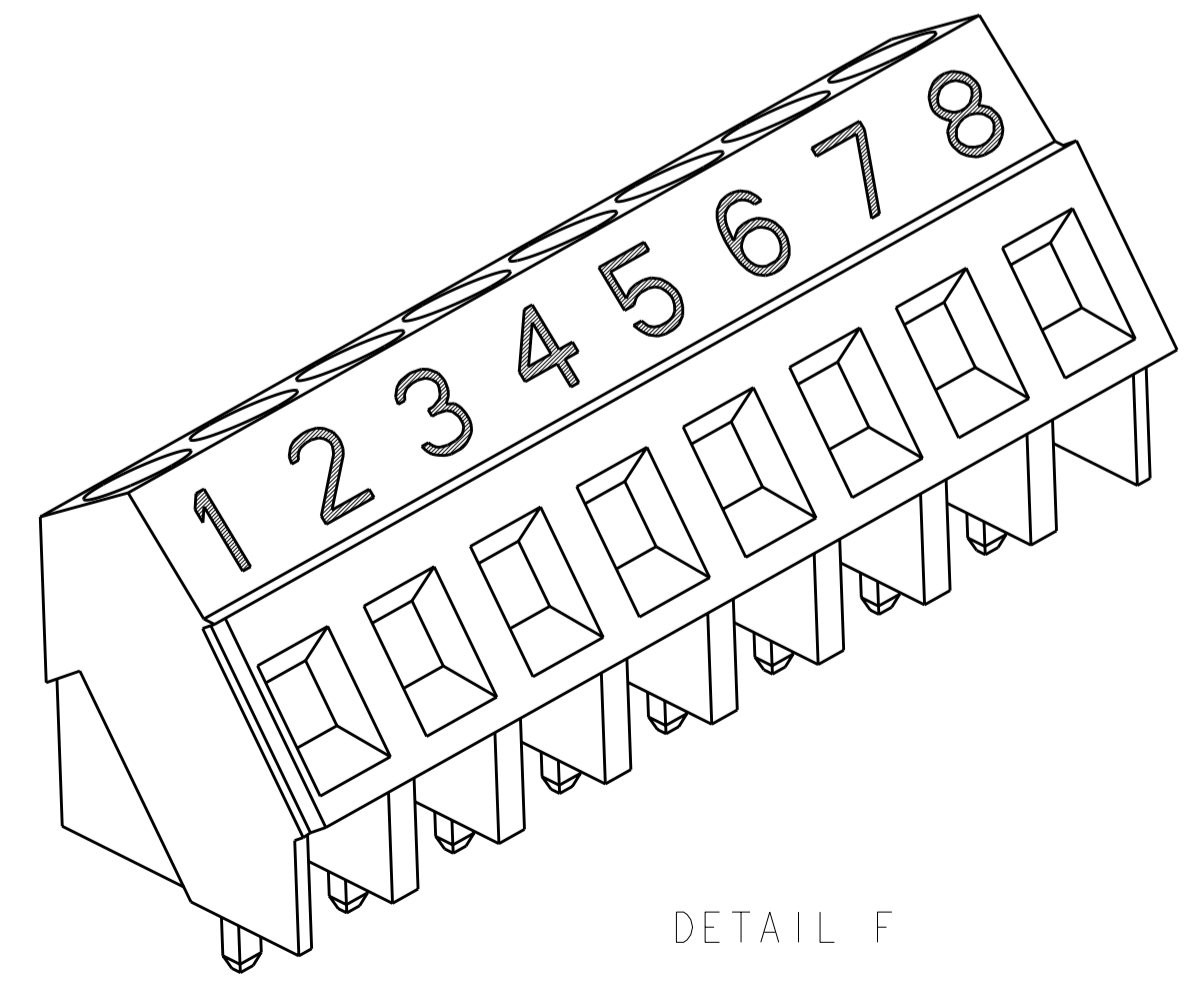
DETAIL C



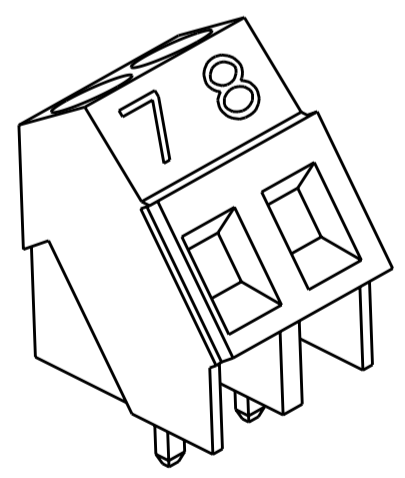
DETAIL D



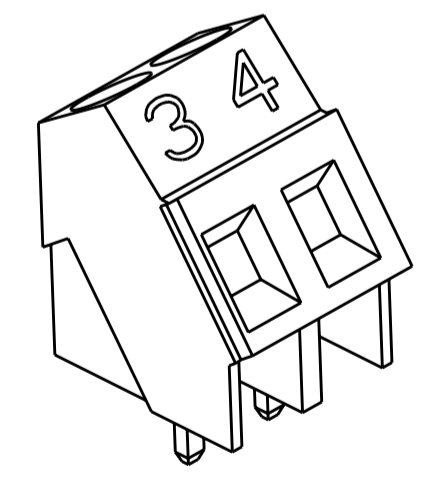
DETAIL E



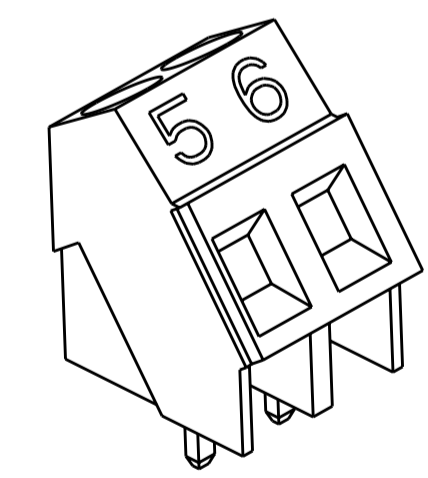
DETAIL F



DETAIL G



DETAIL H



DETAIL J

- 1. MATERIALS AND FINISH:
 HOUSING: PA 6-6, UL 94-V0, COLOR GREEN.
 CLAMP: BRASS, NICKEL PLATED.
 TERMINAL: BRASS, TIN PLATED.
 CLAMPING SCREW: M3, BRASS, NICKEL PLATED.
- 2. SUITABLE FOR 1,6-2,4mm PCB THICKNESS.
- 3. END-TO-END STACKABLE W/INTERLOCK, WITHOUT LOSS OF CENTERLINE SPACING.
- 4. WIRE RANGE: 12-30 AWG.
- 5. RECOGNIZED UNDER THE COMPONENT PROGRAM OF UNDERWRITERS LABORATORIES INC. FILE N° E60677.
- 6. IMO CERTIFICATE WITH SURVEILLANCE IN CONFORMITY WITH IEC 998-1/998-2-1.
- 7. NOT CUMULATIVE TOLERANCE.
- 8. INK MARKED WHITE, UNLESS OTHERWISE SPECIFIED. NUMERICAL SEQUENCE FROM LEFT TO RIGHT.
- 9. INK MARKED BLACK, UNLESS OTHERWISE SPECIFIED. NUMERICAL SEQUENCE FROM LEFT TO RIGHT.
- 10. BUCHANAN LOGO TO APPEAR ON HOUSING, LOCATION OPTIONAL, WHERE SPACE PERMITS.

| | | | | |
|--|--|---------------------------|-------------------------------|--|
| THIS DRAWING IS A CONTROLLED DOCUMENT. | | DWN E. ZANOLINI | 14MAR2001 | STE TE Connectivity |
| DIMENSIONS: mm | | CHK D. BIEVENOUR | 14MAR2001 | |
| TOLERANCES UNLESS OTHERWISE SPECIFIED: | | APVD D. BIEVENOUR | 14MAR2001 | |
| 0 PLC ±- 1 PLC ±.3 2 PLC ±.25 3 PLC ±- 4 PLC ±- ANGLES ±2 FINISH | | PRODUCT SPEC 108-20166 | APPLICATION SPEC 114-20079 | |
| MATERIAL | | WEIGHT | - | NAME TERMINAL BLOCK, PCB MOUNT ANGLED WIRE ENTRY, STACKING W/INTERLOCK, 5mm PITCH |
| MATERIAL | | CUSTOMER DRAWING | | SIZE A2 |
| | | | | CAGE CODE 200779 |
| | | | | DRAWING NO G-796690 |
| | | | | RESTRICTED TO - |
| | | | | SCALE 3:1 |
| | | | | SHEET 2 |
| | | | | OF 2 |
| | | | | REV E3 |