



Chipsmall Limited consists of a professional team with an average of over 10 year of expertise in the distribution of electronic components. Based in Hongkong, we have already established firm and mutual-benefit business relationships with customers from,Europe,America and south Asia,supplying obsolete and hard-to-find components to meet their specific needs.

With the principle of “Quality Parts,Customers Priority,Honest Operation,and Considerate Service”,our business mainly focus on the distribution of electronic components. Line cards we deal with include Microchip,ALPS,ROHM,Xilinx,Pulse,ON,Everlight and Freescale. Main products comprise IC,Modules,Potentiometer,IC Socket,Relay,Connector.Our parts cover such applications as commercial,industrial, and automotives areas.

We are looking forward to setting up business relationship with you and hope to provide you with the best service and solution. Let us make a better world for our industry!



## Contact us

Tel: +86-755-8981 8866 Fax: +86-755-8427 6832

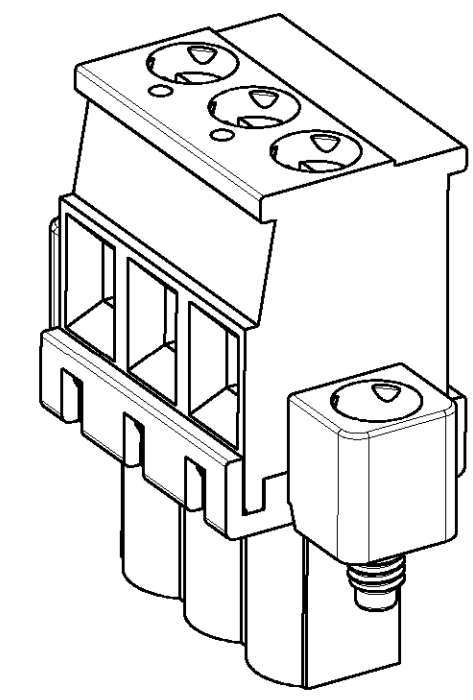
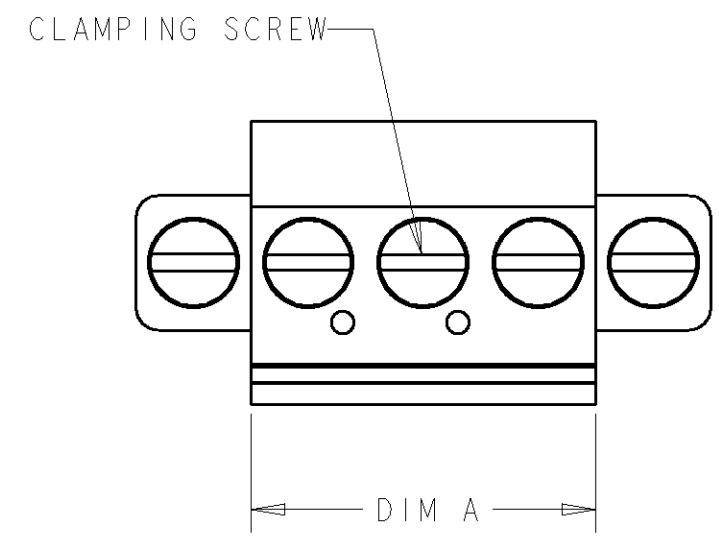
Email & Skype: info@chipsmall.com Web: www.chipsmall.com

Address: A1208, Overseas Decoration Building, #122 Zhenhua RD., Futian, Shenzhen, China



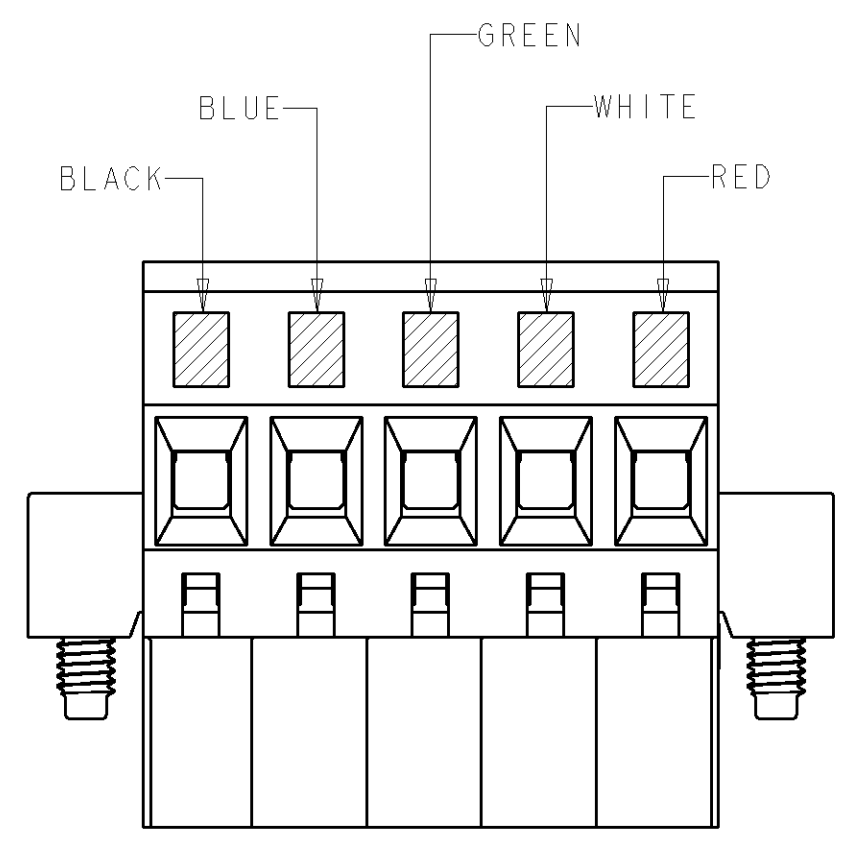
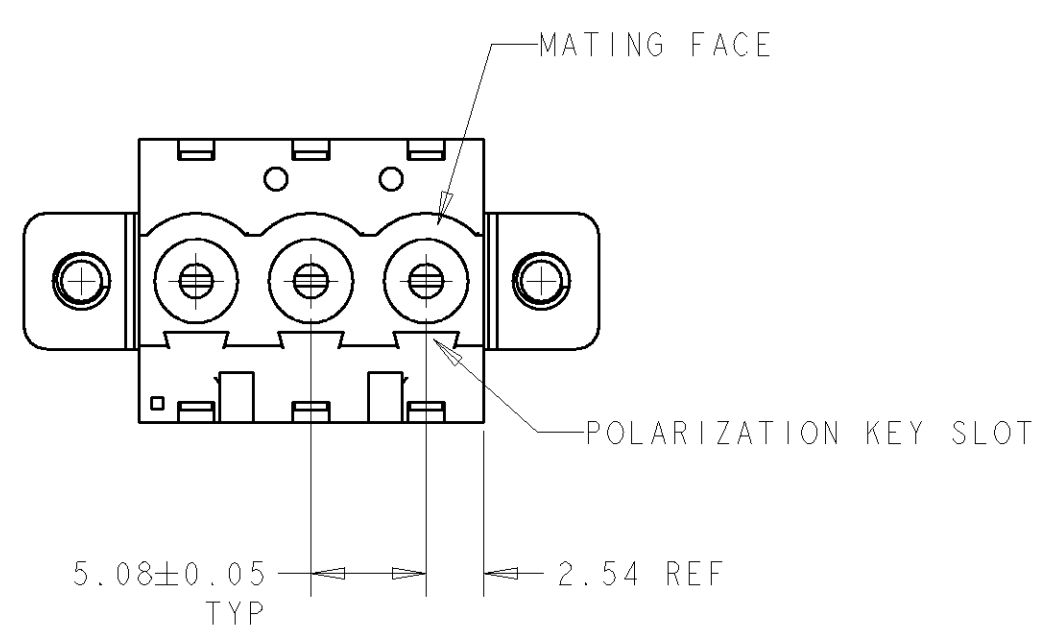
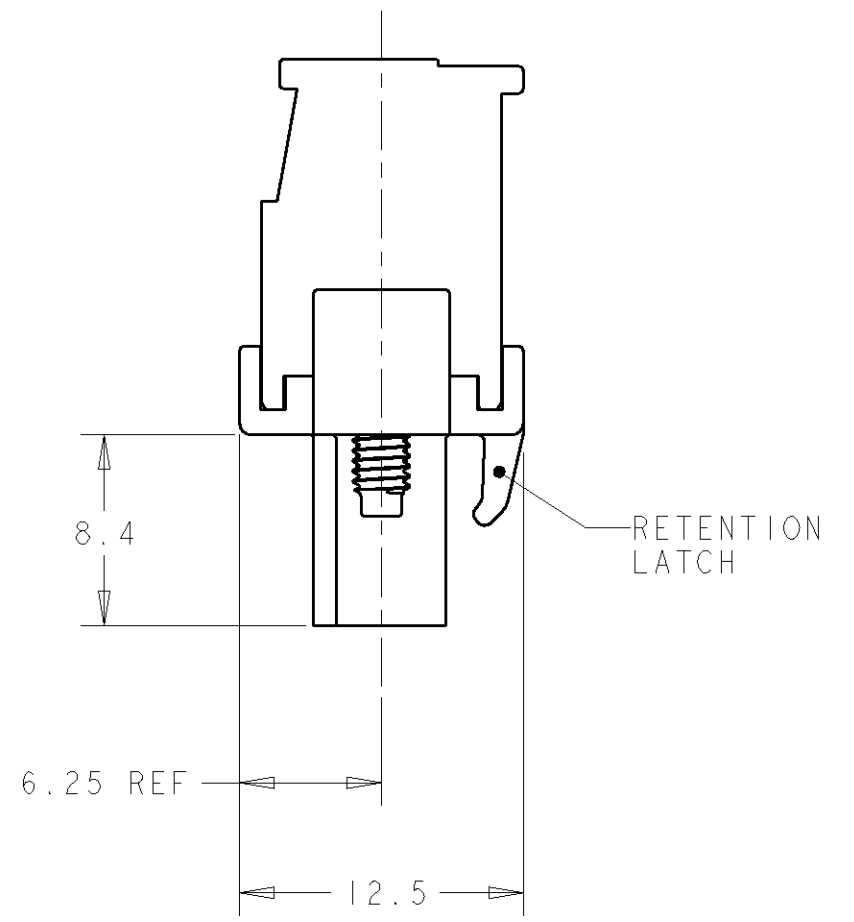
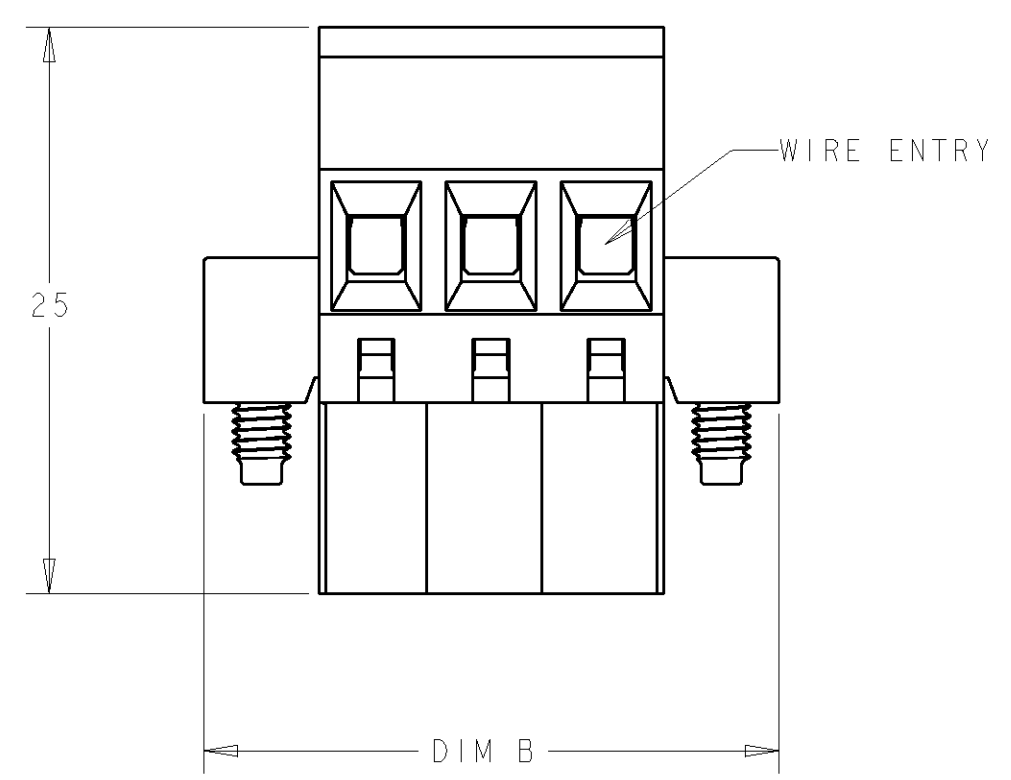
THIS DRAWING IS UNPUBLISHED. RELEASED FOR PUBLICATION  
 © COPYRIGHT ALL RIGHTS RESERVED.

LOC		DIST		REVISIONS			
P	LTR	DATE	DWN	APVD			
FT	0						
C1		20APR11	RK	HMR	REVISED PER ECO-11-005294		



796861-3 AS SHOWN

- 1 MATERIALS AND FINISH:  
 HOUSING: PA 6-6, UL 94-V0, COLOR GREEN.  
 CLAMP: BRASS, NICKEL PLATED.  
 CONTACT SPRING: PHOSPHOR BRONZE, PLATING: SEE TABLE.  
 CLAMPING SCREW: M3, BRASS, NICKEL PLATED.
- 2. WIRE SIZE RANGE: 12 - 30 AWG
- 3 LABEL APPLIED OR INK MARKING AS SHOWN.



DETAIL F

PRELIMINARY	0.2µm GOLD	3	DETAIL F	35.56	25.40	5	2-796861-4
TIN	-	-	-	127.00	116.84	23	2-796861-3
TIN	-	-	-	121.92	111.76	22	2-796861-2
TIN	-	-	-	116.84	106.68	21	2-796861-1
TIN	-	-	-	111.76	101.60	20	2-796861-0
TIN	-	-	-	106.68	96.52	19	1-796861-9
TIN	-	-	-	101.60	91.44	18	1-796861-8
TIN	-	-	-	96.52	86.36	17	1-796861-7
TIN	-	-	-	91.44	81.28	16	1-796861-6
TIN	-	-	-	86.36	76.20	15	1-796861-5
TIN	-	-	-	81.28	71.12	14	1-796861-4
TIN	-	-	-	76.20	66.04	13	1-796861-3
TIN	-	-	-	71.12	60.96	12	1-796861-2
TIN	-	-	-	66.04	55.88	11	1-796863-1
TIN	-	-	-	60.96	50.80	10	1-796861-0
TIN	-	-	-	55.88	45.72	9	796861-9
TIN	-	-	-	50.80	40.64	8	796861-8
TIN	-	-	-	45.72	35.56	7	796861-7
TIN	-	-	-	40.64	30.48	6	796861-6
TIN	-	-	-	35.56	25.40	5	796861-5
TIN	-	-	-	30.48	20.32	4	796861-4
TIN	-	-	-	25.40	15.24	3	796861-3
TIN	-	-	-	20.32	10.16	2	796861-2
TERMINAL PLATING	MARKING	SPECIAL	DIM B	DIM A	POSN	PART NUMBER	

DIMENSIONS: mm 		TOLERANCES UNLESS OTHERWISE SPECIFIED: 0 PLC ±0 1 PLC ±.3 2 PLC ±.25 3 PLC ±0 4 PLC ±0 ANGLES ±2° FINISH		DWN J. STAUFFER 07AUG2002 CHK C. RICHARD 07AUG2002 APVD C. RICHARD 07AUG2002 PRODUCT SPEC - APPLICATION SPEC - WEIGHT -		TE Connectivity	
MATERIAL:  -  -				NAME: TERMINAL BLOCK VERTICAL PLUG LEFT HAND, W/ LOCKING SCREW 5.08mm PITCH			
CUSTOMER DRAWING		SCALE: 3:1		SHEET OF 1		REV C1	