



Chipsmall Limited consists of a professional team with an average of over 10 year of expertise in the distribution of electronic components. Based in Hongkong, we have already established firm and mutual-benefit business relationships with customers from,Europe,America and south Asia,supplying obsolete and hard-to-find components to meet their specific needs.

With the principle of “Quality Parts,Customers Priority,Honest Operation,and Considerate Service”,our business mainly focus on the distribution of electronic components. Line cards we deal with include Microchip,ALPS,ROHM,Xilinx,Pulse,ON,Everlight and Freescale. Main products comprise IC,Modules,Potentiometer,IC Socket,Relay,Connector.Our parts cover such applications as commercial,industrial, and automotives areas.

We are looking forward to setting up business relationship with you and hope to provide you with the best service and solution. Let us make a better world for our industry!



Contact us

Tel: +86-755-8981 8866 Fax: +86-755-8427 6832

Email & Skype: info@chipsmall.com Web: www.chipsmall.com

Address: A1208, Overseas Decoration Building, #122 Zhenhua RD., Futian, Shenzhen, China



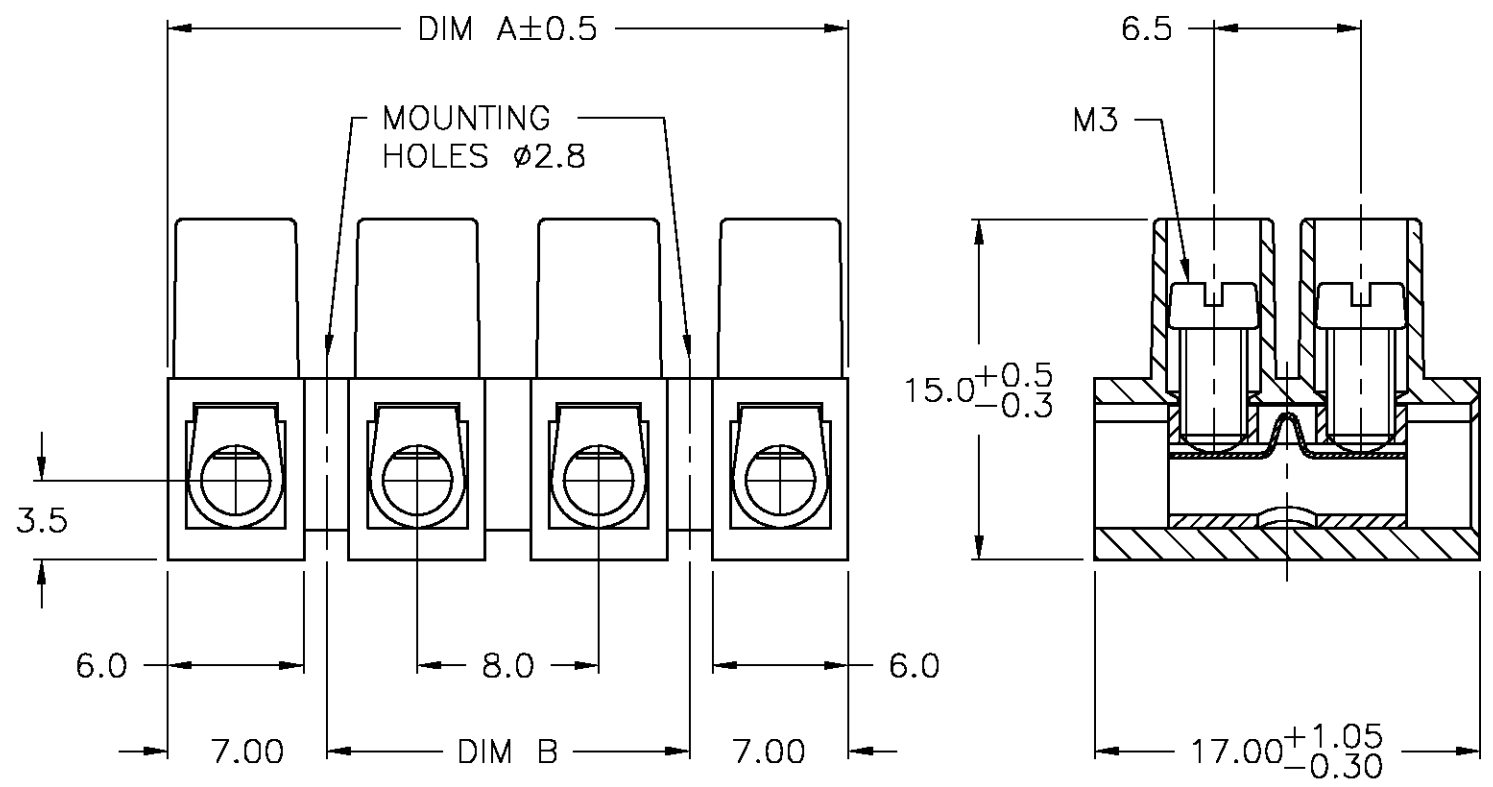
THIS DRAWING IS UNPUBLISHED. RELEASED FOR PUBLICATION
 © COPYRIGHT BY TYCO ELECTRONICS CORPORATION. ALL RIGHTS RESERVED.

LOC	DIST	REVISIONS					
FT	0	P	LTR	DESCRIPTION	DATE	DWN	APVD
			F	REVISED PER 0G3B-1164-04	12/16/04	SS	CR

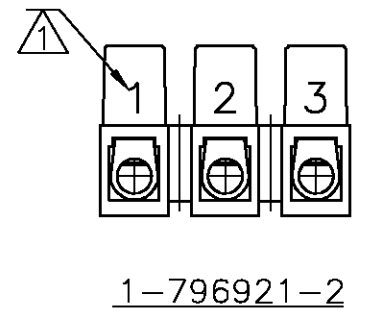
NOTES:
MATERIAL:
 HOUSING: POLYIMIDE 6/6 UL94V-0
 COLOR: BROWN
 TUBULAR CONTACT: BRASS, TIN PLATED
 M3 SCREW: STEEL, ZINC PLATED
 WIRE PROTECTOR: STAINLESS STEEL

ELECTRICAL:
 CURRENT RATING: 30A, 250V
 WIRE RANGE: 12-26 AWG

⚠ MARKED WITH PERMANENT INK.



8.0	22.0	-	1-796621-2
80.0	94.0	TSB23012DSHT	1437388-4
72.0	86.0	TSB23011DSHT	1-796921-1
64.0	78.0	TSB23010DSHT	1-796921-0
56.0	70.0	TSB23009DSHT	796921-9
48.0	62.0	TSB23008DSHT	796921-8
40.0	54.0	TSB23007DSHT	796921-7
32.0	46.0	TSB23006DSHT	796921-6
24.0	38.0	TSB23005DSHT	796921-5
16.0	30.0	TSB23004DSHT	796921-4
8.0	22.0	TSB23003DSHT	796921-3
-	14.0	TSB23002DSHT	796921-2
-	6.0	TSB23001DSHT	796921-1
DIM B	DIM A	CATALOG NUMBER	TYCO PART NUMBER



THIS DRAWING IS A CONTROLLED DOCUMENT.		DWN S. SCHLEGEL 22MAY02	Tyco Electronics Corporation Harrisburg, Pa 17105-3608	
DIMENSIONS: mm		CHK D. BIEVENOUR 5/23/02		
TOLERANCES UNLESS OTHERWISE SPECIFIED:		APVD D. BIEVENOUR 5/23/02	NAME EUROPA TERMINAL BLOCK W/WIRE PROTECTOR MOUNTING HOLES 2.8 DIA., 8.0mm PITCH HIGH TEMP	
0 PLC ± - 1 PLC ± .3 2 PLC ± .25 3 PLC ± - 4 PLC ± - ANGLES ± 2		PRODUCT SPEC -	SIZE A3	
MATERIAL -		FINISH -	CAGE CODE 00779	DRAWING NO C-796921
CUSTOMER DRAWING			RESTRICTED TO -	SCALE NTS
			SHEET 1	OF 1
			REV F	