



Chipsmall Limited consists of a professional team with an average of over 10 year of expertise in the distribution of electronic components. Based in Hongkong, we have already established firm and mutual-benefit business relationships with customers from,Europe,America and south Asia,supplying obsolete and hard-to-find components to meet their specific needs.

With the principle of "Quality Parts,Customers Priority,Honest Operation,and Considerate Service",our business mainly focus on the distribution of electronic components. Line cards we deal with include Microchip,ALPS,ROHM,Xilinx,Pulse,ON,Everlight and Freescale. Main products comprise IC,Modules,Potentiometer,IC Socket,Relay,Connector.Our parts cover such applications as commercial,industrial, and automotives areas.

We are looking forward to setting up business relationship with you and hope to provide you with the best service and solution. Let us make a better world for our industry!



Contact us

Tel: +86-755-8981 8866 Fax: +86-755-8427 6832

Email & Skype: info@chipsmall.com Web: www.chipsmall.com

Address: A1208, Overseas Decoration Building, #122 Zhenhua RD., Futian, Shenzhen, China



THIS DRAWING IS UNPUBLISHED.

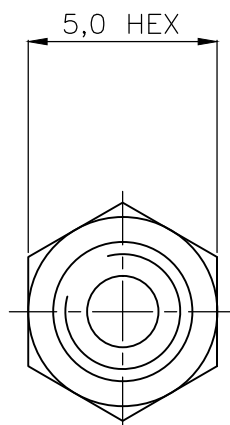
RELEASED FOR PUBLICATION

REVISIONS

© COPYRIGHT - By -

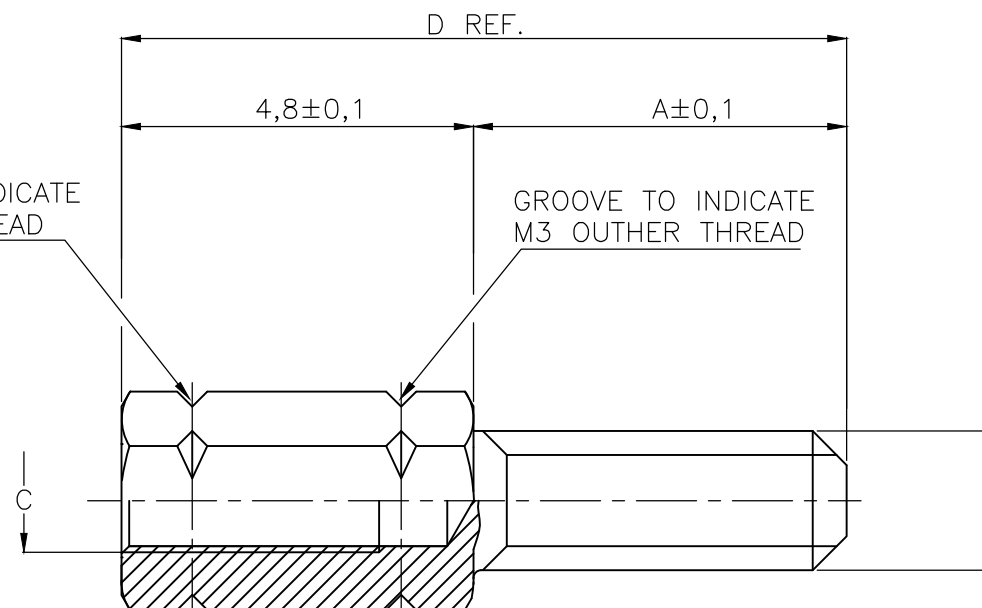
ALL RIGHTS RESERVED.

P	LTR	DESCRIPTION	DATE	DWN	APVD
	K	REVISED PER ECO-16-011204	29AUG2016	AP	DG



GROOVE TO INDICATE M3 INNER THREAD

GROOVE TO INDICATE M3 OUTER THREAD



1	OBSOLETE	10,8	4-40 UNC	4-40 UNC	6,0	TINPLATED	BRASS	3-829261-0
1	OBSOLETE	9,8	M3	4-40 UNC	5,0			2-829261-8
			4-40 UNC	M3	5,0			2-829261-6
			M3	M3	5,0			2-829261-4
			4-40 UNC	4-40 UNC	5,0			2-829261-2
1	OBSOLETE	19,0	M3	4-40 UNC	14,2			1-829261-8
			4-40 UNC	M3	14,2			1-829261-6
			M3	M3	14,2			1-829261-4
	OBSOLETE	12,7	4-40 UNC	4-40 UNC	14,2			1-829261-2
			M3	4-40 UNC	7,9			829261-8
			4-40 UNC	M3	7,9	829261-6		
			M3	M3	7,9	829261-4		
		4-40 UNC	4-40 UNC	7,9	829261-2			
		DIM "D"	DIM "C"	DIM "B"	DIM "A"	FINISH	MATERIAL	PART NUMBER



OBSOLETE PARTS: OBSOLETE CIS STREAMLINING PER D.RENAUD/D.SINISI

THIS DRAWING IS A CONTROLLED DOCUMENT.		DWN D.KESSLER 02APR91	TE Connectivity SCREWLOCK, FEMALE HD-SERIES			
DIMENSIONS: mm		CHK C.V.TILBURG 23APR91				
TOLERANCES UNLESS OTHERWISE SPECIFIED:		APVD L.V.SOEST 25APR91				
0 PLC ± - 1 PLC ± 0,2 2 PLC ± - 3 PLC ± - 4 PLC ± - ANGLES ± -		NAME				
MATERIAL		PRODUCT SPEC	SIZE	CAGE CODE	DRAWING NO	RESTRICTED TO
FINISH		APPLICATION SPEC	0	A300779	C-829261	-
		WEIGHT	CUSTOMER DRAWING		SCALE	SHEET
					NTS	1 OF 1
						REV K