



Chipsmall Limited consists of a professional team with an average of over 10 year of expertise in the distribution of electronic components. Based in Hongkong, we have already established firm and mutual-benefit business relationships with customers from,Europe,America and south Asia,supplying obsolete and hard-to-find components to meet their specific needs.

With the principle of “Quality Parts,Customers Priority,Honest Operation,and Considerate Service”,our business mainly focus on the distribution of electronic components. Line cards we deal with include Microchip,ALPS,ROHM,Xilinx,Pulse,ON,Everlight and Freescale. Main products comprise IC,Modules,Potentiometer,IC Socket,Relay,Connector.Our parts cover such applications as commercial,industrial, and automotives areas.

We are looking forward to setting up business relationship with you and hope to provide you with the best service and solution. Let us make a better world for our industry!



## Contact us

Tel: +86-755-8981 8866 Fax: +86-755-8427 6832

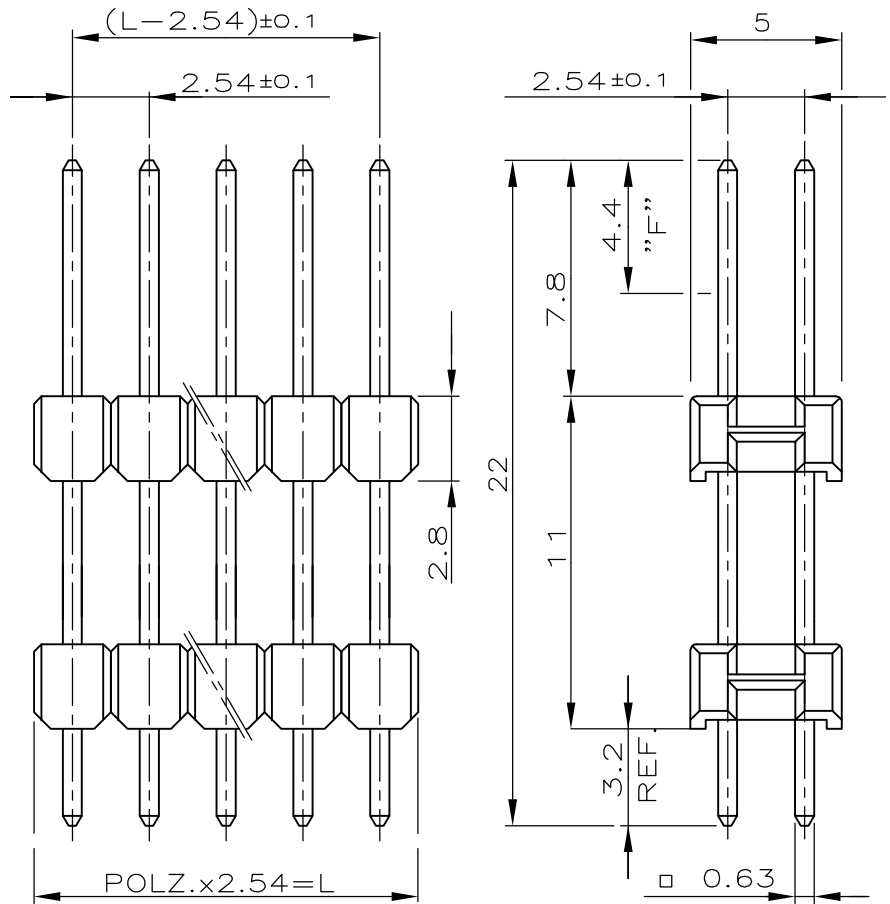
Email & Skype: info@chipsmall.com Web: www.chipsmall.com

Address: A1208, Overseas Decoration Building, #122 Zhenhua RD., Futian, Shenzhen, China



LOC	DIST	REVISIONS					
—	—	P	LTR	DESCRIPTION	DATE	DWN	APVD
		E		CONTACT PIN MATERIAL & PLATING CHANGE	27JUN2014	PS	JK

POLZ. PRO REIHE	L±0.4	BESTELL-NR.	
—	—	—	—
2	5.08	—	2/3
3	7.62	—	3/3
4	10.16	—	4/2
5	12.70	—	5/2
6	15.24	—	6/2
7	17.78	829 315	7/2
8	20.32	—	—
9	22.86	—	9/2
10	25.40	1-	-0
11	27.94	1-	-1
12	30.48	-1	2/2
13	33.02	1-	-3
14	35.56	-1	4/2
15	38.10	-1	5/2
16	40.64	-1	6/3
17	43.18	1-	-7
18	45.72	-1	8/2
19	48.26	-1	9/2
20	50.80	2-	-0
21	53.34	-2	1/2
22	55.88	-2	2/2
23	58.42	-2	3/2
24	60.96	-2	4/2
25	63.50	-2	5/2
26	66.04	-2	6/2
27	68.58	-2	7/2
28	71.12	-2	8/2
29	73.66	-2	9/2
30	76.20	-3	0/2
31	78.74	-3	1/2
32	81.28	-3	2/2
33	83.82	3-	-3
34	86.36	-3	4/2
35	88.90	-3	5/2
36	91.44	-3	6/2
37	93.98	-3	7/2
38	96.52	-3	8/2
39	99.06	-3	9/2
40	101.60	-4	0/2
41	104.14	-4	1/2
42	106.68	-4	2/2
43	109.22	-4	3/2
44	111.76	-4	4/2
45	114.30	-4	5/2
46	116.84	-4	6/2
47	119.38	-4	7/2
48	121.92	-4	8/2
49	124.46	-4	-9
50	127.00	-5	829 315 0/3



- ① MATING SIDE: MIN 0.7µm PdNi+ MIN 0.1µm GOLD FLASH IN ZONE "F" OVER 1.27µm NICKEL  
SOLDER SIDE: 3.0 TO 5.0µm TIN OVER 1.27µm NICKEL.
- ② OBSOLETE PARTS: OBSOLETE CIS STREAMLINING PER D.RENAUD/D.SINISI
- ③ OBSOLETE

KONTAKTSTIFT	CuZn	①
STIFTGEHÄUSE	PBT	GRÜN
BENENNUNG	WERKSTOFF	OBERFLÄCHE FARBE

RELEASED FOR PUBLICATION

ALL RIGHTS RESERVED.

THIS DRAWING IS UNPUBLISHED.

COPYRIGHT - By -

DIMENSIONS: mm	DWN	28.09.88	MATERIAL	FINISH
	CHK	A.HO	—	—
TOLERANCES UNLESS OTHERWISE SPECIFIED:	APVD	M.Schaarschmidt	TE Connectivity	
	PRODUCT SPEC	—		
0 PLC ±0.2 mm	APPLICATION SPEC	108-18012	NAME	
1 PLC ± -			SPEZ. AMPMODU II STIFTLISTE	
2 PLC ± -			ZWEIREIHIG	
3 PLC ± -			SIZE	CAGE CODE
4 PLC ± -			A4	00779
ANGLES ± -			DRAWING NO	RESTRICTED TO
			C-829315	—
	WEIGHT	—	CUSTOMER DRAWING	
			SCALE	SHEET
			4:1	1 OF 1
				REV E