



Chipsmall Limited consists of a professional team with an average of over 10 year of expertise in the distribution of electronic components. Based in Hongkong, we have already established firm and mutual-benefit business relationships with customers from,Europe,America and south Asia,supplying obsolete and hard-to-find components to meet their specific needs.

With the principle of “Quality Parts,Customers Priority,Honest Operation,and Considerate Service”,our business mainly focus on the distribution of electronic components. Line cards we deal with include Microchip,ALPS,ROHM,Xilinx,Pulse,ON,Everlight and Freescale. Main products comprise IC,Modules,Potentiometer,IC Socket,Relay,Connector.Our parts cover such applications as commercial,industrial, and automotives areas.

We are looking forward to setting up business relationship with you and hope to provide you with the best service and solution. Let us make a better world for our industry!



Contact us

Tel: +86-755-8981 8866 Fax: +86-755-8427 6832

Email & Skype: info@chipsmall.com Web: www.chipsmall.com

Address: A1208, Overseas Decoration Building, #122 Zhenhua RD., Futian, Shenzhen, China

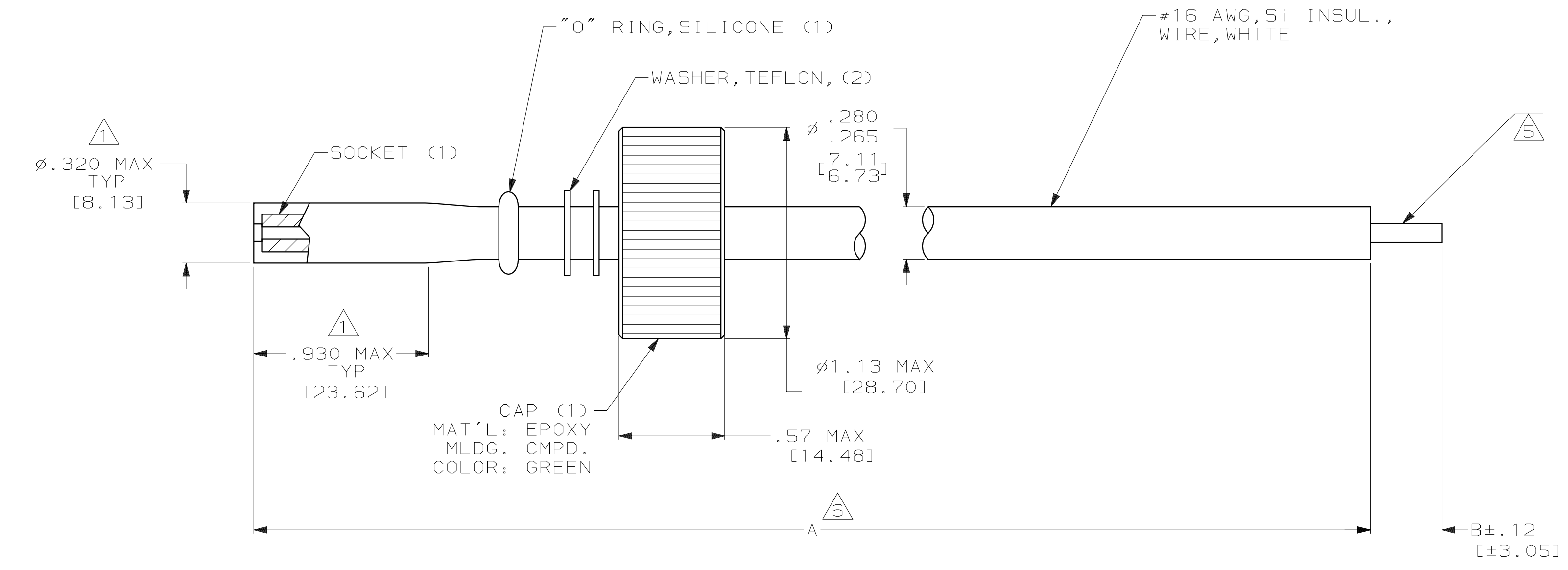


PROJ		LOC	DIST	P		F		ZONE		LTR		REVISIONS	
4089	DF	50											
DESCRIPTION												DATE	APPD
REV PER 0600-5828-96												CT	SG
												10-96	

PART NO.	A	B	
833779-1	6.00 [152.4]	.38 [9.7]	OBSOLETE
833779-2	12.00 [304.8]	.38 [9.7]	
833779-3	18.00 [457.2]	.38 [9.7]	
833779-4	24.00 [609.6]	.38 [9.7]	OBSOLETE
833779-5	30.00 [762.0]	.38 [9.7]	OBSOLETE
833779-6	7.00 [177.8]	.38 [9.7]	OBSOLETE
833779-7	9.25 [234.9]	.38 [9.7]	OBSOLETE
833779-8	60.00 [1524.0]	-	
833779-9	120.00 [3048.0]	.38 [9.7]	OBSOLETE
1-833779-0	36.00 [914.4]	.38 [9.7]	
1-833779-1	240.00 [6096.0]	.38 [9.7]	OBSOLETE
1-833779-2	18.00 [457.2]	.38 [9.7]	OBSOLETE
1-833779-3	60.00 [1524.0]	.38 [9.7]	OBSOLETE
1-833779-4	16.00 [406.4]	.38 [9.7]	OBSOLETE
1-833779-5	72.00 [1828.8]	.38 [9.7]	OBSOLETE
1-833779-6	2.88 [73.2]	.38 [9.7]	OBSOLETE
1-833779-7	96.00 [2438.4]	-	OBSOLETE
1-833779-8	10.00 [254.0]	.38 [9.7]	
1-833779-9	4.00 [101.6]	-	OBSOLETE
2-833779-0	84.00 [2133.6]	.38 [9.7]	
2-833779-1	28.00 [711.2]	.38 [9.7]	OBSOLETE
2-833779-2	48.00 [1219.2]	.38 [9.7]	
2-833779-3	21.00 [533.4]	.38 [9.7]	OBSOLETE
2-833779-4	7.00 [177.8]	-	OBSOLETE
2-833779-5	9.00 [228.6]	-	OBSOLETE
2-833779-6	48.00 [1219.2]	-	OBSOLETE
2-833779-7	120.00 [3048.0]	-	OBSOLETE
2-833779-8	3.00 [76.2]	-	OBSOLETE
2-833779-9	94.00 [2387.6]	-	OBSOLETE
3-833779-0	22.00 [558.8]	-	
3-833779-1	144.00 [3657.6]	.38 [9.7]	OBSOLETE
3-833779-2	30.00 [762.0]	.38 [9.7]	OBSOLETE
3-833779-3	20.00 [508.0]	-	
3-833779-4	40.00 [1016.0]	.38 [9.7]	OBSOLETE
3-833779-5	8.00 [203.2]	.38 [9.7]	
3-833779-6	36.00 [914.4]	-	OBSOLETE
3-833779-7	15.00 [381.0]	-	
3-833779-8	45.00 [1143.0]	-	OBSOLETE
3-833779-9	132.00 [3352.8]	-	OBSOLETE
4-833779-0	50.00 [1270.0]	.38 [9.7]	OBSOLETE
4-833779-1	70.00 [1778.0]	.38 [9.7]	OBSOLETE
4-833779-2	600.00 [15240.0]	.38 [9.7]	OBSOLETE
4-833779-3	300.00 [7620.0]	-	OBSOLETE
4-833779-4	25.00 [635.0]	.38 [9.7]	OBSOLETE
4-833779-5	13.50 [342.9]	-	OBSOLETE
4-833779-6	15.00 [381.0]	.38 [9.7]	OBSOLETE
4-833779-7	24.00 [609.6]	.38 [9.7]	OBSOLETE
4-833779-8	45.00 [1143.0]	.38 [9.7]	
4-833779-9	5.00 [127.0]	.38 [9.7]	OBSOLETE
5-833779-0	32.00 [812.8]	.38 [9.7]	OBSOLETE

PART NO.	A	B	
5-833779-1	65.00 [1651.0]	-	OBSOLETE
5-833779-2	900.00 [22860.0]	.38 [9.7]	OBSOLETE
5-833779-3	10.00 [254.0]	-	OBSOLETE
5-833779-4	12.00 [304.8]	-	OBSOLETE
5-833779-5	96.00 [2438.4]	.38 [9.7]	OBSOLETE
5-833779-6	97.00 [2463.8]	.38 [9.7]	OBSOLETE
5-833779-7	98.00 [2489.2]	.38 [9.7]	OBSOLETE
5-833779-8	15.75 [400.0]	-	OBSOLETE
5-833779-9	8.50 [215.9]	.50 [12.7]	OBSOLETE
6-833779-0	9.50 [241.3]	.50 [12.7]	OBSOLETE
6-833779-1	13.00 [330.2]	.50 [12.7]	
6-833779-2	14.00 [355.6]	.50 [12.7]	OBSOLETE
6-833779-3	38.00 [965.2]	.38 [9.7]	OBSOLETE
6-833779-4	18.50 [469.9]	.25 [6.3]	OBSOLETE
6-833779-5	19.00 [482.6]	.38 [9.7]	
6-833779-6	13.00 [330.2]	.38 [9.7]	OBSOLETE
6-833779-7	320.00 [8128.0]	.38 [9.7]	OBSOLETE
6-833779-8	51.00 [1295.4]	-	
6-833779-9	39.38 [1000.3]	-	
7-833779-0	51.25 [1301.7]	-	
7-833779-1	16.75 [425.4]	.50 [12.7]	OBSOLETE
7-833779-2	29.50 [749.3]	.50 [12.7]	OBSOLETE
7-833779-3	158.00 [4013.2]	-	

- 1. .320 MAX DIMENSION HELD OVER THE .930 MAX AREA ONLY.
- 2. MARKED PER MIL-STD-130.
- 3. DIMENSIONS IN BRACKETS ARE IN MILLIMETERS. METRIC EQUIVALENTS ARE BASED UPON 1.00 INCH = 25.4 mm.
- 4. LEADS WILL MATE WITH AMP LGH-3 RECEPTACLES.
- 5. WHERE APPLICABLE "B" STRIP LENGTH IS SOLDER DIPPED.
- 6. TOLERANCE OF LEAD LENGTH:
 UP TO 24 INCHES [609.6] = ±.12 [+3.1]
 24 INCHES [609.6] & UP = 1%



DO NOT SCALE PRINT. UNLESS SPECIFIED DIMENSIONS IN INCHES [mm]		DR 9-15-89 C.C. THOMAS		AMP INCORPORATED Harrisburg, Pa. 17105	
TOLERANCES UNLESS SPECIFIED:		CHK 1-17-90 S. GLATFELTER			
2 PLC DEC ± -		APPD 1-17-90 S. GLATFELTER		NAME	
3 PLC DEC ± -		RLSE 1-17-90 C. THOMAS		LEAD ASS'Y, LGH-3, SINGLE END	
ANGLES ± -		PRODUCT SPEC -		DRAWING NO	
MATERIAL		APPLICATION SPEC -		833779	
SEE CALLOUTS		WEIGHT -		SCALE 2:1	
FINISH -		CAGE CODE 00779		SHEET 1 OF 1	