



Chipsmall Limited consists of a professional team with an average of over 10 year of expertise in the distribution of electronic components. Based in Hongkong, we have already established firm and mutual-benefit business relationships with customers from,Europe,America and south Asia,supplying obsolete and hard-to-find components to meet their specific needs.

With the principle of “Quality Parts,Customers Priority,Honest Operation,and Considerate Service”,our business mainly focus on the distribution of electronic components. Line cards we deal with include Microchip,ALPS,ROHM,Xilinx,Pulse,ON,Everlight and Freescale. Main products comprise IC,Modules,Potentiometer,IC Socket,Relay,Connector.Our parts cover such applications as commercial,industrial, and automotives areas.

We are looking forward to setting up business relationship with you and hope to provide you with the best service and solution. Let us make a better world for our industry!



## Contact us

Tel: +86-755-8981 8866 Fax: +86-755-8427 6832

Email & Skype: info@chipsmall.com Web: www.chipsmall.com

Address: A1208, Overseas Decoration Building, #122 Zhenhua RD., Futian, Shenzhen, China



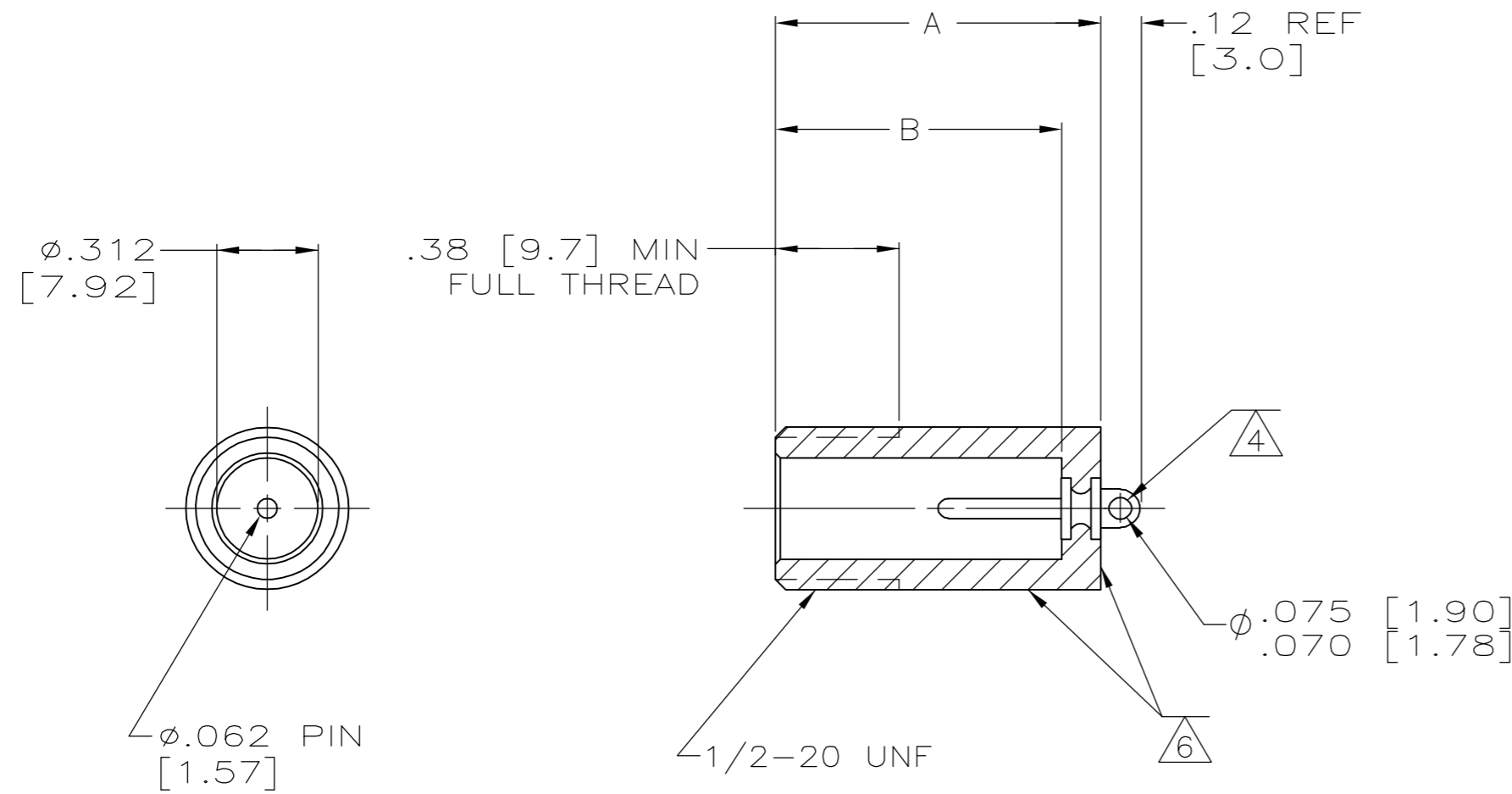
THIS DRAWING IS UNPUBLISHED. RELEASED FOR PUBLICATION - .N/A .  
 © COPYRIGHT N/A BY TYCO ELECTRONICS CORPORATION. ALL RIGHTS RESERVED.

LOC	DIST	REVISIONS					
DF	S0	P	LTR	DESCRIPTION	DATE	DWN	APVD
		AB		REV PER OH14-0191-05	05-05	AA	DE

1. RECEPTACLE TO MATE WITH AMP LGH-1 LEAD ASSY.
2. MARKED PER MIL-STD-130.

~~3. MARKED PER MIL-STD-130 INCLUDING CUST P/N 15020-002.~~

- 4. PIN EYELET IS SOLDER DIPPED ON 1--7 ONLY.
- 5. SPECIAL TESTING/INSPECTION:  
100% VISUAL WORKMANSHIP/APPEARANCE  
100% DWV 30,000VDC @ S.L./AMBIENT CONDITIONS
- 6. .500 [12.70] DIA. AND REAR SURFACE SAND  
BLASTED TO PROMOTE ADHESION TO POTTING MATERIAL.



REMARKS	PIN PLATING	DIM B	DIM A	PART NO.
5	TIN	.88 [22.4]	1.00 [25.4]	6-834333-8
-	TIN	.75 [19.0]	.88 [22.4]	5-834333-3
-	TIN	.88 [22.4]	1.00 [25.4]	5-834333-2
-	TIN	1.00 [25.4]	1.12 [28.4]	5-834333-1
-	TIN	1.12 [28.4]	1.25 [31.7]	5-834333-0
5	TIN-LEAD	.88 [22.4]	1.00 [25.4]	1-834333-8
4/6	TIN-LEAD	.88 [22.4]	1.00 [25.4]	1-834333-7
OBSOLETE	TIN-LEAD	.88 [22.4]	1.00 [25.4]	1-834333-6
OBSOLETE	GOLD	.75 [19.0]	.88 [22.4]	834333-7
OBSOLETE	GOLD	.88 [22.4]	1.00 [25.4]	834333-6
OBSOLETE	GOLD	1.00 [25.4]	1.12 [28.4]	834333-5
OBSOLETE	GOLD	1.12 [28.4]	1.25 [31.7]	834333-4
-	TIN-LEAD	.75 [19.0]	.88 [22.4]	834333-3
-	TIN-LEAD	.88 [22.4]	1.00 [25.4]	834333-2
-	TIN-LEAD	1.00 [25.4]	1.12 [28.4]	834333-1
-	TIN-LEAD	1.12 [28.4]	1.25 [31.7]	834333

THIS DRAWING IS A CONTROLLED DOCUMENT.

DWN C.C.THOMAS 23-MAR-94	 Tyco Electronics Corporation Harrisburg, Pa 17105-3608	SIZE	CAGE CODE	DRAWING NO	RESTRICTED TO
CHK C.SHELLY 11-APR-94		A2	00779	C=834333	-
APVD C.SHELLY 11-APR-94		SCALE	SHEET	OF	REV
PRODUCT SPEC		2:1	1	1	AB

MATERIAL: EPOXY MLDG CMPD, COLOR: BLACK  
 TOLERANCES UNLESS OTHERWISE SPECIFIED:  
 0 PLC ± -  
 1 PLC ± -  
 2 PLC ± .02[0.5]  
 3 PLC ± .005[0.13]  
 4 PLC ± -  
 ANGLES ± -  
 FINISH -  
 WEIGHT -  
 CUSTOMER DRAWING