



Chipsmall Limited consists of a professional team with an average of over 10 year of expertise in the distribution of electronic components. Based in Hongkong, we have already established firm and mutual-benefit business relationships with customers from,Europe,America and south Asia,supplying obsolete and hard-to-find components to meet their specific needs.

With the principle of “Quality Parts,Customers Priority,Honest Operation,and Considerate Service”,our business mainly focus on the distribution of electronic components. Line cards we deal with include Microchip,ALPS,ROHM,Xilinx,Pulse,ON,Everlight and Freescale. Main products comprise IC,Modules,Potentiometer,IC Socket,Relay,Connector.Our parts cover such applications as commercial,industrial, and automotives areas.

We are looking forward to setting up business relationship with you and hope to provide you with the best service and solution. Let us make a better world for our industry!



## Contact us

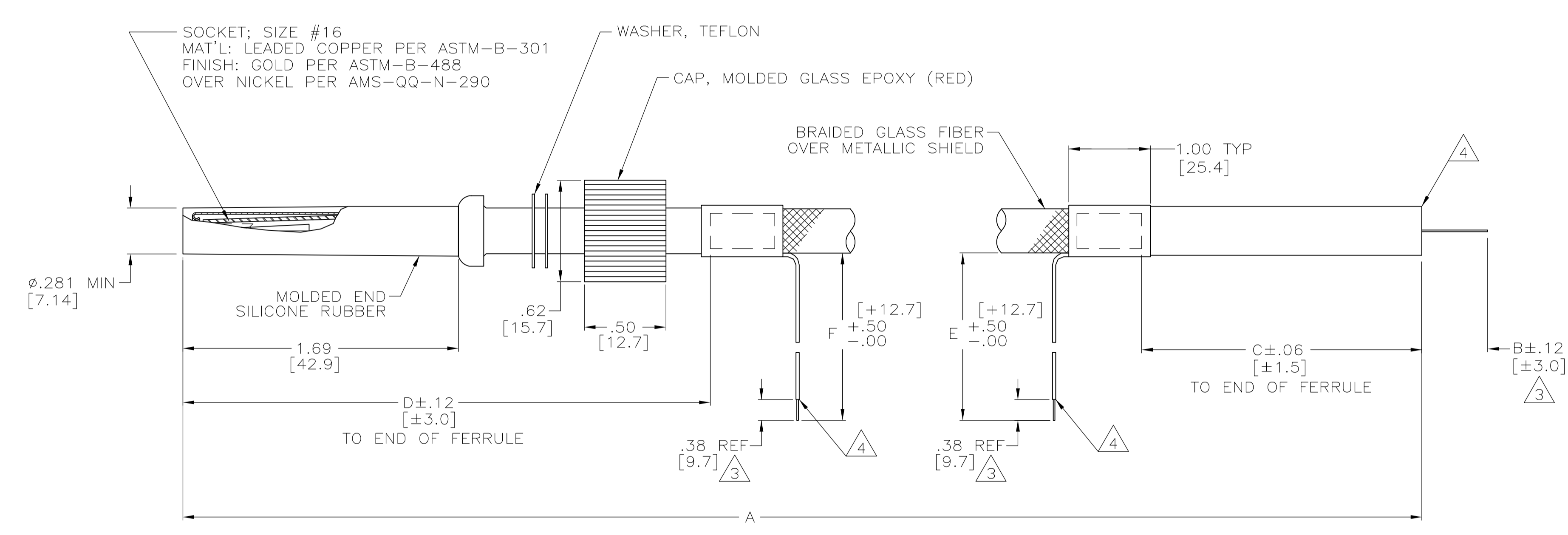
Tel: +86-755-8981 8866 Fax: +86-755-8427 6832

Email & Skype: info@chipsmall.com Web: www.chipsmall.com

Address: A1208, Overseas Decoration Building, #122 Zhenhua RD., Futian, Shenzhen, China



AMP P/N	A	B	C	D	E	F	REMARKS
846938-1	14.00±.12 [355.6±3.0]	.38 [9.7]	2.00 [50.8]	3.00 [76.2]	6.00 [152.4]	-	△3 OBSOLETE
846938-2	11.00±.12 [279.4±3.0]	.62 [15.7]	2.00 [50.8]	3.00 [76.2]	6.00 [152.4]	-	△3 OBSOLETE
846938-3	11.50±.12 [292.1±3.0]	.62 [15.7]	2.00 [50.8]	3.00 [76.2]	6.00 [152.4]	-	△3
846938-4	11.12±.12 [282.5±3.0]	.38 [9.7]	2.00 [50.8]	4.50 [114.3]	6.00 [152.4]	-	△3 OBSOLETE
846938-5	11.50±.12 [292.1±3.0]	.62 [15.7]	2.00 [50.8]	3.00 [76.2]	6.00 [152.4]	-	△3 OBSOLETE
846938-6	26.00±.26 [660.4±6.6]	.38 [9.7]	2.00 [50.8]	3.00 [76.2]	6.00 [152.4]	-	△3 OBSOLETE
846938-7	25.50±.25 [647.7±6.4]	.38 [9.7]	1.50 [38.1]	3.00 [76.2]	6.00 [152.4]	6.00 [152.4]	△3 OBSOLETE
846938-8	48.00±.48 [1219.2±6.4]	.38 [9.7]	2.00 [50.8]	3.00 [76.2]	6.00 [152.4]	-	△3
846938-9	11.50±.12 [292.1±3.0]	.62 [15.7]	.75 [19.1]	3.00 [76.2]	6.00 [152.4]	-	△3 OBSOLETE
1-846938-0	72.00±.72 [1828.8±18.3]	.38 [9.65]	2.00 [50.8]	3.00 [76.2]	6.00 [152.4]	6.00 [152.4]	△3 OBSOLETE
1-846938-1	192.00±1.92 [4876.8±48.8]	.38 [9.65]	2.00 [50.8]	3.00 [76.2]	6.00 [152.4]	6.00 [152.4]	△3 OBSOLETE
1-846938-2	288.00±2.88 [7315.2±73.2]	.38 [9.65]	2.00 [50.8]	3.00 [76.2]	6.00 [152.4]	6.00 [152.4]	△3 OBSOLETE
1-846938-3	10.00±.12 [254.0±3.0]	.38 [9.65]	2.00 [50.8]	3.00 [76.2]	6.00 [152.4]	6.00 [152.4]	△3
1-846938-4	51.00±.50 [1295.4±7.5]	.38 [9.65]	8.00 [203.2]	3.00 [76.2]	-	6.00 [152.4]	△3 OBSOLETE
1-846938-5	41.00±.41 [1041.4±10.4]	.38 [9.65]	13.00 [330.2]	3.00 [76.2]	-	6.00 [152.4]	△3 OBSOLETE
1-846938-6	36.00±.36 [914.4±9.1]	.38 [9.65]	13.00 [330.2]	3.00 [76.2]	-	6.00 [152.4]	△3
1-846938-7	50.00±.50 [1270.0±12.7]	.38 [9.65]	24.00 [609.6]	3.00 [76.2]	-	6.00 [152.4]	△3 OBSOLETE
1-846938-8	128.00±1.28 [3251.2±32.5]	.38 [9.65]	35.00 [889.0]	3.00 [76.2]	-	6.00 [152.4]	△3 OBSOLETE
1-846938-9	17.00±.12 [431.8±3.0]	.38 [9.65]	2.00 [50.8]	3.00 [76.2]	6.00 [152.4]	6.00 [152.4]	△3 OBSOLETE
2-846938-0	18.00±.12 [457.2±3.0]	.38 [9.65]	2.00 [50.8]	3.00 [76.2]	6.00 [152.4]	6.00 [152.4]	△3
2-846938-1	24.00±.12 [609.6±3.0]	.38 [9.65]	2.00 [50.8]	3.00 [76.2]	6.00 [152.4]	6.00 [152.4]	△3
2-846938-2	480.00±4.80 [12192±121.9]	.38 [9.65]	2.00 [50.8]	3.00 [76.2]	6.00 [152.4]	6.00 [152.4]	△3 OBSOLETE
2-846938-3	240.00±2.40 [6096.0±61.0]	.38 [9.65]	2.00 [50.8]	3.00 [76.2]	6.00 [152.4]	6.00 [152.4]	△3 OBSOLETE
2-846938-4	8.00±.12 [203.2±3.0]	.38 [9.65]	2.00 [50.8]	3.00 [76.2]	6.00 [152.4]	-	△3 OBSOLETE
2-846938-5	120.00±1.20 [3048.0±30.5]	.38 [9.65]	5.00 [127.0]	3.00 [76.2]	6.00 [152.4]	6.00 [152.4]	△3 OBSOLETE
2-846938-6	40.00±.40 [1016.0±10.2]	.38 [9.65]	2.00 [50.8]	3.00 [76.2]	6.00 [152.4]	-	△3 OBSOLETE
2-846938-7	80.00±.80 [2032±20.3]	.38 [9.65]	2.00 [50.8]	3.00 [76.2]	6.00 [152.4]	-	△3
2-846938-8	20.00±.12 [508.0±3.0]	.38 [9.65]	2.00 [50.8]	3.00 [76.2]	6.00 [152.4]	-	△3 OBSOLETE
2-846938-9	20.00±.12 [508.0±3.0]	.38 [9.65]	2.00 [50.8]	3.00 [76.2]	8.00 [203.2]	-	△3 OBSOLETE
3-846938-0	31.00±.31 [787.4±7.9]	.38 [9.65]	20.00 [508.0]	3.00 [76.2]	6.00 [152.4]	-	△3 OBSOLETE
3-846938-1	96.00±.96 [2438.4±24.4]	.38 [9.65]	3.00 [76.2]	3.00 [76.2]	6.00 [152.4]	6.00 [152.4]	△3 OBSOLETE
3-846938-2	96.00±.96 [2438.4±24.4]	.38 [9.65]	3.00 [76.2]	3.00 [76.2]	12.00 [304.8]	12.00 [304.8]	△3 OBSOLETE
3-846938-3	60.00±.60 [1524.0±15.3]	.38 [9.65]	3.00 [50.8]	3.00 [76.2]	6.00 [152.4]	6.00 [152.4]	△3 OBSOLETE
3-846938-4	29.00±.29 [736.6±7.4]	.38 [9.65]	3.00 [76.2]	3.00 [76.2]	6.00 [152.4]	6.00 [152.4]	△3 OBSOLETE
3-846938-5	29.00±.29 [736.6±7.4]	.38 [9.65]	20.00 [508.0]	3.00 [76.2]	6.00 [152.4]	6.00 [152.4]	△3
3-846938-6	48.00±.48 [1219.2±12.2]	.38 [9.65]	2.00 [50.8]	3.00 [76.2]	12.00 [304.8]	12.00 [304.8]	△3 OBSOLETE
3-846938-7	300.00±3.00 [7620.0±76.2]	.38 [9.65]	3.00 [76.2]	3.00 [76.2]	6.00 [152.4]	6.00 [152.4]	△3 OBSOLETE
3-846938-8	11.50±.12 [292.1±3.0]	.62 [15.7]	3.00 [76.2]	3.00 [76.2]	6.00 [152.4]	-	△3
3-846938-9	12.50±.12 [317.5±3.0]	.62 [15.7]	2.00 [50.8]	3.00 [76.2]	6.00 [152.4]	-	△3
6-846938-3	10.00±.12 [254.0±3.0]	.38 [9.65]	2.00 [50.8]	3.00 [76.2]	6.00 [152.4]	6.00 [152.4]	△4
8-846938-5	29.00±.29 [736.6±7.4]	.38 [9.65]	20.00 [508.0]	3.00 [76.2]	6.00 [152.4]	6.00 [152.4]	△4



LOC	DIST	REV	DATE	BY	APP'D
DF	SO	AC	08-05	AA	DE

- MARKED PER MIL-STD-130.
  - TO MATE WITH AMP LGH-1L RECEPTACLE WITH 1.69 BARREL DEPTH.
- △3 PIGTAILS ARE SOLDER DIPPED.  
△4 INSULATION CUT, BUT NOT REMOVED.

THIS DRAWING IS A CONTROLLED DOCUMENT.		DWG: T. THOMPSON 28-APR-93		Tyco Electronics Corporation Harrisburg, Pa 17105-3608	
DIMENSIONS: INCHES (mm)		CHK: S. GLATFELTER 28-MAY-93		NAME: LEAD ASSY, ELECTRICAL MOLDED END WITH SHIELD & GLASS BRAID JACKET LGH-1L	
TOLERANCES UNLESS OTHERWISE SPECIFIED:		APVD: S. GLATFELTER 28-MAY-93	PRODUCT SPEC: APPLICATION SPEC		
0 PLC ± - 1 PLC ± - 2 PLC ± .02 (0.5) 3 PLC ± .005 (0.13) 4 PLC ± - ANGLES ± -		SIZE: A1		CAGE CODE: 00779	DRAWING NO: 846938
MATERIAL: SEE CALLOUTS		FINISH: SEE CALLOUTS		WEIGHT: -	
		CUSTOMER DRAWING		SCALE: 2:1	SHEET 1 OF 1