



Chipsmall Limited consists of a professional team with an average of over 10 year of expertise in the distribution of electronic components. Based in Hongkong, we have already established firm and mutual-benefit business relationships with customers from,Europe,America and south Asia,supplying obsolete and hard-to-find components to meet their specific needs.

With the principle of "Quality Parts,Customers Priority,Honest Operation,and Considerate Service",our business mainly focus on the distribution of electronic components. Line cards we deal with include Microchip,ALPS,ROHM,Xilinx,Pulse,ON,Everlight and Freescale. Main products comprise IC,Modules,Potentiometer,IC Socket,Relay,Connector.Our parts cover such applications as commercial,industrial, and automotives areas.

We are looking forward to setting up business relationship with you and hope to provide you with the best service and solution. Let us make a better world for our industry!



## Contact us

Tel: +86-755-8981 8866 Fax: +86-755-8427 6832

Email & Skype: info@chipsmall.com Web: www.chipsmall.com

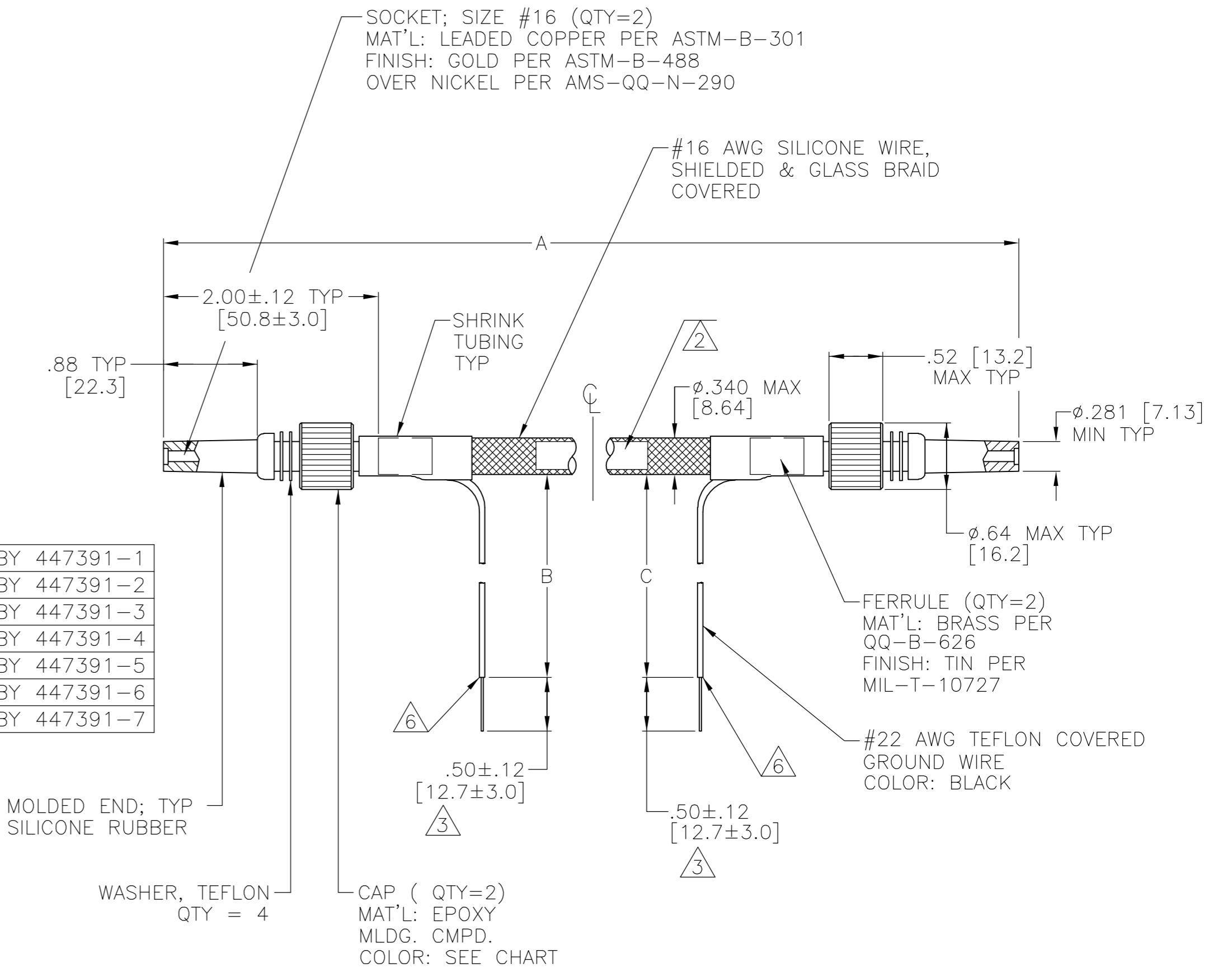
Address: A1208, Overseas Decoration Building, #122 Zhenhua RD., Futian, Shenzhen, China



THIS DRAWING IS UNPUBLISHED. RELEASED FOR PUBLICATION - N/A .  
 © COPYRIGHT N/A BY TYCO ELECTRONICS CORPORATION. ALL RIGHTS RESERVED.

| LOC |     | DIST                  |  | REVISIONS |     |      |  |
|-----|-----|-----------------------|--|-----------|-----|------|--|
| P   | LTR | DESCRIPTION           |  | DATE      | DWN | APVD |  |
| W   |     | REV PER ECO-05-002357 |  | 08-05     | AA  | DE   |  |

| PART NO.   | A <sup>1</sup>   | B <sup>1</sup> | C <sup>1</sup> | CAP COLOR | REMARKS                             |
|------------|------------------|----------------|----------------|-----------|-------------------------------------|
| 849104-1   | 24.00 [609.6]    | 6.00 [152.4]   | -              | RED       | <sup>3</sup> OBSOLETE               |
| 849104-2   | 96.00 [2438.4]   | 6.00 [152.4]   | -              | RED       | <sup>3</sup>                        |
| 849104-3   | 48.00 [1219.2]   | 6.00 [152.4]   | -              | RED       | <sup>3</sup>                        |
| 849104-4   | 15.00 [381.0]    | 6.00 [152.4]   | -              | RED       | <sup>3</sup> OBSOLETE               |
| 849104-5   | 8.00 [203.2]     | 6.00 [152.4]   | -              | RED       | <sup>3</sup>                        |
| 849104-6   | 120.00 [3048.0]  | 6.00 [152.4]   | -              | RED       | <sup>3</sup>                        |
| 849104-7   | 240.00 [6096.0]  | 6.00 [152.4]   | -              | RED       | <sup>3</sup> OBSOLETE               |
| 849104-8   | 10.00 [254.0]    | 6.00 [152.4]   | -              | RED       | <sup>3</sup>                        |
| 849104-9   | 72.00 [1828.8]   | 6.00 [152.4]   | 6.00 [152.4]   | RED       | <sup>3</sup> OBSOLETE               |
| 1-849104-0 | 80.00 [2032.0]   | 20.00 [508.0]  | 20.00 [508.0]  | RED       | <sup>3</sup> OBSOLETE               |
| 1-849104-1 | 26.00 [660.4]    | 6.00 [152.4]   | 6.00 [152.4]   | RED       | <sup>3</sup> OBSOLETE               |
| 1-849104-2 | 14.00 [355.6]    | 6.00 [152.4]   | 6.00 [152.4]   | RED       | <sup>3</sup> OBSOLETE               |
| 1-849104-3 | 144.00 [3657.6]  | 6.00 [152.4]   | 6.00 [152.4]   | RED       | <sup>3</sup> OBSOLETE               |
| 1-849104-4 | 216.00 [5486.4]  | 6.00 [152.4]   | 6.00 [152.4]   | RED       | <sup>3</sup> OBSOLETE               |
| 1-849104-5 | 18.00 [457.2]    | 6.00 [152.4]   | -              | RED       | <sup>3</sup>                        |
| 1-849104-6 | 24.00 [609.6]    | 6.00 [152.4]   | 6.00 [152.4]   | RED       | <sup>3</sup> OBSOLETE               |
| 1-849104-7 | 36.00 [914.4]    | 6.00 [152.4]   | -              | RED       | <sup>3</sup>                        |
| 1-849104-8 | 300.00 [7620.0]  | 6.00 [152.4]   | -              | RED       | <sup>3</sup> OBSOLETE               |
| 1-849104-9 | 36.00 [914.4]    | 6.00 [152.4]   | 6.00 [152.4]   | RED       | <sup>3</sup>                        |
| 2-849104-0 | 180.00 [4572.0]  | 6.00 [152.4]   | 6.00 [152.4]   | RED       | <sup>3</sup> OBSOLETE               |
| 2-849104-1 | 39.00 [990.6]    | 6.00 [152.4]   | 6.00 [152.4]   | RED       | <sup>3</sup> OBSOLETE               |
| 2-849104-2 | 840.00 [21336.0] | 6.00 [152.4]   | 6.00 [152.4]   | RED       | <sup>3</sup> OBSOLETE               |
| 2-849104-3 | 600.00 [15240.0] | 6.00 [152.4]   | 6.00 [152.4]   | RED       | <sup>3</sup> OBSOLETE               |
| 2-849104-4 | 60.00 [1524.0]   | 6.00 [152.4]   | 6.00 [152.4]   | RED       | <sup>3</sup> OBSOLETE               |
| 2-849104-5 | 19.00 [482.6]    | 6.00 [152.4]   | -              | GREEN     | <sup>3</sup> SUPERSEDED BY 447391-1 |
| 2-849104-6 | 27.00 [685.8]    | 6.00 [152.4]   | -              | GREEN     | <sup>3</sup> SUPERSEDED BY 447391-2 |
| 2-849104-7 | 35.00 [889.0]    | 6.00 [152.4]   | -              | GREEN     | <sup>3</sup> SUPERSEDED BY 447391-3 |
| 2-849104-8 | 42.00 [1066.8]   | 6.00 [152.4]   | -              | GREEN     | <sup>3</sup> SUPERSEDED BY 447391-4 |
| 2-849104-9 | 51.00 [1295.4]   | 6.00 [152.4]   | -              | GREEN     | <sup>3</sup> SUPERSEDED BY 447391-5 |
| 3-849104-0 | 59.00 [1498.6]   | 6.00 [152.4]   | -              | GREEN     | <sup>3</sup> SUPERSEDED BY 447391-6 |
| 3-849104-1 | 67.00 [1701.8]   | 6.00 [152.4]   | -              | GREEN     | <sup>3</sup> SUPERSEDED BY 447391-7 |
| 5-849104-3 | 48.00 [1219.2]   | 6.00 [152.4]   | -              | RED       | <sup>6</sup>                        |
| 6-849104-7 | 36.00 [914.4]    | 6.00 [152.4]   | -              | RED       | <sup>6</sup>                        |



- <sup>1</sup> TOLERANCE OF LEAD LENGTH:  
UP TO 24 INCHES [609.6] = ±.12 [±3.0]  
24 INCHES [609.6] & UP = ±1%
- <sup>2</sup> MARKED PER MIL-STD-130.
- <sup>3</sup> PIGTAILS ARE SOLDER DIPPED.
- 4. TO MATE WITH AMP LGH-1 RECEPTACLE WITH .88 [22.3] BARREL DEPTH.
- 5. OPERATING VOLTAGE: 20 KVDC AT 0 TO 70,000 FEET, -55°C TO 125°C.
- <sup>6</sup> INSULATION CUT, BUT NOT REMOVED.

|   |  |        |              |   |
|---|--|--------|--------------|---|
| THIS DRAWING IS A CONTROLLED DOCUMENT.  |  | DWN    | 15-JUN-90    | <br>Tyco Electronics Corporation<br>Harrisburg, Pa 17105-3608 |
| DIMENSIONS: INCHES [mm]   |  | CHK    | 16-JUL-90    |   |
| TOLERANCES UNLESS OTHERWISE SPECIFIED:  |  | APVD   | 16-JUL-90    |   |
| MATERIAL SEE CALLOUTS   |  | FINISH | SEE CALLOUTS |   |
| 0 PLC ± -<br>1 PLC ± -<br>2 PLC ± .02 [0.5]<br>3 PLC ± -<br>4 PLC ± -<br>ANGLES ± - |  | NAME   |              | LEAD ASSY   |
| CUSTOMER DRAWING  |  | SCALE  |              | 1:1   |
| SEE CALLOUTS  |  | SHEET  |              | 1 OF 1  |
| SEE CALLOUTS  |  | REV    |              | W   |