



Chipsmall Limited consists of a professional team with an average of over 10 year of expertise in the distribution of electronic components. Based in Hongkong, we have already established firm and mutual-benefit business relationships with customers from,Europe,America and south Asia,supplying obsolete and hard-to-find components to meet their specific needs.

With the principle of “Quality Parts,Customers Priority,Honest Operation,and Considerate Service”,our business mainly focus on the distribution of electronic components. Line cards we deal with include Microchip,ALPS,ROHM,Xilinx,Pulse,ON,Everlight and Freescale. Main products comprise IC,Modules,Potentiometer,IC Socket,Relay,Connector.Our parts cover such applications as commercial,industrial, and automotives areas.

We are looking forward to setting up business relationship with you and hope to provide you with the best service and solution. Let us make a better world for our industry!



## Contact us

Tel: +86-755-8981 8866 Fax: +86-755-8427 6832

Email & Skype: info@chipsmall.com Web: www.chipsmall.com

Address: A1208, Overseas Decoration Building, #122 Zhenhua RD., Futian, Shenzhen, China

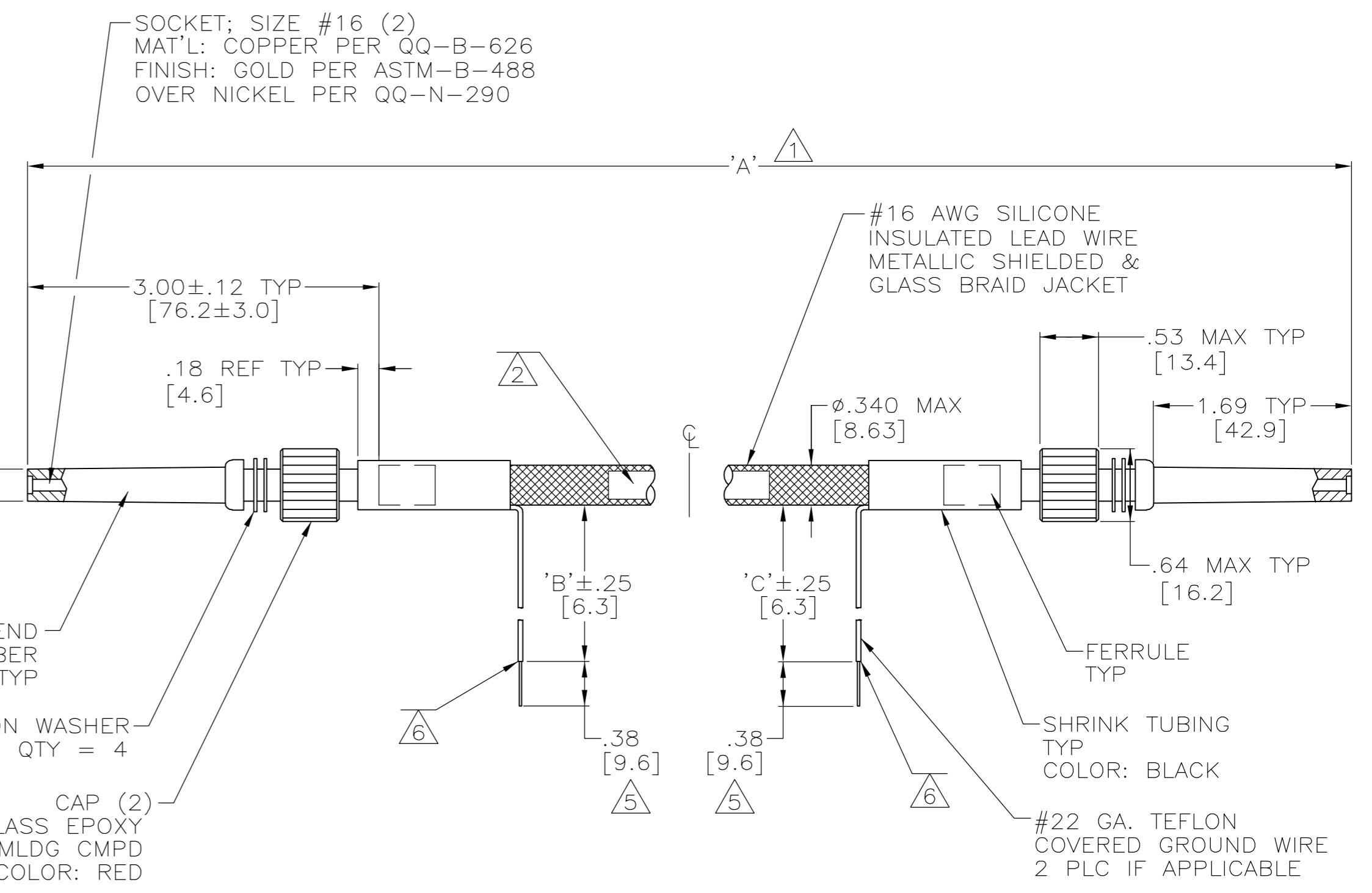


THIS DRAWING IS UNPUBLISHED. RELEASED FOR PUBLICATION - N/A .  
 © COPYRIGHT N/A BY TYCO ELECTRONICS CORPORATION. ALL RIGHTS RESERVED.

LOC		DIST		REVISIONS			
DF	SO	P	LTR	DESCRIPTION	DATE	DWN	APVD
		U		REV PER ECO-05-002582	06-05	AA	DE

PART NO.	A	B	C	REMARKS
849616-1	96.00 [2438.4]	-	-	OBSOLETE
849616-2	72.00 [1828.8]	-	-	OBSOLETE
849616-3	348.00 [8839.2]	6.00 [152.4]	-	OBSOLETE
849616-4	246.00 [6248.4]	6.00 [152.4]	-	OBSOLETE
849616-5	360.00 [9144.0]	6.00 [152.4]	-	OBSOLETE
849616-6	300.00 [7620.0]	8.00 [203.2]	8.00 [203.2]	OBSOLETE
849616-7	12.00 [304.8]	6.00 [152.4]	-	△5
849616-8	120.00 [3048.0]	8.00 [203.2]	8.00 [203.2]	OBSOLETE
849616-9	144.00 [3657.6]	8.00 [203.2]	8.00 [203.2]	OBSOLETE
1-849616-0	36.00 [914.4]	8.00 [203.2]	8.00 [203.2]	
1-849616-1	96.00 [2438.4]	8.00 [203.2]	8.00 [203.2]	OBSOLETE
1-849616-2	96.00 [2438.4]	-	-	OBSOLETE
1-849616-3	72.00 [1828.8]	12.00 [304.8]	12.00 [304.8]	OBSOLETE
1-849616-4	180.00 [4572.0]	8.00 [203.2]	8.00 [203.2]	OBSOLETE
1-849616-5	18.00 [457.2]	12.00 [304.8]	12.00 [304.8]	OBSOLETE
1-849616-6	8.50 [215.9]	12.00 [304.8]	12.00 [304.8]	OBSOLETE
1-849616-7	1440.00 [36576.0]	12.00 [304.8]	12.00 [304.8]	OBSOLETE
1-849616-8	720.00 [18288.0]	12.00 [304.8]	12.00 [304.8]	OBSOLETE
1-849616-9	900.00 [22860.0]	12.00 [304.8]	12.00 [304.8]	OBSOLETE
2-849616-0	1080.00 [27432.0]	12.00 [304.8]	12.00 [304.8]	OBSOLETE
2-849616-1	30.00 [762.0]	12.00 [304.8]	12.00 [304.8]	OBSOLETE
2-849616-2	60.00 [1524.0]	12.00 [304.8]	12.00 [304.8]	△5
2-849616-3	128.00 [3251.2]	12.00 [304.8]	12.00 [304.8]	△5
2-849616-4	134.00 [3403.6]	12.00 [304.8]	12.00 [304.8]	OBSOLETE
2-849616-5	132.00 [3352.8]	12.00 [304.8]	12.00 [304.8]	OBSOLETE
2-849616-6	120.00 [3048.0]	12.00 [304.8]	12.00 [304.8]	OBSOLETE
2-849616-7	101.00 [2565.4]	12.00 [304.8]	12.00 [304.8]	OBSOLETE
2-849616-8	150.00 [3810.0]	12.00 [304.8]	12.00 [304.8]	OBSOLETE
2-849616-9	20.00 [508.0]	8.00 [203.2]	-	OBSOLETE
3-849616-0	24.00 [609.6]	6.00 [152.4]	6.00 [152.4]	△5
7-849616-2	60.00 [1524.0]	12.00 [304.8]	12.00 [304.8]	△6

- △1 TOLERANCE OF LEAD LENGTH:  
UP TO 24 INCHES [609.6] = ±.12 [3.0]  
24 INCHES [609.6] & UP = 1%
- △2 MARKED PER MIL-STD-130.
- 3. TO MATE WITH AMP LGH-1L  
RECEPTACLE WITH 1.69 [42.9] BARREL DEPTH.
- 4. OPERATING VOLTAGE: 25 KVDC AT 0 TO 70,000  
FEET, -55°C TO 125°C.
- △5 PIGTAIL SOLDER DIPPED.
- △6 INSULATION CUT TO LENGTH, BUT NOT REMOVED.



THIS DRAWING IS A CONTROLLED DOCUMENT.

DIMENSIONS: INCHES	TOLERANCES UNLESS OTHERWISE SPECIFIED: 0 PLC ± - 1 PLC ± - 2 PLC ± .02 [0.5] 3 PLC ± - 4 PLC ± - ANGLES ± - FINISH SEE CALLOUTS	DWN C.C.THOMAS 25-MAR-90 CHK D. EABY 28-MAR-90 APVD D. EABY 28-MAR-90 PRODUCT SPEC APPLICATION SPEC WEIGHT - CUSTOMER DRAWING	Tyco Electronics Corporation Harrisburg, Pa 17105-3608 NAME LEAD ASSEMBLY DBL END, LGH-1L SHIELDED & GLASS BRAID SIZE A2 CAGE CODE 00779 DRAWING NO C=849616 RESTRICTED TO - SCALE 1:1 SHEET 1 OF 1 REV U
-----------------------	--	--	--