



Chipsmall Limited consists of a professional team with an average of over 10 year of expertise in the distribution of electronic components. Based in Hongkong, we have already established firm and mutual-benefit business relationships with customers from,Europe,America and south Asia,supplying obsolete and hard-to-find components to meet their specific needs.

With the principle of “Quality Parts,Customers Priority,Honest Operation,and Considerate Service”,our business mainly focus on the distribution of electronic components. Line cards we deal with include Microchip,ALPS,ROHM,Xilinx,Pulse,ON,Everlight and Freescale. Main products comprise IC,Modules,Potentiometer,IC Socket,Relay,Connector.Our parts cover such applications as commercial,industrial, and automotives areas.

We are looking forward to setting up business relationship with you and hope to provide you with the best service and solution. Let us make a better world for our industry!



Contact us

Tel: +86-755-8981 8866 Fax: +86-755-8427 6832

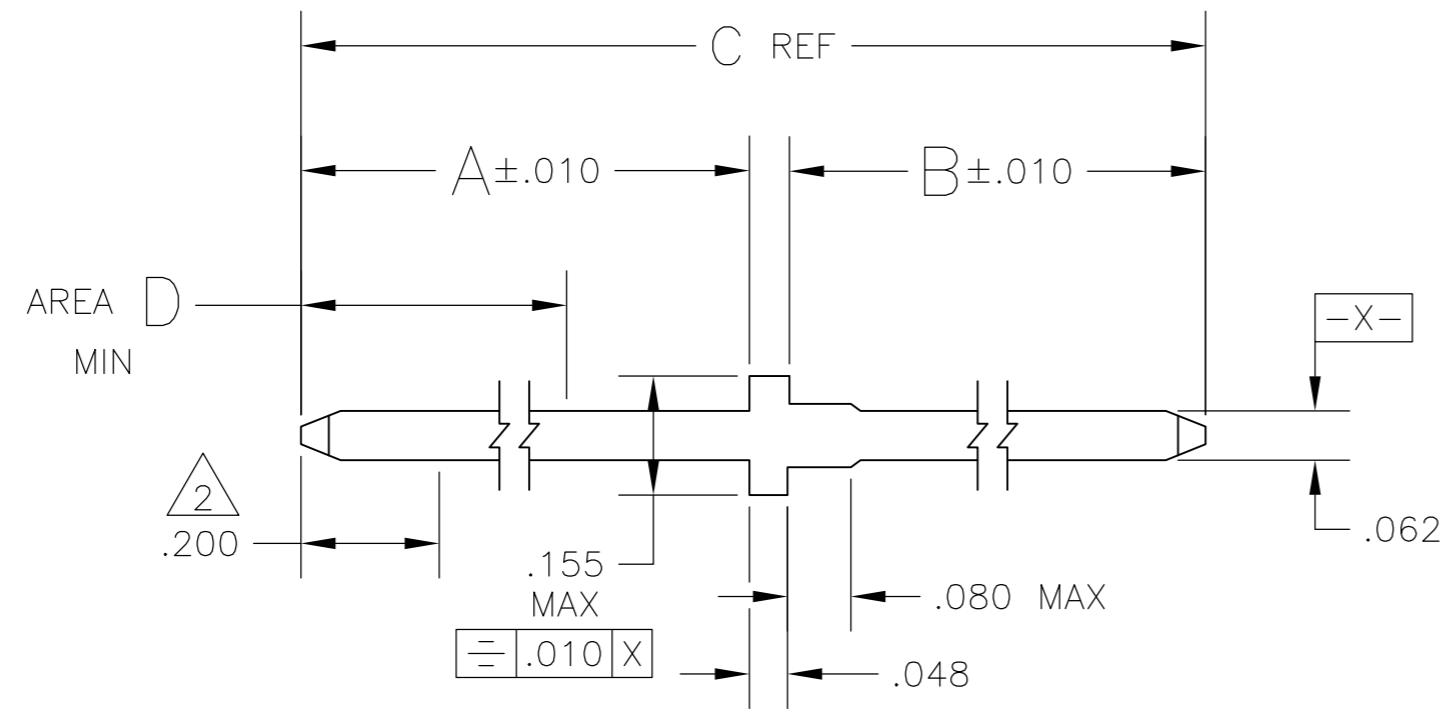
Email & Skype: info@chipsmall.com Web: www.chipsmall.com

Address: A1208, Overseas Decoration Building, #122 Zhenhua RD., Futian, Shenzhen, China



THIS DRAWING IS UNPUBLISHED. RELEASED FOR PUBLICATION
 © COPYRIGHT BY TYCO ELECTRONICS CORPORATION. ALL RIGHTS RESERVED.

LOC	DIST	REVISIONS					
AD	00	P	LTR	DESCRIPTION	DATE	DWN	APVD
		L1		REVISED PER ECO-09-020932	07SEP09	KK	AEG



1. THIS POINT IS NOT COMPATIBLE WITH TERMI-POINT APPLICATIONS.
- 2 POINT OF MEASUREMENT FOR PLATING THICKNESS.
- 3 .000015 MIN OVER .000050 MIN NICKEL.
- 4 .000030 MIN GOLD OVER .000050 MIN NICKEL.
- 5 .000010-.000200 BRIGHT TIN OVER .000030 NICKEL.
- 6 .000030 GOLD IN AREA D,.0000100-.000200 BRIGHT TIN-LEAD ON TERMINATION AREA , ALL OVER .000050 NICKEL ENTIRE POST.
- 7 .000050 GOLD IN AREA D,.0000100-.000200 BRIGHT TIN-LEAD ON TERMINATION AREA , ALL OVER .000050 NICKEL ENTIRE POST.
- 8 OBSOLETE PART NUMBER.
- 9 BRASS #4 HARD.
- 10 OBSOLETE PARTS: OBSOLETE CIS STREAMLINING PER D.RENAUD/D.SINISI

D	C	B	A	FINISH	PART NUMBER
.690	.998	.150	.800	7	5-86182-1
.640	1.175	.375	.750	8	5-86182-0
.625	.875	.092	.735	8	4-86182-9
.560	.843	.125	.670	8	4-86182-8
.455	.800	.187	.565	8	4-86182-7
.250	.595	.187	.360	8	4-86182-6
.240	.798	.400	.350	7	4-86182-5
.890	1.198	.150	1.000	6	4-86182-4
.690	.998	.150	.800	8	4-86182-3
.560	.843	.125	.670	8	4-86182-2
.490	1.273	.625	.600	8	4-86182-1
.460	.748	.130	.570	8	4-86182-0
.455	1.143	.530	.565	8	3-86182-9
.455	.800	.187	.565	8	3-86182-8
.370	.715	.187	.480	8	3-86182-7
.290	.573	.125	.400	8	3-86182-6
.270	.748	.320	.380	8	3-86182-5
.250	.595	.187	.360	8	3-86182-4
.240	.798	.400	.350	6	3-86182-3
	.828	.530	.250	5	3-86182-2
	.798	.400	.350	3	3-86182-1
	.595	.187	.360	3	3-86182-0
10 OBSOLETE	.573	.125	.400	4	2-86182-9
OBSOLETE	.875	.092	.735	3	2-86182-8
	1.198	.150	1.000	5	2-86182-7
	.748	.130	.570	5	2-86182-6
	.573	.125	.400	5	2-86182-5
	.798	.400	.350	4	2-86182-4
	.843	.125	.670	5	2-86182-3
	.715	.187	.480	5	2-86182-2
	1.175	.375	.750	3	2-86182-1
	.748	.130	.570	4	2-86182-0
	.798	.400	.350	5	1-86182-9
	.715	.187	.480	4	1-86182-8
	.843	.125	.670	3	1-86182-7
	1.198	.150	1.000	4	1-86182-6
	.748	.320	.380	4	1-86182-5
	.800	.187	.565	3	1-86182-4
	.998	.150	.800	3	1-86182-3
	.998	.150	.800	4	1-86182-2
	.843	.125	.670	4	1-86182-1
	.998	.150	.800	5	1-86182-0
10 OBSOLETE	.748	.320	.380	5	86182-9
	.800	.187	.565	4	86182-8
	.595	.187	.360	4	86182-7
	1.143	.530	.565	4	86182-6
	1.273	.625	.600	4	86182-5
	1.273	.625	.600	5	86182-4
	1.143	.530	.565	5	86182-3
10 OBSOLETE	.595	.187	.360	5	86182-2
	.800	.187	.565	5	86182-1

THIS DRAWING IS A CONTROLLED DOCUMENT.		DWN B. HAYMAKER 27JAN00	Tyco Electronics Corporation Harrisburg, Pa 17105-3608	
DIMENSIONS: INCHES		CHK M.ZITTO 27JAN00	NAME CONTACT, MALE, MOD 1 LOOSE PIECE .031X.062	
TOLERANCES UNLESS OTHERWISE SPECIFIED: 0 PLC ± - 1 PLC ± - 2 PLC ± - 3 PLC ± 0.13[.005] 4 PLC ± - ANGLES ± -		APVD M.ZITTO 27JAN00	PRODUCT SPEC -	
MATERIAL 9		FINISH -	APPLICATION SPEC -	RESTRICTED TO -
WEIGHT -		SIZE A2	CAGE CODE 00779	DRAWING NO C=86182
CUSTOMER DRAWING		SCALE 4:1	SHEET 1 OF 1	REV L1