



Chipsmall Limited consists of a professional team with an average of over 10 year of expertise in the distribution of electronic components. Based in Hongkong, we have already established firm and mutual-benefit business relationships with customers from,Europe,America and south Asia,supplying obsolete and hard-to-find components to meet their specific needs.

With the principle of “Quality Parts,Customers Priority,Honest Operation,and Considerate Service”,our business mainly focus on the distribution of electronic components. Line cards we deal with include Microchip,ALPS,ROHM,Xilinx,Pulse,ON,Everlight and Freescale. Main products comprise IC,Modules,Potentiometer,IC Socket,Relay,Connector.Our parts cover such applications as commercial,industrial, and automotives areas.

We are looking forward to setting up business relationship with you and hope to provide you with the best service and solution. Let us make a better world for our industry!



## Contact us

Tel: +86-755-8981 8866 Fax: +86-755-8427 6832

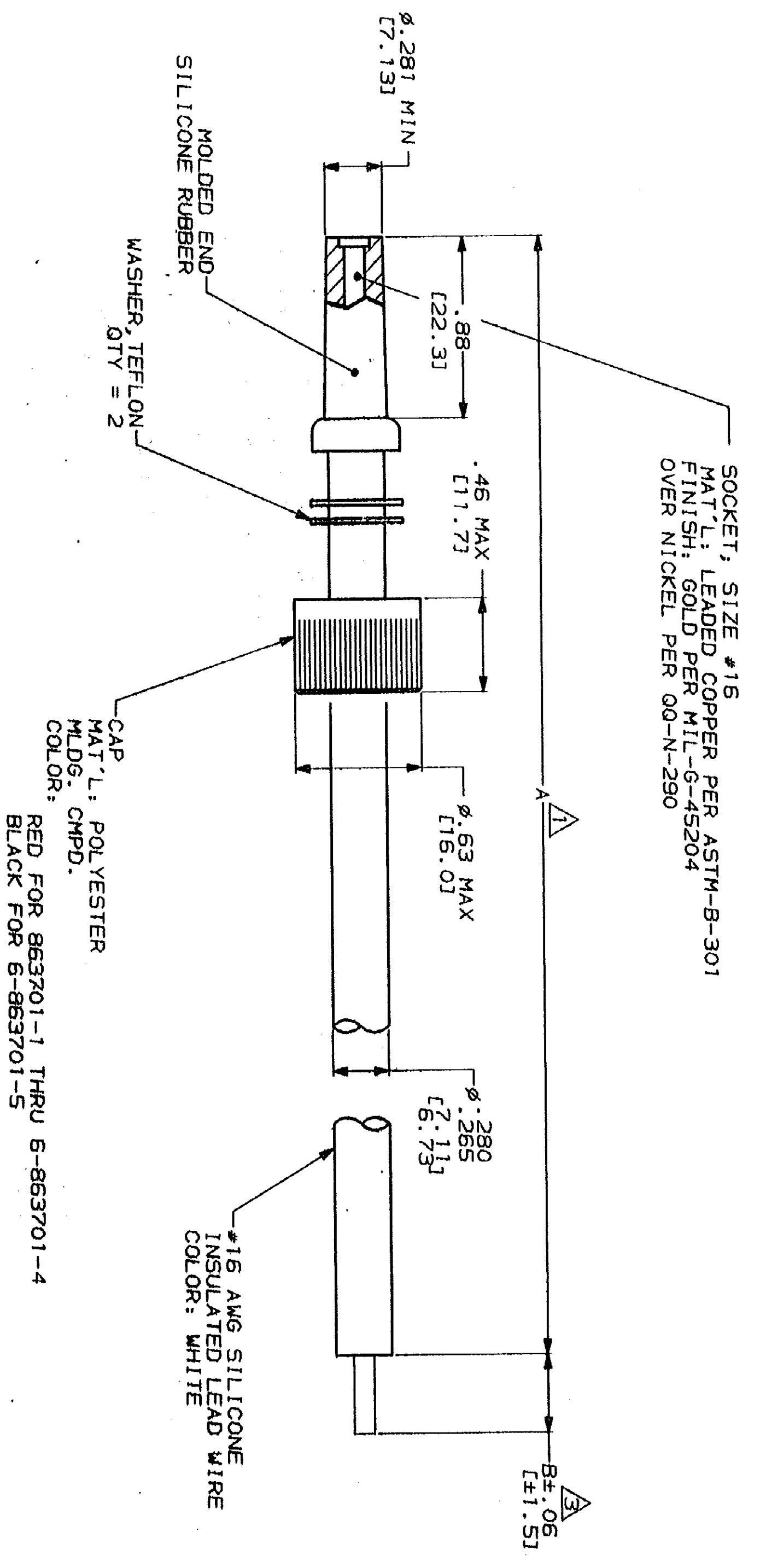
Email & Skype: info@chipsmall.com Web: www.chipsmall.com

Address: A1208, Overseas Decoration Building, #122 Zhenhua RD., Futian, Shenzhen, China



PART NO.	A	B
5-863701-1	15.75 [1400.01]	OBSOLETE
5-863701-2	7.00 [172.81]	OBSOLETE
5-863701-3	13.00 [330.21]	OBSOLETE
5-863701-4	11.50 [292.11]	OBSOLETE
5-863701-5	4.75 [120.61]	OBSOLETE
5-863701-6	14.40 [365.76]	OBSOLETE
5-863701-7	50.00 [1270.01]	OBSOLETE
5-863701-8	84.00 [2133.61]	OBSOLETE
5-863701-9	5.25 [133.31]	OBSOLETE
6-863701-0	80.00 [2032.01]	OBSOLETE
6-863701-1	19.50 [495.31]	OBSOLETE
6-863701-2	39.50 [1003.31]	OBSOLETE
6-863701-3	12.50 [317.51]	OBSOLETE
6-863701-4	30.00 [762.01]	OBSOLETE
6-863701-5	12.00 [304.81]	OBSOLETE

PART NO.	A	B
863701-1	11.00 [279.41]	OBSOLETE
863701-2	24.00 [609.61]	OBSOLETE
863701-3	6.50 [165.11]	OBSOLETE
863701-4	9.00 [228.61]	OBSOLETE
863701-5	36.00 [914.41]	OBSOLETE
863701-6	30.00 [762.01]	OBSOLETE
863701-7	6.00 [152.41]	OBSOLETE
863701-8	24.00 [609.61]	OBSOLETE
863701-9	20.00 [508.01]	OBSOLETE
1-863701-0	18.00 [457.21]	OBSOLETE
1-863701-1	12.00 [304.81]	OBSOLETE
1-863701-2	3.50 [88.91]	OBSOLETE
1-863701-3	48.00 [1219.21]	OBSOLETE
1-863701-4	120.00 [3048.01]	OBSOLETE
1-863701-5	620.00 [15748.01]	OBSOLETE
1-863701-6	96.00 [2438.41]	OBSOLETE
1-863701-7	35.00 [889.01]	OBSOLETE
1-863701-8	26.00 [660.41]	OBSOLETE
1-863701-9	16.00 [406.41]	OBSOLETE
2-863701-0	25.00 [635.01]	OBSOLETE
2-863701-1	28.00 [711.21]	OBSOLETE
2-863701-2	12.00 [304.81]	OBSOLETE
2-863701-3	27.00 [685.81]	OBSOLETE
2-863701-4	180.00 [4572.01]	OBSOLETE
2-863701-5	240.00 [6096.01]	OBSOLETE
2-863701-6	72.00 [1828.81]	OBSOLETE
2-863701-7	48.00 [1219.21]	OBSOLETE
2-863701-8	9.50 [241.31]	OBSOLETE
2-863701-9	54.00 [1371.61]	OBSOLETE
3-863701-0	15.00 [381.01]	OBSOLETE
3-863701-1	72.00 [1828.81]	OBSOLETE
3-863701-2	22.00 [558.81]	OBSOLETE
3-863701-3	9.00 [228.61]	OBSOLETE
3-863701-4	4.50 [114.31]	OBSOLETE
3-863701-5	15.43 [391.91]	OBSOLETE
3-863701-6	11.00 [279.41]	OBSOLETE
3-863701-7	15.00 [381.01]	OBSOLETE
3-863701-8	29.00 [736.61]	OBSOLETE
3-863701-9	96.00 [2438.41]	OBSOLETE
4-863701-0	73.00 [1854.21]	OBSOLETE
4-863701-1	40.00 [1016.01]	OBSOLETE
4-863701-2	60.00 [1524.01]	OBSOLETE
4-863701-3	42.00 [1066.81]	OBSOLETE
4-863701-4	4.00 [101.61]	OBSOLETE
4-863701-5	10.00 [254.01]	OBSOLETE
4-863701-6	14.00 [355.61]	OBSOLETE
4-863701-7	8.00 [203.21]	OBSOLETE
4-863701-8	5.50 [139.71]	OBSOLETE
4-863701-9	3.00 [76.21]	OBSOLETE
5-863701-0	19.00 [482.61]	OBSOLETE



- 1. TOLERANCE OF LEAD LENGTH: UP TO 24 INCHES [609.61] = ±.12 [3.01] 24 INCHES [609.61] & UP = ±1%
- 2. MARKED PER MIL-STD-130.
- 3. PIGTAIL IS SOLDER DIPPED.
- 4. TO MATE WITH AMP LGH-1 RECEPTACLE WITH .88 BARREL DEPTH.
- 5. OPERATING VOLTAGE: 20 KVDC AT 0 TO 70,000 FEET, -55°C TO 125°C.

DO NOT SCALE PRINT. UNLESS SPECIFIED DIMENSIONS IN INCHES [mm] 1 P.L.C. DEC = .02 [0.51] 2 P.L.C. DEC = .01 [0.25] ANGLES MATERIAL	DR 11-2-90 C.C. THOMAS	DATE 11-4-90
SEE CALLOUTS	APPROVED BY [Signature]	11/7/90
FINISH	APPLICATION SPEC	SCALE 2:1
SIZE D	CASE CODE 00779	DRAWING NO 863701
WEIGHT		SHEET 1 OF 1

CUSTOMER DRAWING