



Chipsmall Limited consists of a professional team with an average of over 10 year of expertise in the distribution of electronic components. Based in Hongkong, we have already established firm and mutual-benefit business relationships with customers from,Europe,America and south Asia,supplying obsolete and hard-to-find components to meet their specific needs.

With the principle of “Quality Parts,Customers Priority,Honest Operation,and Considerate Service”,our business mainly focus on the distribution of electronic components. Line cards we deal with include Microchip,ALPS,ROHM,Xilinx,Pulse,ON,Everlight and Freescale. Main products comprise IC,Modules,Potentiometer,IC Socket,Relay,Connector.Our parts cover such applications as commercial,industrial, and automotives areas.

We are looking forward to setting up business relationship with you and hope to provide you with the best service and solution. Let us make a better world for our industry!



Contact us

Tel: +86-755-8981 8866 Fax: +86-755-8427 6832

Email & Skype: info@chipsmall.com Web: www.chipsmall.com

Address: A1208, Overseas Decoration Building, #122 Zhenhua RD., Futian, Shenzhen, China

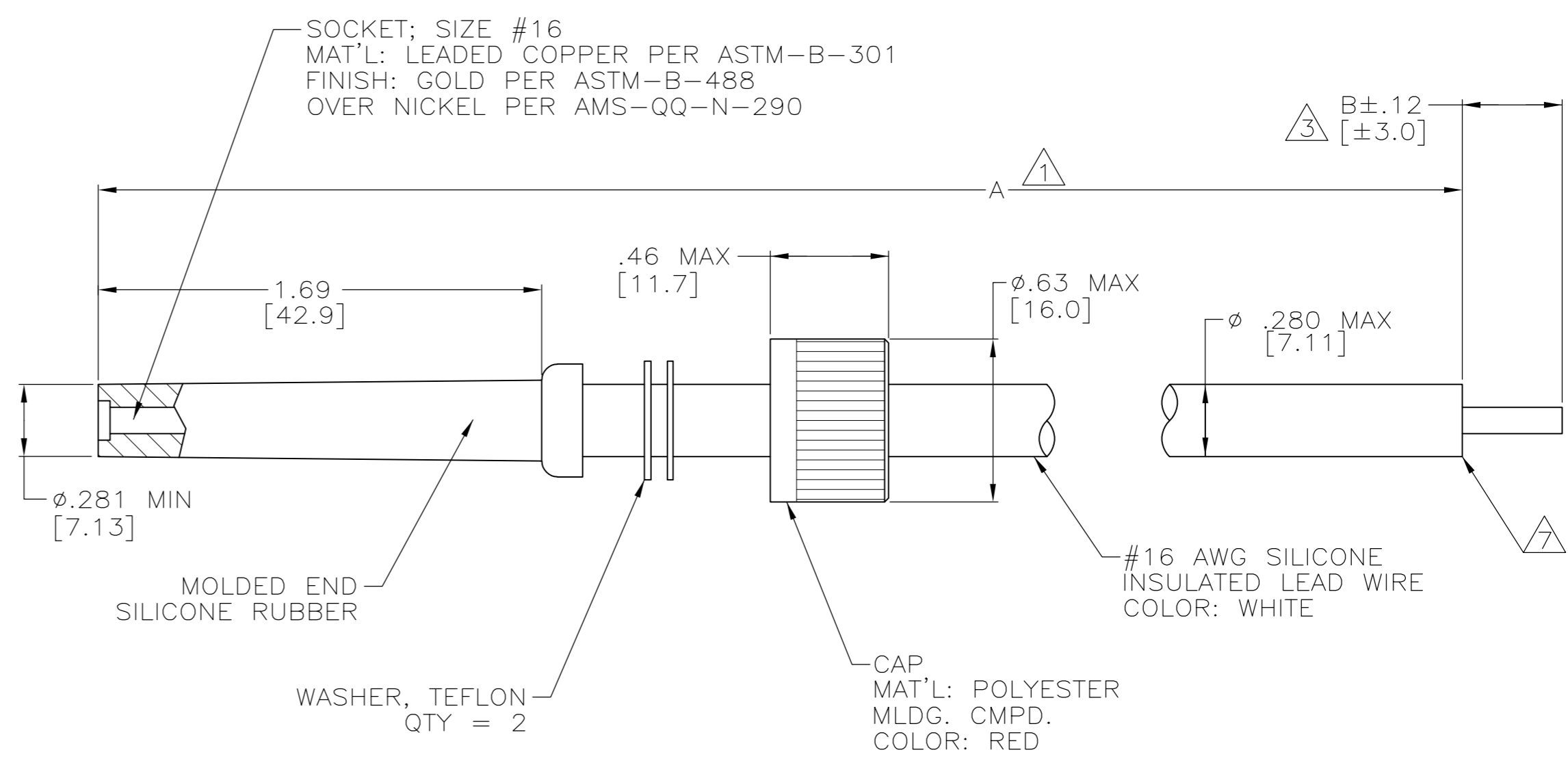


THIS DRAWING IS UNPUBLISHED. RELEASED FOR PUBLICATION - N/A .
 © COPYRIGHT N/A By - ALL RIGHTS RESERVED.

LOC		DIST		REVISIONS			
P	LTR	DESCRIPTION	DATE	DWN	APVD		
J		REV PER ECO 12-021676	12-11-12	CT	DE		

PART NO.	A ¹	B	REMARKS
863705-1	11.00 [279.4]	-	³ OBSOLETE
863705-2	24.00 [609.6]	-	³ OBSOLETE
863705-3	6.50 [165.1]	.50 [12.7]	³
863705-4	9.00 [228.6]	-	³ OBSOLETE
863705-5	36.00 [914.4]	.38 [9.7]	³
863705-6	30.00 [762.0]	-	³
863705-7	72.00 [1828.8]	-	³ OBSOLETE
863705-8	47.25 [1200.1]	.50 [12.7]	³ OBSOLETE
863705-9	20.25 [514.3]	.50 [12.7]	³ OBSOLETE
1-863705-0	8.00 [203.2]	.50 [12.7]	³
1-863705-1	36.00 [914.4]	-	³ OBSOLETE
1-863705-2	12.00 [304.8]	.38 [9.7]	³
1-863705-3	18.00 [457.2]	.38 [9.7]	³ OBSOLETE
1-863705-4	108.00 [2743.2]	-	³ OBSOLETE
1-863705-5	180.00 [4572.0]	-	³ OBSOLETE
1-863705-6	60.00 [1524.0]	.38 [9.7]	³
1-863705-7	26.00 [660.4]	.38 [9.7]	³ OBSOLETE
1-863705-8	42.00 [1066.8]	.38 [9.7]	³ OBSOLETE
1-863705-9	54.00 [1371.6]	.38 [9.7]	³ OBSOLETE
2-863705-0	5.00 [127.0]	.38 [9.7]	³ OBSOLETE
2-863705-1	6.00 [152.4]	.38 [9.7]	³ OBSOLETE
2-863705-2	264.00 [6705.6]	.38 [9.7]	³ OBSOLETE
2-863705-3	17.00 [431.8]	.50 [12.7]	³ OBSOLETE
2-863705-4	48.00 [1219.2]	.38 [9.7]	³ OBSOLETE
2-863705-5	15.75 [400.0]	-	³ OBSOLETE
2-863705-6	10.25 [260.3]	.38 [9.7]	³
2-863705-7	14.00 [355.6]	.38 [9.7]	³ OBSOLETE
2-863705-8	24.00 [609.6]	.38 [9.7]	³ OBSOLETE
2-863705-9	240.00 [6096.0]	.38 [9.7]	³ OBSOLETE
3-863705-0	84.00 [2133.6]	.38 [9.7]	³ OBSOLETE
3-863705-1	120.00 [3048.0]	.38 [9.7]	³ OBSOLETE
3-863705-2	96.00 [2438.4]	.38 [9.7]	³ OBSOLETE
3-863705-3	20.00 [508.0]	.38 [9.7]	³ OBSOLETE
3-863705-4	15.00 [381.0]	.38 [9.7]	³ OBSOLETE
3-863705-5	4.00 [101.6]	.38 [9.7]	³
3-863705-6	118.00 [2997.2]	.38 [9.7]	³ OBSOLETE
3-863705-7	25.00 [635.0]	.38 [9.7]	³ OBSOLETE
3-863705-8	30.00 [762.0]	.38 [9.7]	³ OBSOLETE
3-863705-9	4.00 [101.6]	.38 [9.7]	³ ⁶
6-863705-0	8.00 [203.2]	.50 [12.7]	⁷
7-863705-8	24.00 [609.6]	.38 [9.7]	⁷

- ¹ TOLERANCE OF LEAD LENGTH:
UP TO 24 INCHES [609.6] = ±.12 [±3.0]
24 INCHES [609.6] & UP = ±1%
- 2. MARKED PER MIL-STD-130.
- 3. PIGTAIL IS SOLDER DIPPED.
- 4. TO MATE WITH AMP LGH-1L RECEPTACLE WITH 1.69 [42.93] BARREL DEPTH.
- 5. OPERATING VOLTAGE: 25 KVDC AT 0 TO 70,000 FEET; -55°C TO 125°C.
- ⁶ 3-863705-9 IS PACKAGED PER CUSTOMER SPEC 301-0002-330.
- ⁷ INSULATION CUT, BUT NOT REMOVED.



THIS DRAWING IS A CONTROLLED DOCUMENT.		DWN	24-MAR-93	STE TE Connectivity	
DIMENSIONS: INCHES [mm]		CHK	01-APR-93		
TOLERANCES UNLESS OTHERWISE SPECIFIED:		APVD	01-APR-93	NAME	
0 PLC ± -		S.GLATFELTER		LEAD ASSY	
1 PLC ± -		S.GLATFELTER		SGL END	
2 PLC ± .02 [0.5]		S.GLATFELTER		LGH-1L	
3 PLC ± -		S.GLATFELTER		SIZE	
4 PLC ± -		S.GLATFELTER		CAGE CODE	
ANGLES ± -	FINISH		DRAWING NO		RESTRICTED TO
SEE CALLOUTS	SEE CALLOUTS		A2 00779 C-863705		-
MATERIAL		WEIGHT		SCALE	
SEE CALLOUTS		-		2:1	
CUSTOMER DRAWING		SHEET		1 OF 1	
		REV		J	