



Chipsmall Limited consists of a professional team with an average of over 10 year of expertise in the distribution of electronic components. Based in Hongkong, we have already established firm and mutual-benefit business relationships with customers from,Europe,America and south Asia,supplying obsolete and hard-to-find components to meet their specific needs.

With the principle of "Quality Parts,Customers Priority,Honest Operation,and Considerate Service",our business mainly focus on the distribution of electronic components. Line cards we deal with include Microchip,ALPS,ROHM,Xilinx,Pulse,ON,Everlight and Freescale. Main products comprise IC,Modules,Potentiometer,IC Socket,Relay,Connector.Our parts cover such applications as commercial,industrial, and automotives areas.

We are looking forward to setting up business relationship with you and hope to provide you with the best service and solution. Let us make a better world for our industry!



Contact us

Tel: +86-755-8981 8866 Fax: +86-755-8427 6832

Email & Skype: info@chipsmall.com Web: www.chipsmall.com

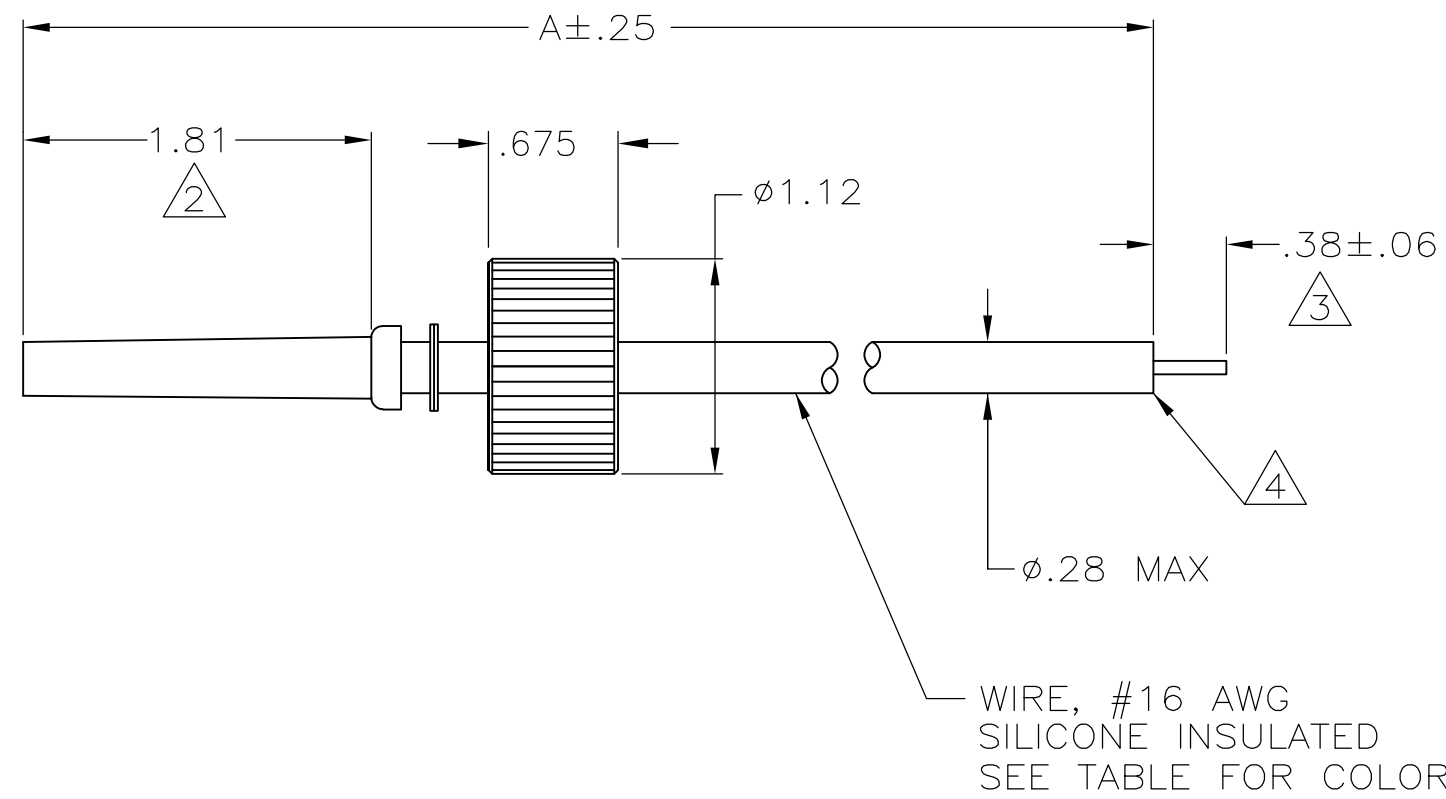
Address: A1208, Overseas Decoration Building, #122 Zhenhua RD., Futian, Shenzhen, China



THIS DRAWING IS UNPUBLISHED. RELEASED FOR PUBLICATION - .N/A .
 © COPYRIGHT N/A By - ALL RIGHTS RESERVED.


LOC	DIST	REVISIONS			
P	LTR	DESCRIPTION	DATE	DWN	APVD
	D	ECO-13-005473	4-17-13	CT	DE

- 1. MARKED PER MIL-STD-130.
- 2 TO MATE WITH AMP LGH-3 RECEPTACLE WITH 1.81 BARREL DEPTH.
- 3 PIGTAIL IS SOLDER DIPPED.
- 4 INSULATION CUT, BUT NOT REMOVED.



4	36.00	GREEN	6-869084-3
4	36.00	WHITE WITH YELLOW STRIPE	6-869084-2
4	24.00	WHITE	5-869084-9
4	24.00	GREEN	5-869084-8
4	24.00	WHITE WITH YELLOW STRIPE	5-869084-7
4	24.00	BROWN	5-869084-6
4	18.00	WHITE WITH YELLOW STRIPE	5-869084-3
3	36.00	GREEN	1-869084-3
3	36.00	WHITE WITH YELLOW STRIPE	1-869084-2
3	48.00	RED	1-869084-1
3	36.00	BROWN	1-869084-0
3	24.00	WHITE	869084-9
3	24.00	GREEN	869084-8
3	24.00	WHITE WITH YELLOW STRIPE	869084-7
3	24.00	BROWN	869084-6
3	18.00	WHITE	869084-5
3	18.00	GREEN	869084-4
3	18.00	WHITE WITH YELLOW STRIPE	869084-3
3	18.00	RED	869084-2
3	18.00	BROWN	869084-1
REMARKS	A DIM	WIRE COLOR	PART NO

THIS DRAWING IS A CONTROLLED DOCUMENT.

DWN R.HEPNER 01-MAR-87	 TE Connectivity LEAD ASSY SINGLE END LGH-3		
CHK M.GARDNER 01-MAR-87			
APVD M.GARDNER 01-MAR-87			
PRODUCT SPEC			
MATERIAL	FINISH	NAME	RESTRICTED TO
		SIZE CAGE CODE DRAWING NO	
		A3 00779 C-869084	
CUSTOMER DRAWING		SCALE 1:1	SHEET 1 OF 1 REV D