



Chipsmall Limited consists of a professional team with an average of over 10 year of expertise in the distribution of electronic components. Based in Hongkong, we have already established firm and mutual-benefit business relationships with customers from,Europe,America and south Asia,supplying obsolete and hard-to-find components to meet their specific needs.

With the principle of “Quality Parts,Customers Priority,Honest Operation,and Considerate Service”,our business mainly focus on the distribution of electronic components. Line cards we deal with include Microchip,ALPS,ROHM,Xilinx,Pulse,ON,Everlight and Freescale. Main products comprise IC,Modules,Potentiometer,IC Socket,Relay,Connector.Our parts cover such applications as commercial,industrial, and automotives areas.

We are looking forward to setting up business relationship with you and hope to provide you with the best service and solution. Let us make a better world for our industry!



## Contact us

Tel: +86-755-8981 8866 Fax: +86-755-8427 6832

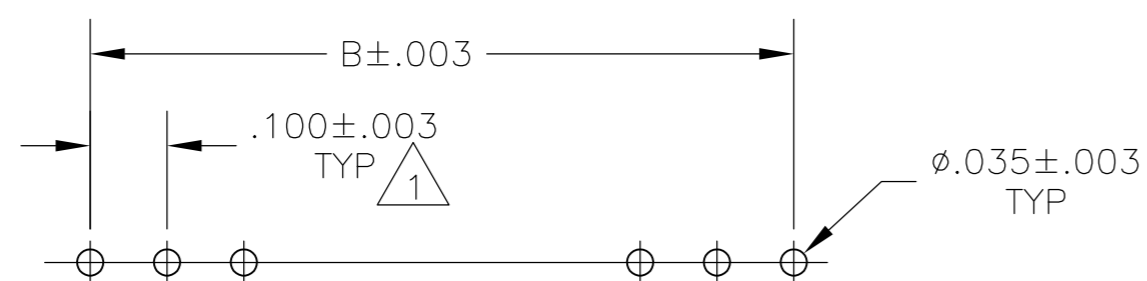
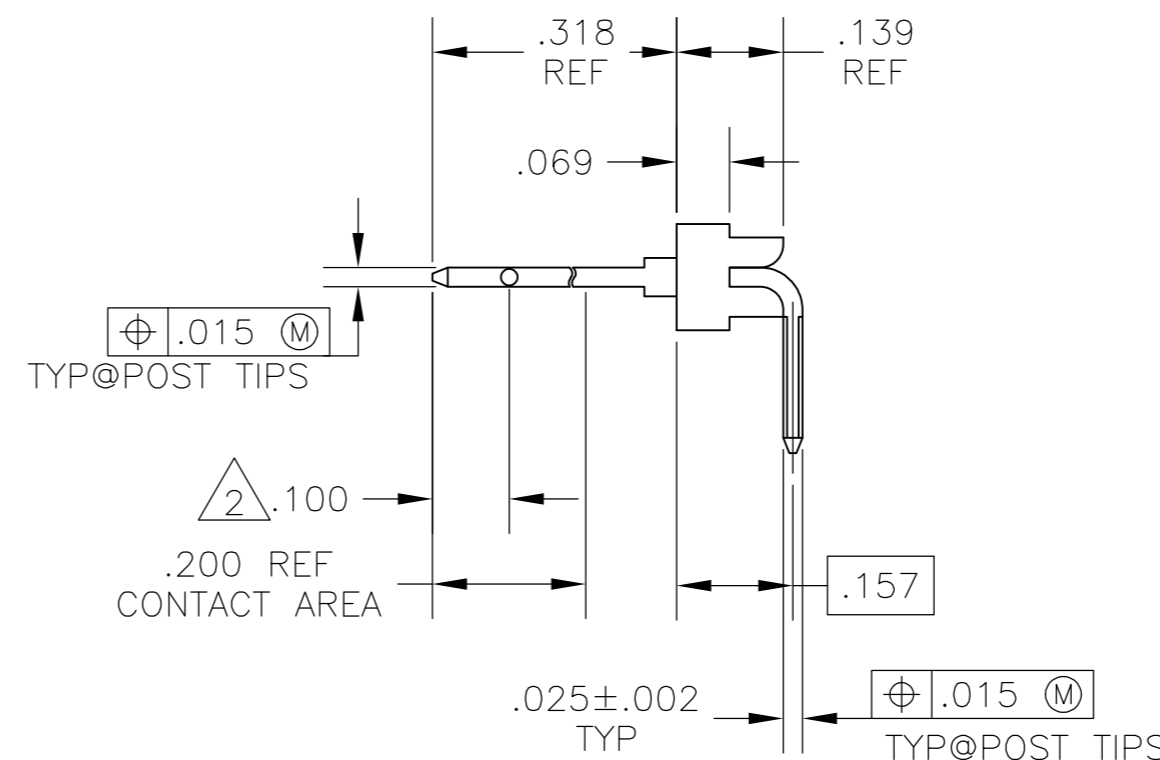
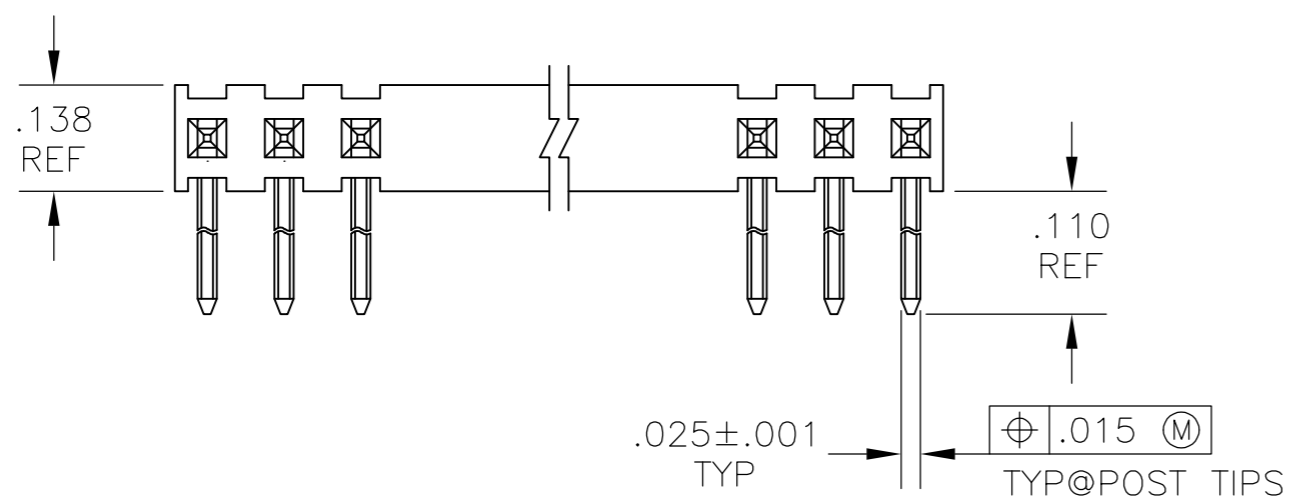
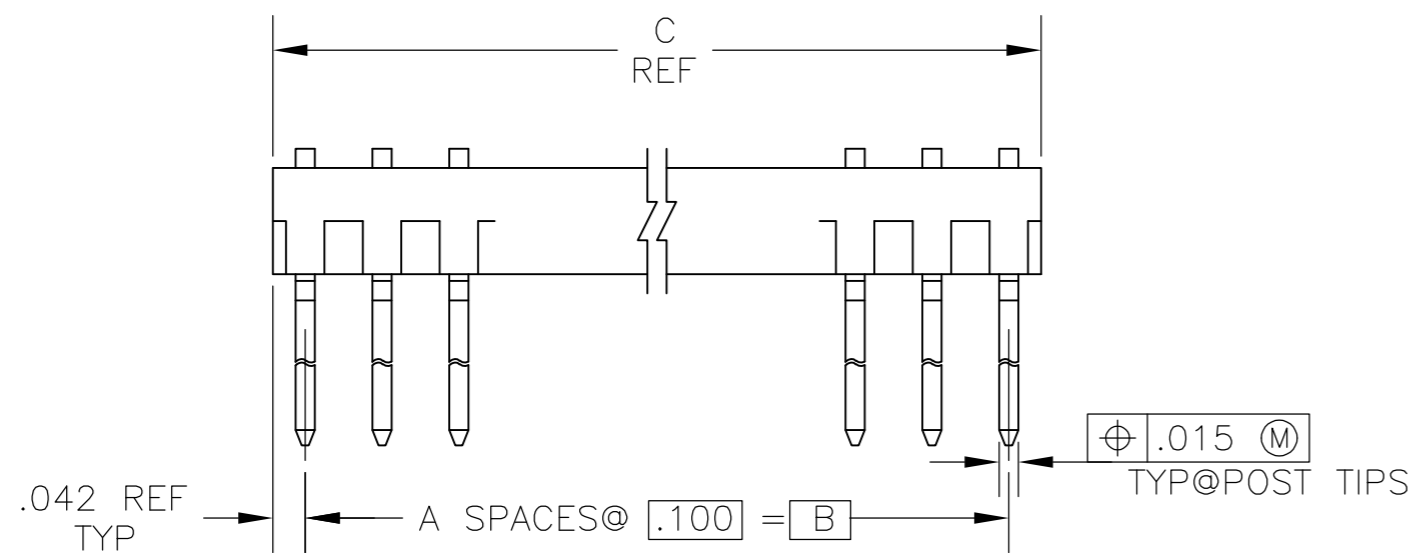
Email & Skype: info@chipsmall.com Web: www.chipsmall.com

Address: A1208, Overseas Decoration Building, #122 Zhenhua RD., Futian, Shenzhen, China



THIS DRAWING IS UNPUBLISHED. RELEASED FOR PUBLICATION  
 © COPYRIGHT - By - ALL RIGHTS RESERVED.

LOC		DIST		REVISIONS			
P	LTR	DESCRIPTION		DATE	DWN	APVD	
	J2	REVISED PER ECO-11-004820		11MAR11	RK	HMR	



RECOMMENDED HOLE LAYOUT

- 1 TOLERANCE NON-CUMULATIVE
- 2 POINT OF MEASUREMENT FOR PLATING THICKNESS
- 3 .000015 GOLD ON CONTACT AREA GOLD FLASH ON SOLDER AREA. ALL OVER .000050 NICKEL
- 4 HOUSING: FLAME RETARDANT THERMOPLASTIC  
COLOR: BLACK  
POST : PHOS. BRONZE
- 5 OBSOLETE PARTS: OBSOLETE CIS STREAMLINING PER D.RENAUD/D.SINISI

	C	B	A	NO OF POS	PART NO
5	3.984	3.900	39	40	4-87233-0
5	3.884	3.800	38	39	3-87233-9
5	3.784	3.700	37	38	3-87233-8
5	3.684	3.600	36	37	3-87233-7
5	3.584	3.500	35	36	3-87233-6
5	3.484	3.400	34	35	3-87233-5
5	3.384	3.300	33	34	3-87233-4
5	3.284	3.200	32	33	3-87233-3
5	3.184	3.100	31	32	3-87233-2
5	3.084	3.000	30	31	3-87233-1
5	2.984	2.900	29	30	3-87233-0
5	2.884	2.800	28	29	2-87233-9
5	2.784	2.700	27	28	2-87233-8
5	2.684	2.600	26	27	2-87233-7
5	2.584	2.500	25	26	2-87233-6
5	2.484	2.400	24	25	2-87233-5
5	2.384	2.300	23	24	2-87233-4
5	2.284	2.200	22	23	2-87233-3
5	2.184	2.100	21	22	2-87233-2
5	2.084	2.000	20	21	2-87233-1
5	1.984	1.900	19	20	2-87233-0
5	1.884	1.800	18	19	1-87233-9
5	1.784	1.700	17	18	1-87233-8
5	1.684	1.600	16	17	1-87233-7
5	1.584	1.500	15	16	1-87233-6
5	1.484	1.400	14	15	1-87233-5
5	1.384	1.300	13	14	1-87233-4
5	1.284	1.200	12	13	1-87233-3
5	1.184	1.100	11	12	1-87233-2
5	1.084	1.000	10	11	1-87233-1
5	.984	.900	9	10	1-87233-0
5	.884	.800	8	9	87233-9
5	.784	.700	7	8	87233-8
5	.684	.600	6	7	87233-7
5	.584	.500	5	6	87233-6
5	.484	.400	4	5	87233-5
5	.384	.300	3	4	87233-4
5	.284	.200	2	3	87233-3
5	.184	.100	1	2	87233-2
5	.084	-	-	1	87233-1

THIS DRAWING IS A CONTROLLED DOCUMENT.

DIMENSIONS: INCHES	TOLERANCES UNLESS OTHERWISE SPECIFIED:	DWN RAGHAVENDRA 24FEB09	TE Connectivity	
	0 PLC ± -	CHK GESFORD JEFFREY 24FEB09	NAME	
	1 PLC ± -	APVD GESFORD JEFFREY 24FEB09	PRODUCT SPEC	
	2 PLC ± -		APPLICATION SPEC	
	3 PLC ± .005		SIZE CAGE CODE DRAWING NO RESTRICTED TO	
	4 PLC ± -		A2 00779 C=87233	
	ANGLES ± -		WEIGHT -	
MATERIAL 4	FINISH 3		CUSTOMER DRAWING SCALE 4:1 SHEET 1 of 1 REV J2	