



Chipsmall Limited consists of a professional team with an average of over 10 year of expertise in the distribution of electronic components. Based in Hongkong, we have already established firm and mutual-benefit business relationships with customers from,Europe,America and south Asia,supplying obsolete and hard-to-find components to meet their specific needs.

With the principle of "Quality Parts,Customers Priority,Honest Operation,and Considerate Service",our business mainly focus on the distribution of electronic components. Line cards we deal with include Microchip,ALPS,ROHM,Xilinx,Pulse,ON,Everlight and Freescale. Main products comprise IC,Modules,Potentiometer,IC Socket,Relay,Connector.Our parts cover such applications as commercial,industrial, and automotives areas.

We are looking forward to setting up business relationship with you and hope to provide you with the best service and solution. Let us make a better world for our industry!



Contact us

Tel: +86-755-8981 8866 Fax: +86-755-8427 6832

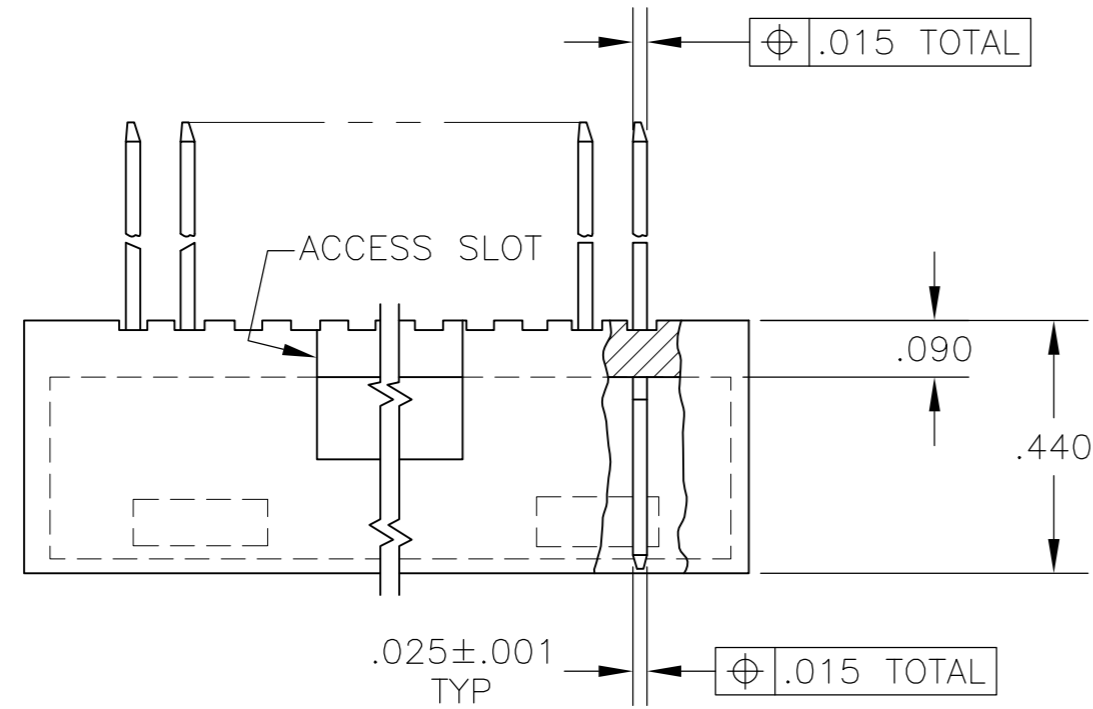
Email & Skype: info@chipsmall.com Web: www.chipsmall.com

Address: A1208, Overseas Decoration Building, #122 Zhenhua RD., Futian, Shenzhen, China

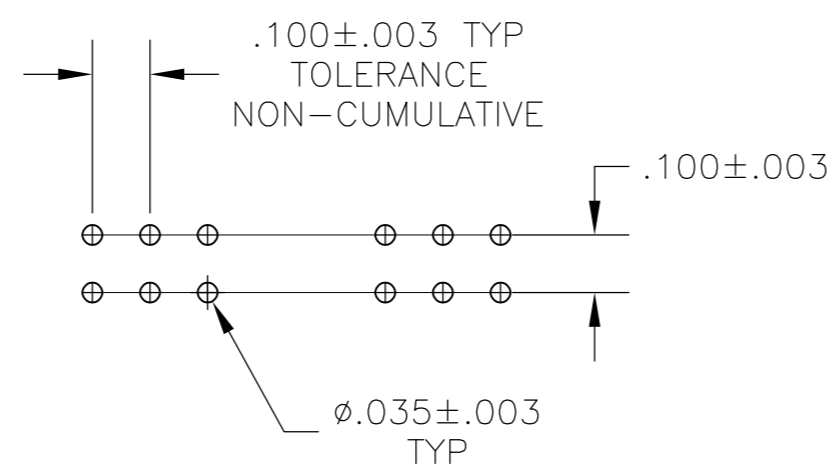
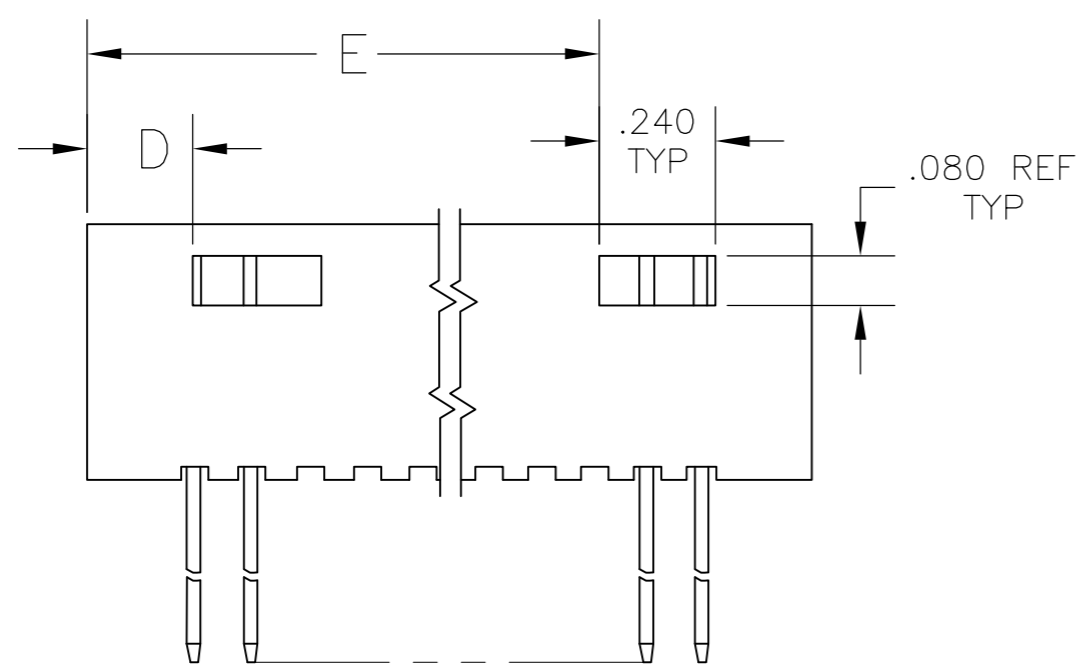
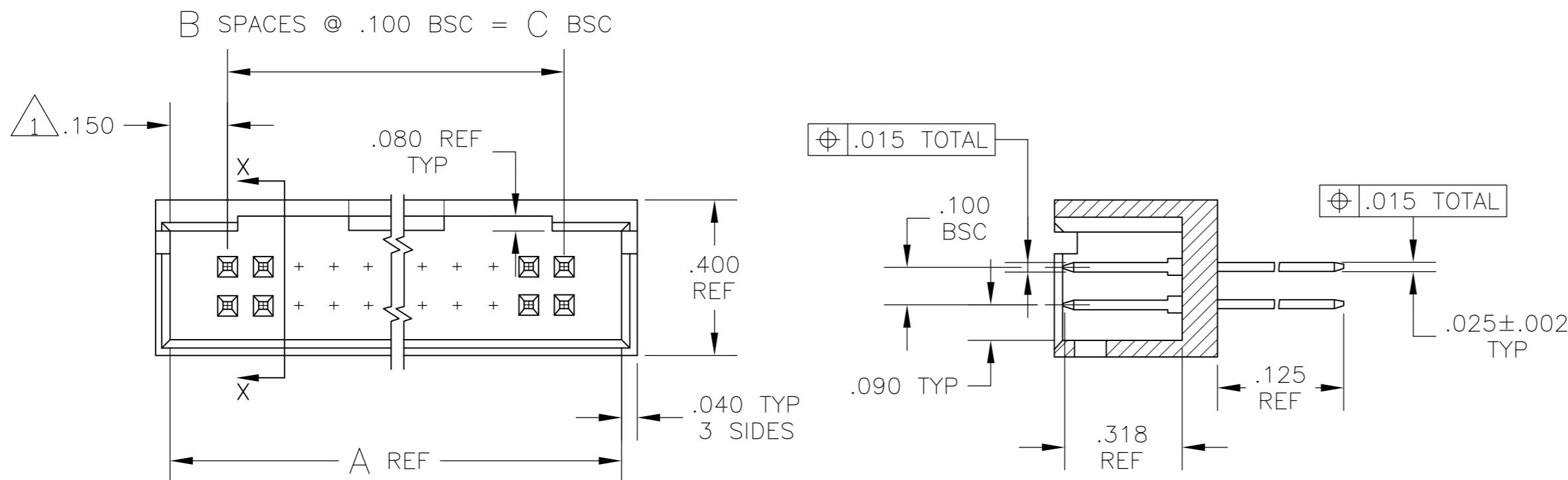


THIS DRAWING IS UNPUBLISHED. RELEASED FOR PUBLICATION
 © COPYRIGHT - By - ALL RIGHTS RESERVED.

LOC		DIST		REVISIONS			
P	LTR	DESCRIPTION	DATE	DWN	APVD		
	M2	REVISED PER ECO-11-004917	11MAR11	RK	HMR		



- 1 WILL ALSO MATE W/OTHER CONNECTORS WHICH ARE COMPATIBLE WITH THE $.150$ END DIM. WILL MATE W/MOD IV HAVING FOUR EXTRA EMPTY CIRCUITS (TWO EACH END -- EX: 20 POS HDR. POST HDR. WILL MATE W/24 POS. MOD IV HSG.)
- 2 CONTACT: $.000100$ -. $.000200$ BRIGHT TIN-LEAD OVER $.000050$ NICKEL
- 3 CONTACT: $.000100$ -. $.000200$ MATTE TIN OVER $.000050$ NICKEL
- 4 OBSOLETE PARTS: OBSOLETE CIS STREAMLINING PER D.RENAUD/D.SINISI



THIS DRAWING IS A CONTROLLED DOCUMENT.		DWN	12 SEP 75	TE TE Connectivity	
DIMENSIONS: INCHES		CHK	12 SEP 75		
TOLERANCES UNLESS OTHERWISE SPECIFIED:		APVD	15 SEP 75	NAME	
0 PLC	\pm -	PRODUCT SPEC		HEADER ASSEMBLY MOD II, $.100$ C/L	
1 PLC	\pm -	APPLICATION SPEC		$.025$ SQUARE POST, W/DETENT	
2 PLC	\pm -	WEIGHT		(MATES WITH AMP LATCH OR FFC) 1	
3 PLC	$\pm .005$	SCALE		3:1	
4 PLC	\pm -	SHEET		1 of 2	
ANGLES	\pm -	REV		M2	
FINISH	SEE TABLE	CUSTOMER DRAWING		RESTRICTED TO	
MATERIAL	HSG: GLASS FILLED NYLON COLOR: BLACK CONTACT: PHOS BRONZE	SIZE		A2 00779 C=87587	

THIS DRAWING IS UNPUBLISHED. RELEASED FOR PUBLICATION
 © COPYRIGHT - By - ALL RIGHTS RESERVED.

LOC		DIST		REVISIONS					
AD	00	P	LTR	DESCRIPTION			DATE	DWN	APVD
		-		SEE SHEET 1			-	-	-

OBSOLETE		-	.190	.300	3	.600	8	8-87587-4
		-	.190	.200	2	.500	6	8-87587-3
		3.490	.190	3.500	35	3.800	72	8-87587-2
		3.390	.190	3.400	34	3.700	70	8-87587-1
		3.290	.190	3.300	33	3.600	68	8-87587-0
		3.190	.190	3.200	32	3.500	66	7-87587-9
		3.090	.190	3.100	31	3.400	64	7-87587-8
		2.990	.190	3.000	30	3.300	62	7-87587-7
		2.890	.190	2.900	29	3.200	60	7-87587-6
		2.790	.190	2.800	28	3.100	58	7-87587-5
		2.690	.190	2.700	27	3.000	56	7-87587-4
		2.590	.190	2.600	26	2.900	54	7-87587-3
		2.490	.190	2.500	25	2.800	52	7-87587-2
		2.390	.190	2.400	24	2.700	50	7-87587-1
		2.290	.190	2.300	23	2.600	48	7-87587-0
		2.190	.190	2.200	22	2.500	46	6-87587-9
		2.090	.190	2.100	21	2.400	44	6-87587-8
		1.990	.190	2.000	20	2.300	42	6-87587-7
OBSOLETE		1.890	.190	1.900	19	2.200	40	6-87587-6
		1.790	.190	1.800	18	2.100	38	6-87587-5
		1.690	.190	1.700	17	2.000	36	6-87587-4
		1.590	.190	1.600	16	1.900	34	6-87587-3
		1.490	.190	1.500	15	1.800	32	6-87587-2
		1.390	.190	1.400	14	1.700	30	6-87587-1
		1.290	.190	1.300	13	1.600	28	6-87587-0
		1.190	.190	1.200	12	1.500	26	5-87587-9
		1.090	.190	1.100	11	1.400	24	5-87587-8
		.990	.190	1.000	10	1.300	22	5-87587-7
		.890	.190	.900	9	1.200	20	5-87587-6
		-	.490	.800	8	1.100	18	5-87587-5
		-	.390	.700	7	1.000	16	5-87587-4
		-	.390	.600	6	.900	14	5-87587-3
		-	.290	.500	5	.800	12	5-87587-2
		-	.290	.400	4	.700	10	5-87587-1
PLATING	E	D	C	B	A	NO OF POSN.	PART NO.	

OBSOLETE		-	.190	.300	3	.600	8	3-87587-4	
		-	.190	.200	2	.500	6	3-87587-3	
		3.490	.190	3.500	35	3.800	72	3-87587-2	
		3.390	.190	3.400	34	3.700	70	3-87587-1	
		3.290	.190	3.300	33	3.600	68	3-87587-0	
		3.190	.190	3.200	32	3.500	66	2-87587-9	
		3.090	.190	3.100	31	3.400	64	2-87587-8	
		2.990	.190	3.000	30	3.300	62	2-87587-7	
		2.890	.190	2.900	29	3.200	60	2-87587-6	
		2.790	.190	2.800	28	3.100	58	2-87587-5	
		2.690	.190	2.700	27	3.000	56	2-87587-4	
		2.590	.190	2.600	26	2.900	54	2-87587-3	
		2.490	.190	2.500	25	2.800	52	2-87587-2	
		2.390	.190	2.400	24	2.700	50	2-87587-1	
		2.290	.190	2.300	23	2.600	48	2-87587-0	
		2.190	.190	2.200	22	2.500	46	1-87587-9	
		2.090	.190	2.100	21	2.400	44	1-87587-8	
		1.990	.190	2.000	20	2.300	42	1-87587-7	
		1.890	.190	1.900	19	2.200	40	1-87587-6	
		1.790	.190	1.800	18	2.100	38	1-87587-5	
		1.690	.190	1.700	17	2.000	36	1-87587-4	
		1.590	.190	1.600	16	1.900	34	1-87587-3	
		1.490	.190	1.500	15	1.800	32	1-87587-2	
		1.390	.190	1.400	14	1.700	30	1-87587-1	
		1.290	.190	1.300	13	1.600	28	1-87587-0	
		1.190	.190	1.200	12	1.500	26	87587-9	
		1.090	.190	1.100	11	1.400	24	87587-8	
		.990	.190	1.000	10	1.300	22	87587-7	
		.890	.190	.900	9	1.200	20	87587-6	
		-	.490	.800	8	1.100	18	87587-5	
		-	.390	.700	7	1.000	16	87587-4	
		-	.390	.600	6	.900	14	87587-3	
		-	.290	.500	5	.800	12	87587-2	
		-	.290	.400	4	.700	10	87587-1	
	PLATING	E	D	C	B	A	NO OF POSN.	PART NO.	

THIS DRAWING IS A CONTROLLED DOCUMENT.

DWN	12 SEP 75
CHK	12 SEP 75
APVD	15 SEP 75

STE TE Connectivity

NAME: HEADER ASSEMBLY MOD II, .100 C/L
 .025 SQUARE POST, W/DETENT
 (MATES WITH AMP LATCH OR FFC)

SIZE: A2 CAGE CODE: 00779 DRAWING NO: C-87587

MATERIAL: HSG: GLASS FILLED NYLON
 COLOR: BLACK
 CONTACT: PHOS BRONZE

FINISH: SEE TABLE

WEIGHT: -

CUSTOMER DRAWING

SCALE: 1:1 SHEET: 2 OF 2 REV: M2