



Chipsmall Limited consists of a professional team with an average of over 10 year of expertise in the distribution of electronic components. Based in Hongkong, we have already established firm and mutual-benefit business relationships with customers from,Europe,America and south Asia,supplying obsolete and hard-to-find components to meet their specific needs.

With the principle of “Quality Parts,Customers Priority,Honest Operation,and Considerate Service”,our business mainly focus on the distribution of electronic components. Line cards we deal with include Microchip,ALPS,ROHM,Xilinx,Pulse,ON,Everlight and Freescale. Main products comprise IC,Modules,Potentiometer,IC Socket,Relay,Connector.Our parts cover such applications as commercial,industrial, and automotives areas.

We are looking forward to setting up business relationship with you and hope to provide you with the best service and solution. Let us make a better world for our industry!



Contact us

Tel: +86-755-8981 8866 Fax: +86-755-8427 6832

Email & Skype: info@chipsmall.com Web: www.chipsmall.com

Address: A1208, Overseas Decoration Building, #122 Zhenhua RD., Futian, Shenzhen, China



NUMBER 917511

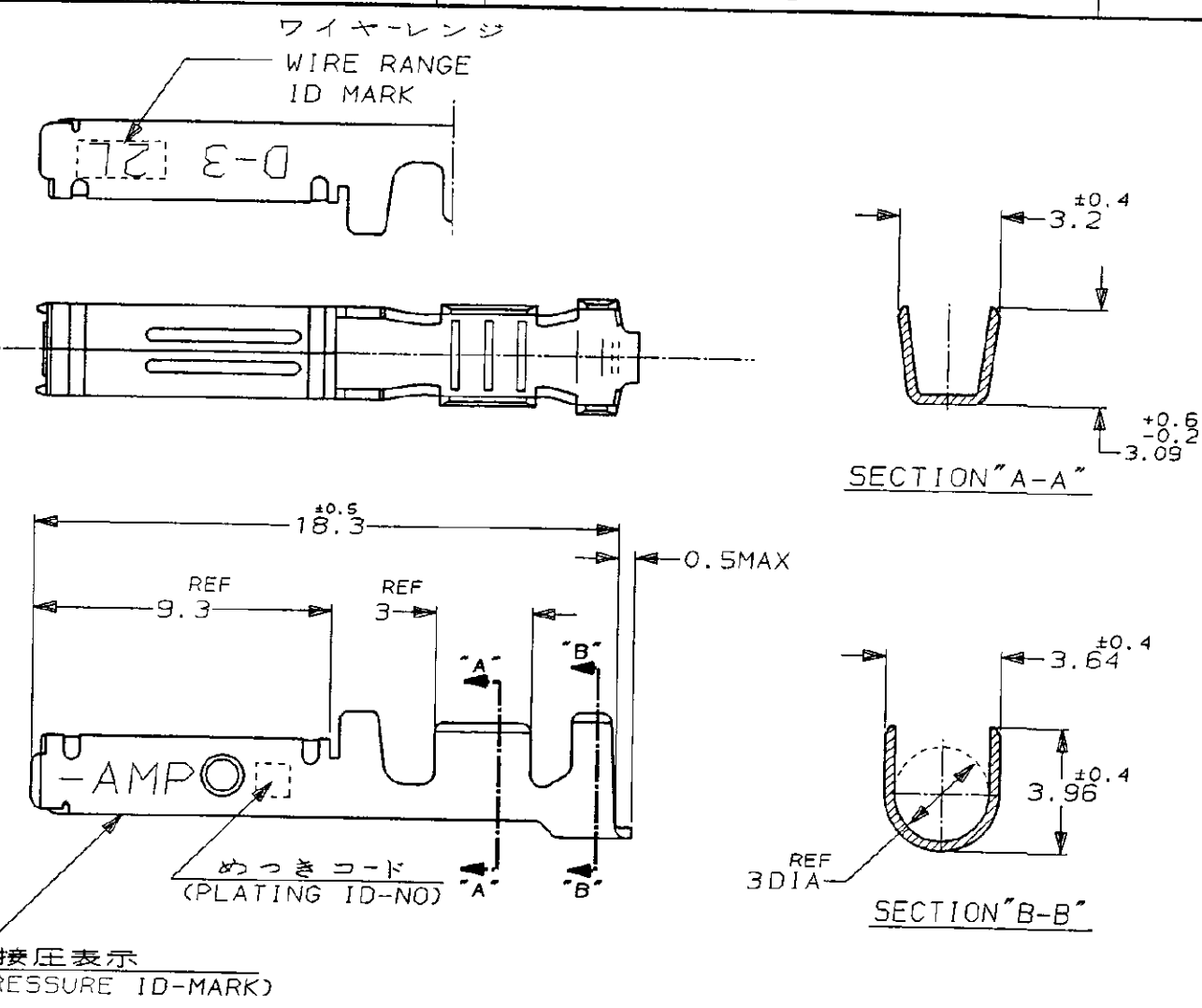
METRIC
3角法 (3rd ANGLE PROJECTION)

METRIC

U. 655-111>U. DMG>S. CB9-25173
単位, 寸法 DIMENSIONS IN MM. DO NOT SCALE PRINT

PRINT DIST

4 3 2 1



注記

- ⚠ 標準接圧型コンタクト：一般向け及び多極用
- ⚠ 高接圧型コンタクト：高電流用及び強振動用
- ⚠ 金めっきは接触部のみとする

NOTES

- ⚠ CONTACT TYPE, NORMAL PRESSURE TYPE (FOR GENERAL)
- ⚠ CONTACT TYPE, HIGH PRESSURE TYPE (FOR HIGH CURRENT OR ANTI-VIBRATION)
- ⚠ GOLD-PL. CONTACT AREA ONLY

⚠	H	5	光沢錫めっき (BRIGHT TIN-PL.)	1-	-5
		3	0.76μm最小金めっき (0.76μmMIN. Au-PL.)	1-	-3
⚠	/	2	0.38μm最小金めっき (0.38μmMIN. Au-PL.)	1-	-2
		3	0.76μm最小金めっき (0.76μmMIN. Au-PL.)		-3
		2	0.38μm最小金めっき (0.38μmMIN. Au-PL.)		-2
備考 (REMARK) 接圧タイプ (CONT. TYPE)		めっきコード (PL. ID NO)		仕上 (FINISH)	
				917511-2	
				△ 型番 (P/N)	

STE TE Connectivity

絶縁電線断面径 (WIRE RANGE) AWG 16-14	被覆外径 (INSULATION DIA.) 2.2-2.8 mmφ	名称 (NAME) (DYNAMIC SERIES REC. CONTACT) "2L" SIZE LOOSE PIECE ダイナミックシリーズリセプタクルコンタクト
材料 (MATERIAL) (COPPER ALLOY) 銅合金	仕上 (FINISH) (SEE TABLE) 表参照	一般公差 (GENERAL TOLERANCE) 10mm以下: ±0.2 10mm以上30mm以下: ±0.25 30mm以上100mm以下: ±0.3 A: ±3°
DR. 27/APR/95 K. IKEDA	DE. 27/APR/95 K. IKEDA	SIZE LOC 番号 (No.) B J 917511
LTR 変更 (REVISION RECORD)	DR. CHK. DATE	尺度 (SCALE) REV. SHEET 5-1 A1 1 OF 1

A1	REVISED PER ECO-11-005294	RK	HMR	07APR 11	DR. 27/APR/95 K. IKEDA	DE. 27/APR/95 K. IKEDA
LTR	変更 (REVISION RECORD)	DR	CHK	DATE	CHK. 28/APR/95 S. MANABE	APP. 28/APR/95 S. MANABE

(CUSTOMER DRAWING) 参 考 図 面