



Chipsmall Limited consists of a professional team with an average of over 10 year of expertise in the distribution of electronic components. Based in Hongkong, we have already established firm and mutual-benefit business relationships with customers from,Europe,America and south Asia,supplying obsolete and hard-to-find components to meet their specific needs.

With the principle of “Quality Parts,Customers Priority,Honest Operation,and Considerate Service”,our business mainly focus on the distribution of electronic components. Line cards we deal with include Microchip,ALPS,ROHM,Xilinx,Pulse,ON,Everlight and Freescale. Main products comprise IC,Modules,Potentiometer,IC Socket,Relay,Connector.Our parts cover such applications as commercial,industrial, and automotives areas.

We are looking forward to setting up business relationship with you and hope to provide you with the best service and solution. Let us make a better world for our industry!



Contact us

Tel: +86-755-8981 8866 Fax: +86-755-8427 6832

Email & Skype: info@chipsmall.com Web: www.chipsmall.com

Address: A1208, Overseas Decoration Building, #122 Zhenhua RD., Futian, Shenzhen, China

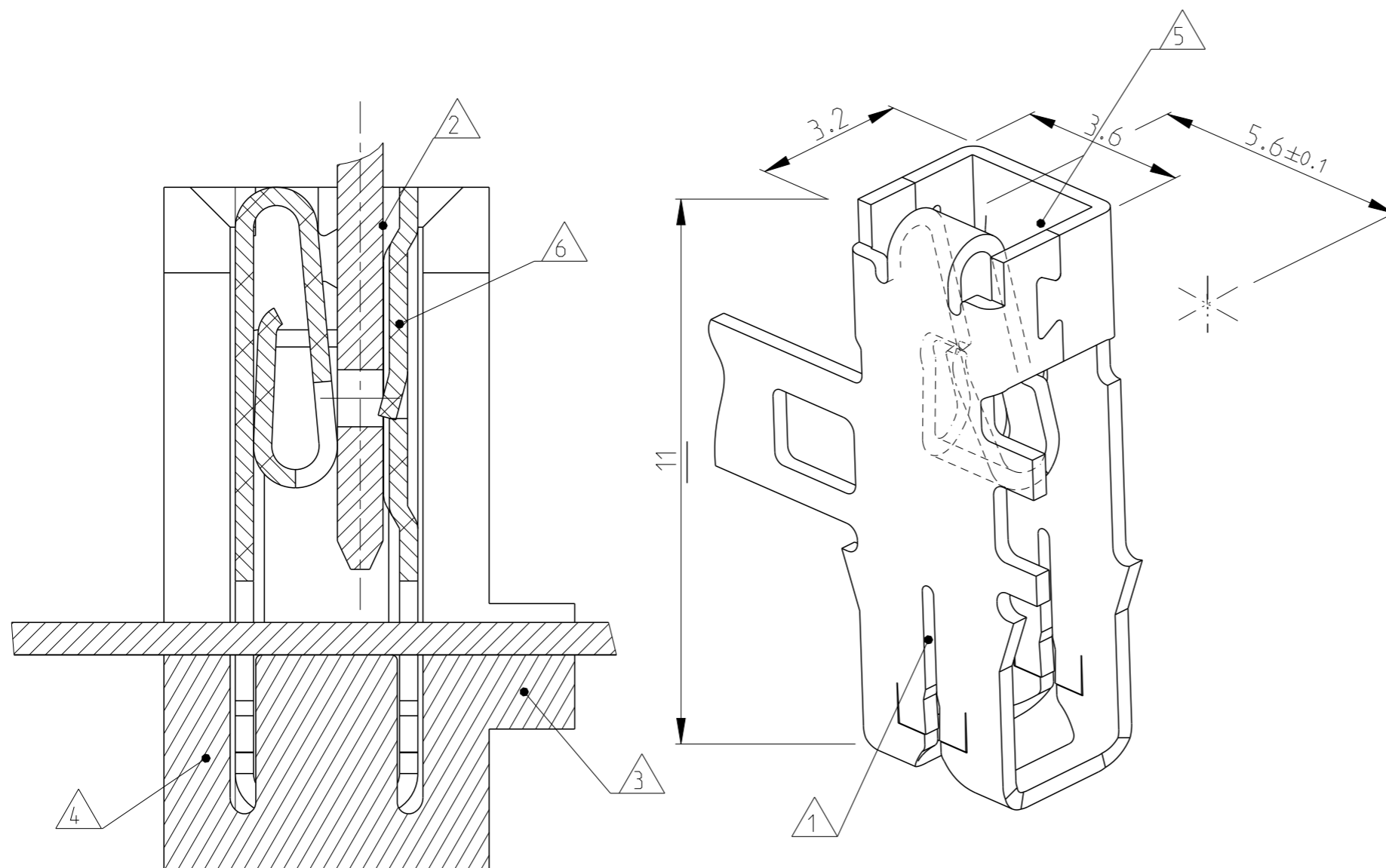


LOC
A1

DIST
-

REVISIONS

P	LTR	DESCRIPTION	DATE	DWN	APVD
	B4	PN 1-928854-2 OBSOLETE	07OCT14	PKS	RRP



- 1 Kontakt geeignet fuer:
Lackdraht, Einzeldraht Ø0.40-0.63mm
Lackdraht, zwei Draehte gleichen
Durchmessers (Ø 0.40-0.57mm)
Slot accepts:
SINGLE MAGNET WIRE Ø0.40-0.63mm
DOUBLE MAGNET WIRE SAME
DIAMETERS (Ø 0.40-0.57mm)
- 2 Flachstecker A2.8-0.5mm oder A2.8-0.8mm
nach DIN 46244
FLAT PIN A2.8-0.5mm OR A2.8-0.8mm
ACCORDING TO DIN 46244
- 3 Bereich wird beim Kontaktieren abgetrennt
AREA WILL BE CUTTED OF BY TERMINATION
- 4 Kontakt Kammer nach Spez. 411-18514
CAVITY ACCORDING DWG Spec. 411-18514
- 5 Kennziffer fuer Lackdrahtbereich (10)
IDENTIFICATION NO. (10)
- 6 Unter Vorstrich-Zahl 1-...
auch "ohne" Rastnase lieferbar
UNDER PRAEFIX NO: 1-
ALSO "WITHOUT LOCKING NOSE AVAILABEL
- 7 OBSOLETE PARTS: OBSOLETE CIS SRREAMLINING PER
D.RENAUD/D.SINISI

OBSOLETE	REV.	PCS	DESCRIPTION	MATERIAL	SURFACE COLOR
1-928854-2 6	B	-	MAG-MATE Kontakt "without"	CuNiSi	POSTTINNED
1-928854-1 6	B	-	MAG-MATE Kontakt "without"	CuNiSi	PRETINNED
928854-2	B	-	MAG-MATE Kontakt "with"	CuNiSi	POSTTINNED
928854-1 7	B	-	MAG-MATE Kontakt "with"	CuNiSi	PRETINNED

THIS DRAWING IS A CONTROLLED DOCUMENT.

DIMENSIONS: mm	TOLERANCES UNLESS OTHERWISE SPECIFIED: ±0.2mm
	0 PLC ± 1 PLC ± 2 PLC ± 3 PLC ± 4 PLC ± ANGLES ±1° FINISH
MATERIAL SEE TABLE	SEE TABLE

DWN S.Goerke 16-03-1989
CHK H.PLÖBER 16-03-1989
APVD -
PRODUCT SPEC -
APPLICATION SPEC -
WEIGHT -

STE TE Connectivity

NAME
MAG-MATE TERMINAL
WITH TAB-RECEPT. 2.8-0.5/0.8

SIZE A3	CAGE CODE 00779	DRAWING NO C=928854	RESTRICTED TO -
------------	--------------------	------------------------	--------------------

Customer Drawing SCALE 10:1 SHEET 1 OF 1 REV B4