



Chipsmall Limited consists of a professional team with an average of over 10 year of expertise in the distribution of electronic components. Based in Hongkong, we have already established firm and mutual-benefit business relationships with customers from,Europe,America and south Asia,supplying obsolete and hard-to-find components to meet their specific needs.

With the principle of "Quality Parts,Customers Priority,Honest Operation,and Considerate Service",our business mainly focus on the distribution of electronic components. Line cards we deal with include Microchip,ALPS,ROHM,Xilinx,Pulse,ON,Everlight and Freescale. Main products comprise IC,Modules,Potentiometer,IC Socket,Relay,Connector.Our parts cover such applications as commercial,industrial, and automotives areas.

We are looking forward to setting up business relationship with you and hope to provide you with the best service and solution. Let us make a better world for our industry!



Contact us

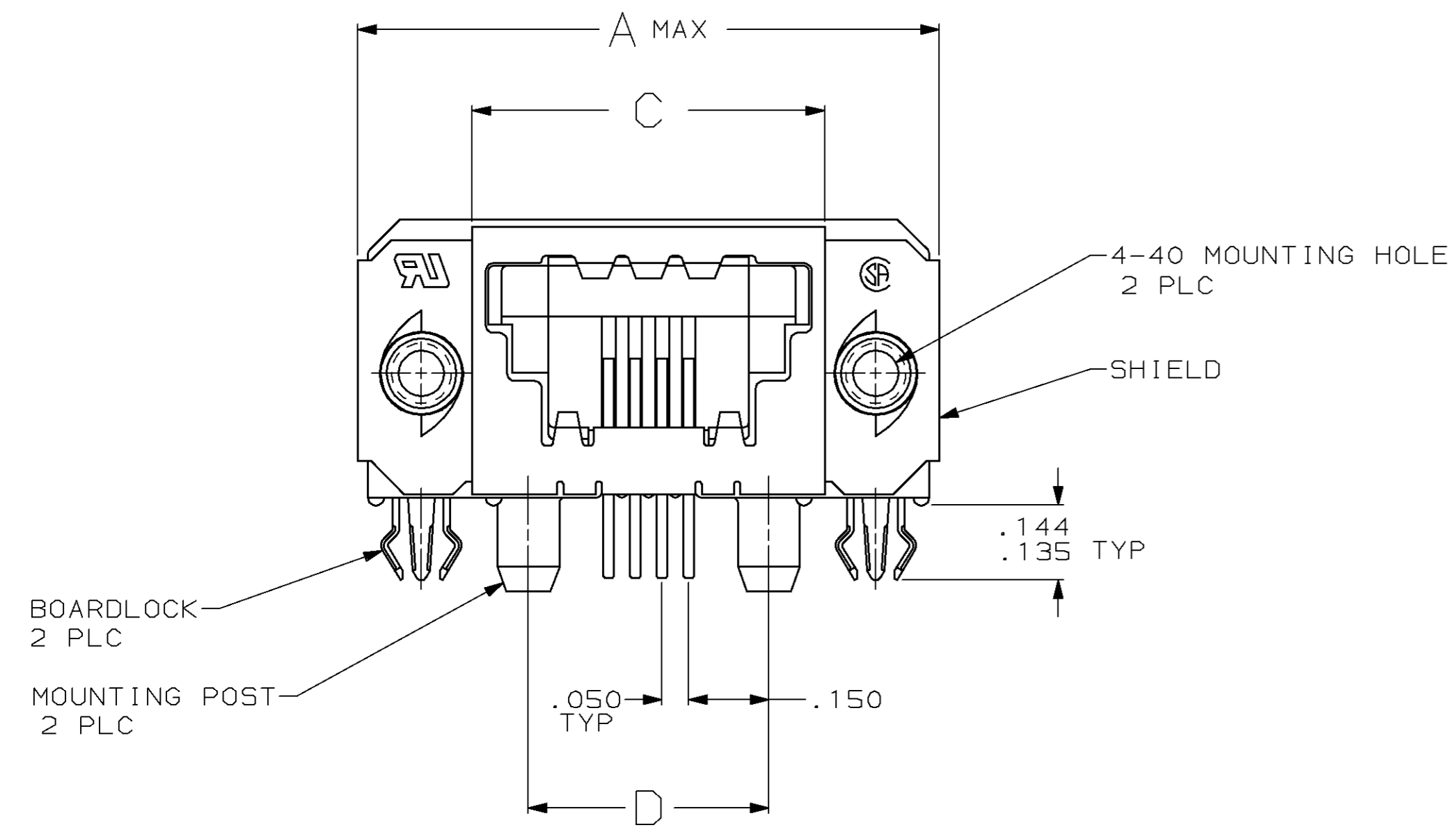
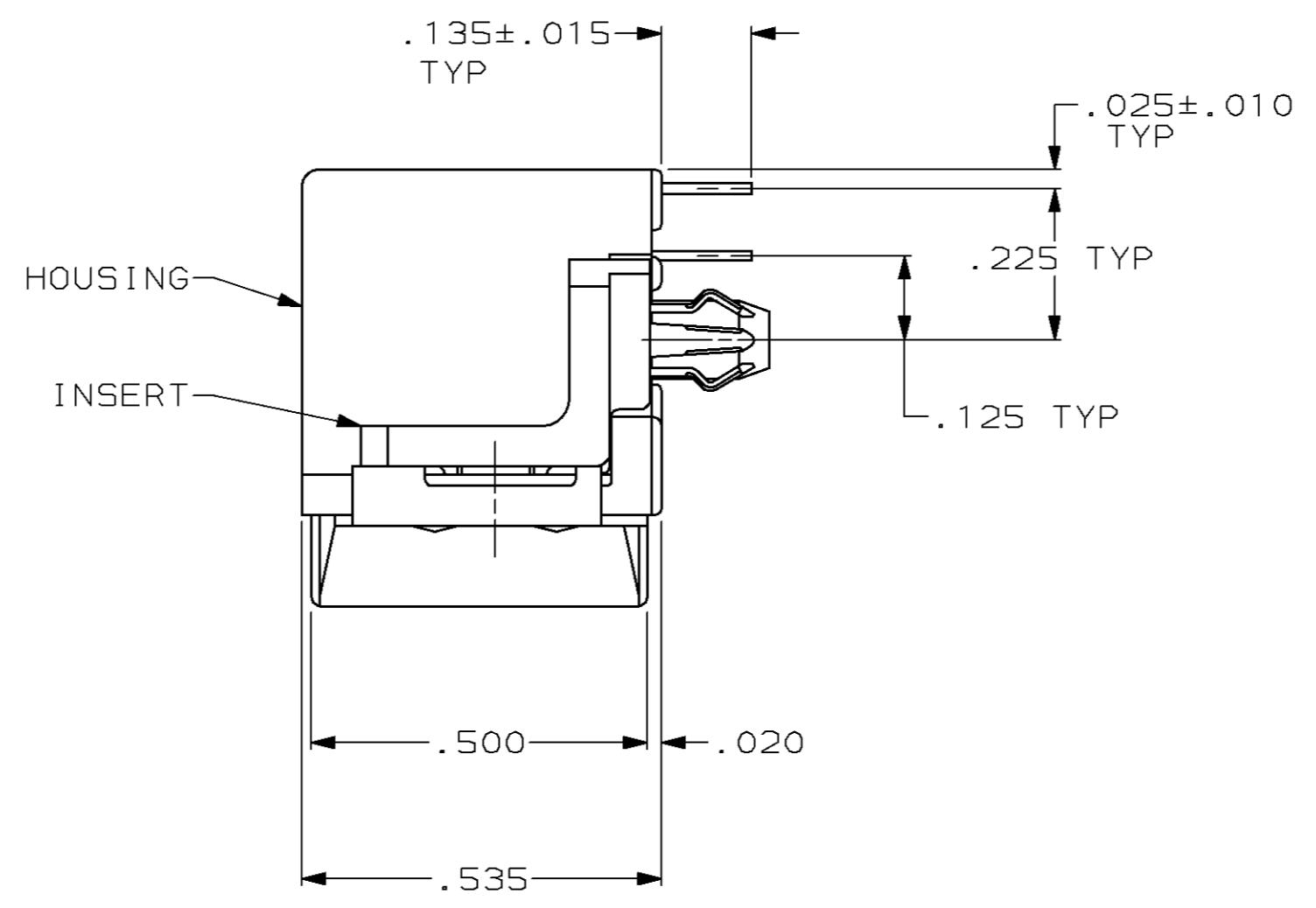
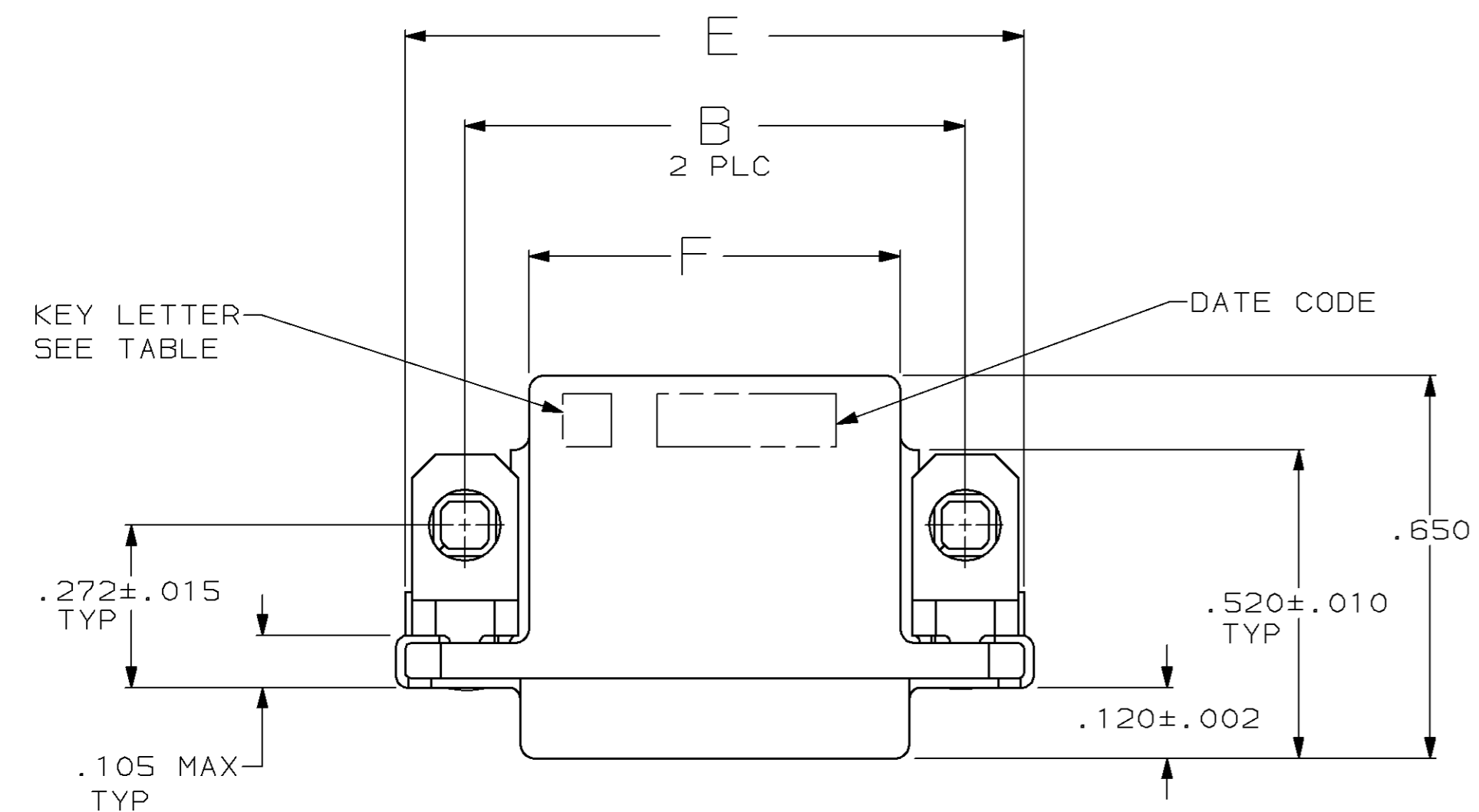
Tel: +86-755-8981 8866 Fax: +86-755-8427 6832

Email & Skype: info@chipsmall.com Web: www.chipsmall.com

Address: A1208, Overseas Decoration Building, #122 Zhenhua RD., Futian, Shenzhen, China



LOC	DIST	P	F	ZONE	LTR	REVISIONS			
						DESCRIPTION	DATE	APPD	
	BD	50				O	RELEASED WAS 88-1002-7,8,9&10,NPR2292	1-27-89	JP
						A	REVISED ECN BD3272	9-18-89	JP
						B	REVISED ECN BD3371	12-7-89	JP
						C	OBS 2-2,2-3,2-6,3-1,3-3,3-6, 4-3,4-6,6-1 PER ECN BD6168	06/01/92	JP
						D	OBS -42,-53,-56 PER EC 0020-1512-93	03/24/94	SM
						E	OBS 1--1 PER EC 0020-1575-93	04/27/94	SM
						F	REACTIVATED 1--1 & 3--1 EC 0020-388-94	05/10/94	SM
						G	REACTIVATED 5--3 PER ECN 0020-553-94	07/06/94	SFM
						H	REV PER EC 0020-1350-94	01/09/95	SM
						J	REV PER EC 0020-271-95	04/17/95	RB
						K	OBS -22,-26,-61 PER EC 0020-475-95	24 OCT 95	RB
						L	OBSOLETE -32 AND -52 PER EC 0410-186-96	26 JAN 98	JDS
						M	REACTIVATED 5--6 PER EC 0410-13-98	10 FEB 98	JS



- 1 POLYESTER, FLAME RETARDANT, UL 94V-0 RATED, GLASS FILLED, BLACK.
- 2 SHIELD: BRASS; INSERT: ZINC ALLOY; BOARDLOCKS; COPPER ALLOY.
- 3 PHOSPHOR BRONZE PER QQ-B-750.
- 4 .000030 MIN BRIGHT TIN-LEAD OVER .000050 MIN NICKEL.
- 5 .000150 MIN BRIGHT TIN-LEAD ON SOLDER END, .000050 MIN GOLD ON MATING END FOR A LENGTH OF .100 MIN ON MATING SURFACE, ALL OVER .000050 MIN NICKEL ON ENTIRE CONTACT.
- 6 GOLD PLATING PER MIL-G-45204, NICKEL PLATING PER QQ-N-290, TIN PLATING PER MIL-T-10727.
- 7 .000150 MIN NICKEL OVER .000100 MIN COPPER.
- 8 .000200 MIN TIN-LEAD OVER .000050 MIN NICKEL.

OBSOLETE	.630	1.050	.450	.660	.850	1.100	4	F	6-943036-1	
	1.230	1.650	1.050	1.260	1.450	1.700	16	E	5-943036-6	
	.830	1.250	.650	.860	1.050	1.300	8	E	5-943036-3	
OBSOLETE	.730	1.150	.550	.760	.950	1.200	6	E	5-943036-2	
	.630	1.050	.450	.660	.850	1.100	4	E	5-943036-1	
OBSOLETE	1.230	1.650	1.050	1.260	1.450	1.700	16	D	4-943036-6	
OBSOLETE	.830	1.250	.650	.860	1.050	1.300	8	D	4-943036-3	
OBSOLETE	.730	1.150	.550	.760	.950	1.200	6	D	4-943036-2	
	.630	1.050	.450	.660	.850	1.100	4	D	4-943036-1	
OBSOLETE	1.230	1.650	1.050	1.260	1.450	1.700	16	C	3-943036-6	
OBSOLETE	.830	1.250	.650	.860	1.050	1.300	8	C	3-943036-3	
OBSOLETE	.730	1.150	.550	.760	.950	1.200	6	C	3-943036-2	
	.630	1.050	.450	.660	.850	1.100	4	C	3-943036-1	
OBSOLETE	1.230	1.650	1.050	1.260	1.450	1.700	16	B	2-943036-6	
OBSOLETE	.830	1.250	.650	.860	1.050	1.300	8	B	2-943036-3	
OBSOLETE	.730	1.150	.550	.760	.950	1.200	6	B	2-943036-2	
	.630	1.050	.450	.660	.850	1.100	4	B	2-943036-1	
	1.230	1.650	1.050	1.260	1.450	1.700	16	A	1-943036-6	
	.830	1.250	.650	.860	1.050	1.300	8	A	1-943036-3	
	.730	1.150	.550	.760	.950	1.200	6	A	1-943036-2	
	.630	1.050	.450	.660	.850	1.100	4	A	1-943036-1	
	F	E	D	C	B	A		NO OF POSN	KEY LETTER	PART NO

DO NOT SCALE PRINT. UNLESS SPECIFIED DIMENSIONS IN INCHES TOLERANCES ON:

DR 1-27-89 J McCLINTON	AMP INCORPORATED Harrisburg, Pa. 17105
CHK 2-8-89 R STONE	
APPD 2-9-89 J PRITULSKY	NAME
APPD 2-9-89 D SUMMERS	RECEPTACLE ASSEMBLY, SIDE ENTRY, SDL
MATERIAL HOUSING: Δ INSERT: Δ SHIELD & BOARDLOCK: Δ PRODUCT SPEC CONTACT: Δ 118-2047	SIZE D FSCM NO 00779 DRAWING NO 943036
FINISH Δ BOARDLOCK: Δ APPLICATION SPEC 114-2081	SCALE 4:1 SHEET 1 OF 1
SHIELD: Δ INSERT: Δ	
CONTACT: Δ	