



Chipsmall Limited consists of a professional team with an average of over 10 year of expertise in the distribution of electronic components. Based in Hongkong, we have already established firm and mutual-benefit business relationships with customers from,Europe,America and south Asia,supplying obsolete and hard-to-find components to meet their specific needs.

With the principle of “Quality Parts,Customers Priority,Honest Operation,and Considerate Service”,our business mainly focus on the distribution of electronic components. Line cards we deal with include Microchip,ALPS,ROHM,Xilinx,Pulse,ON,Everlight and Freescale. Main products comprise IC,Modules,Potentiometer,IC Socket,Relay,Connector.Our parts cover such applications as commercial,industrial, and automotives areas.

We are looking forward to setting up business relationship with you and hope to provide you with the best service and solution. Let us make a better world for our industry!



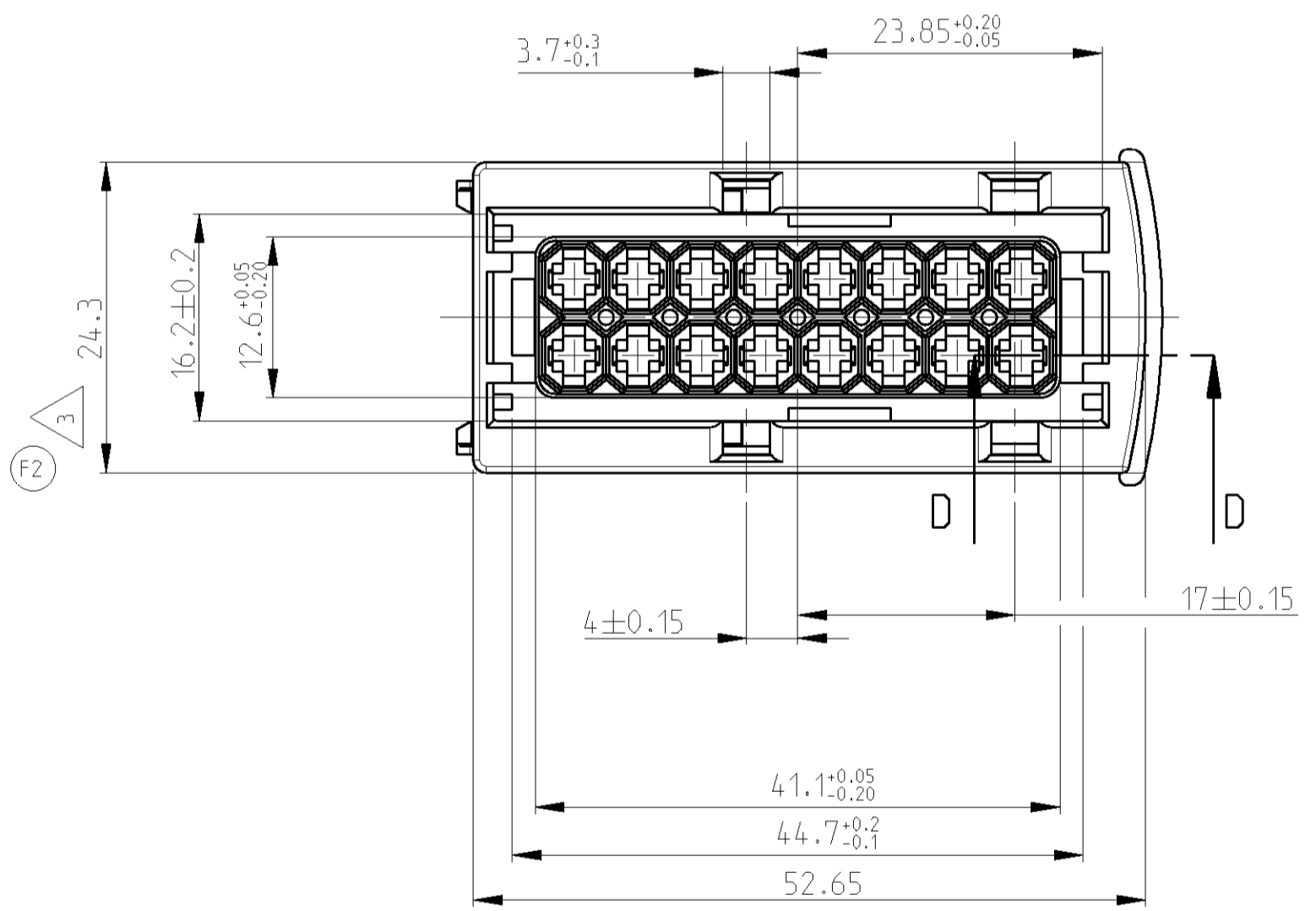
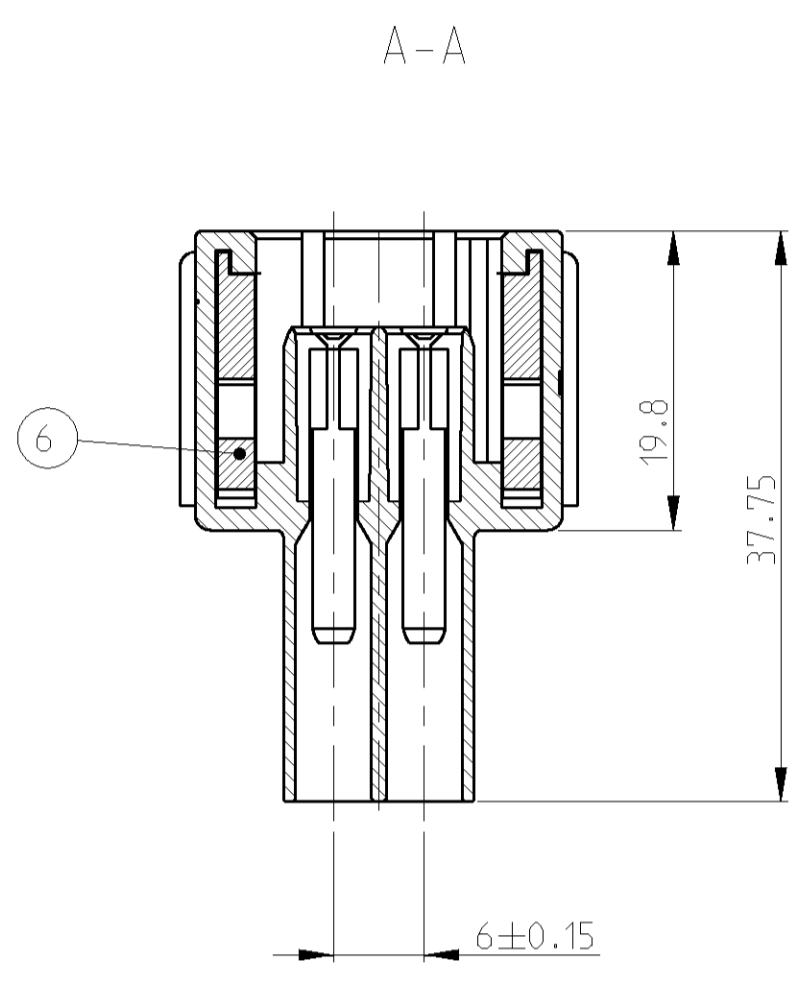
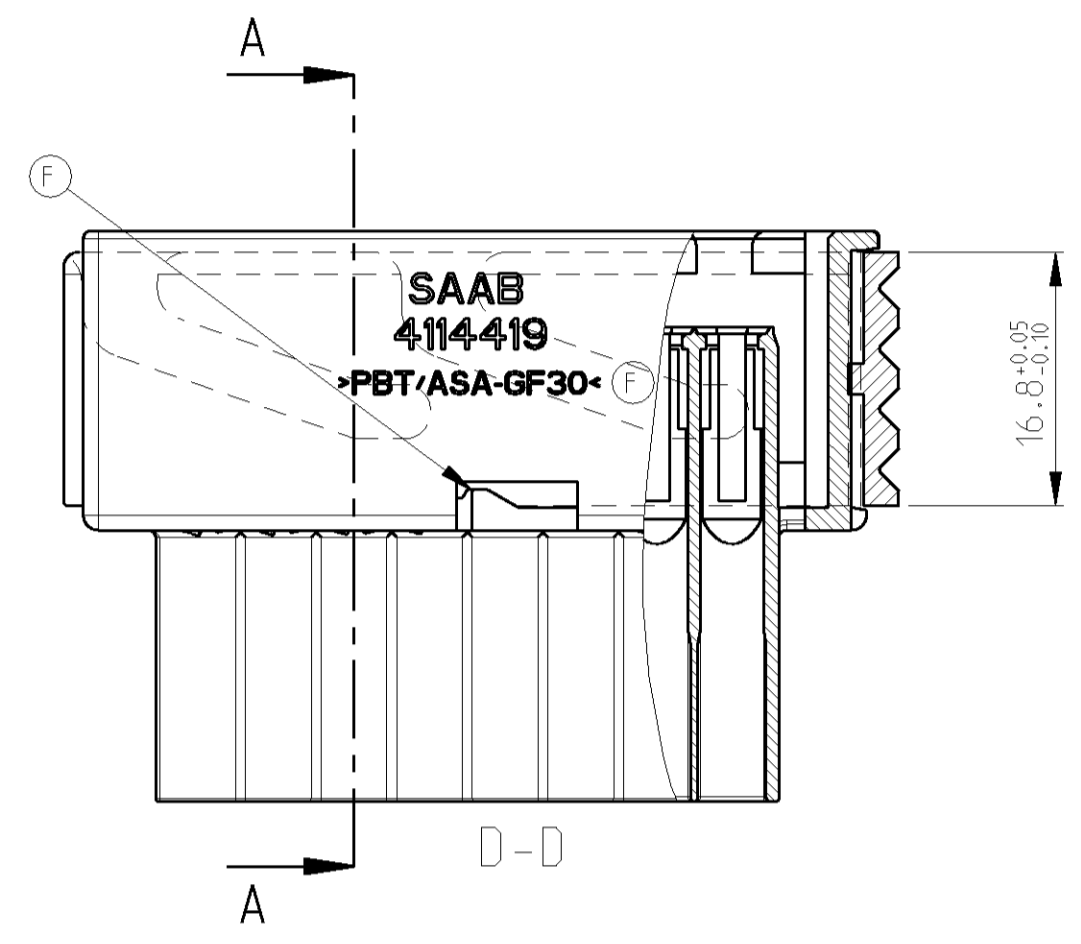
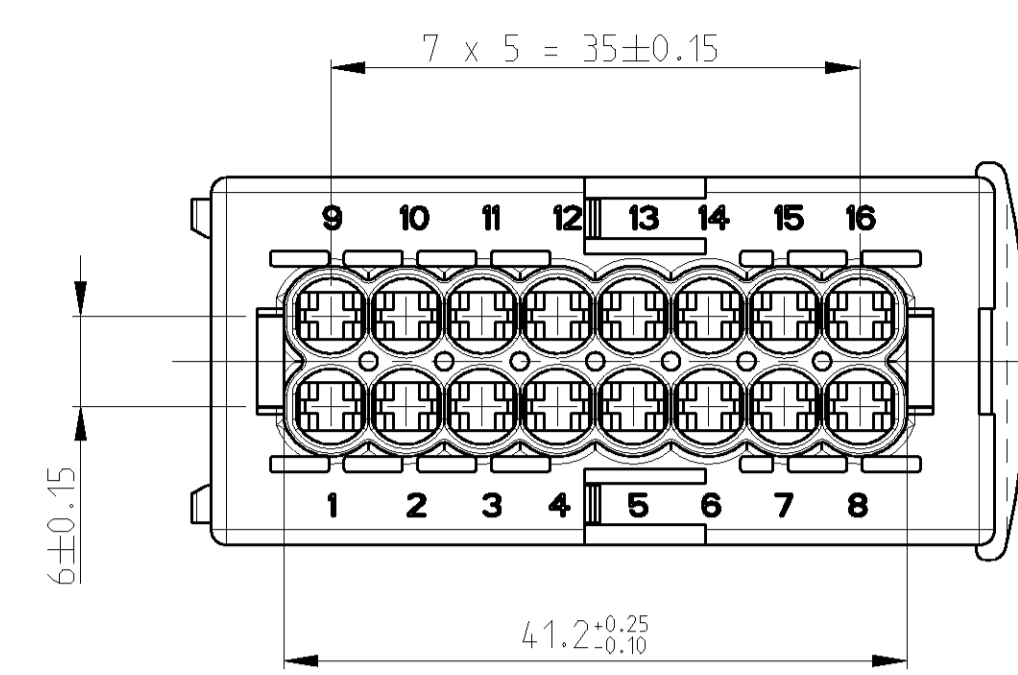
Contact us

Tel: +86-755-8981 8866 Fax: +86-755-8427 6832

Email & Skype: info@chipsmall.com Web: www.chipsmall.com

Address: A1208, Overseas Decoration Building, #122 Zhenhua RD., Futian, Shenzhen, China

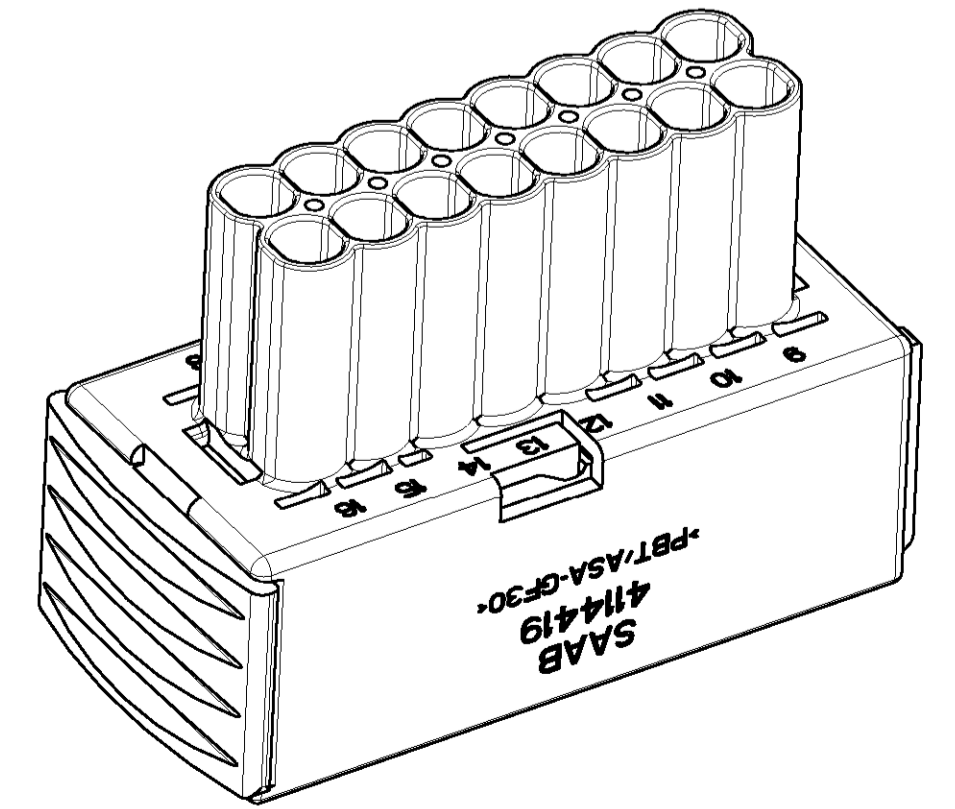




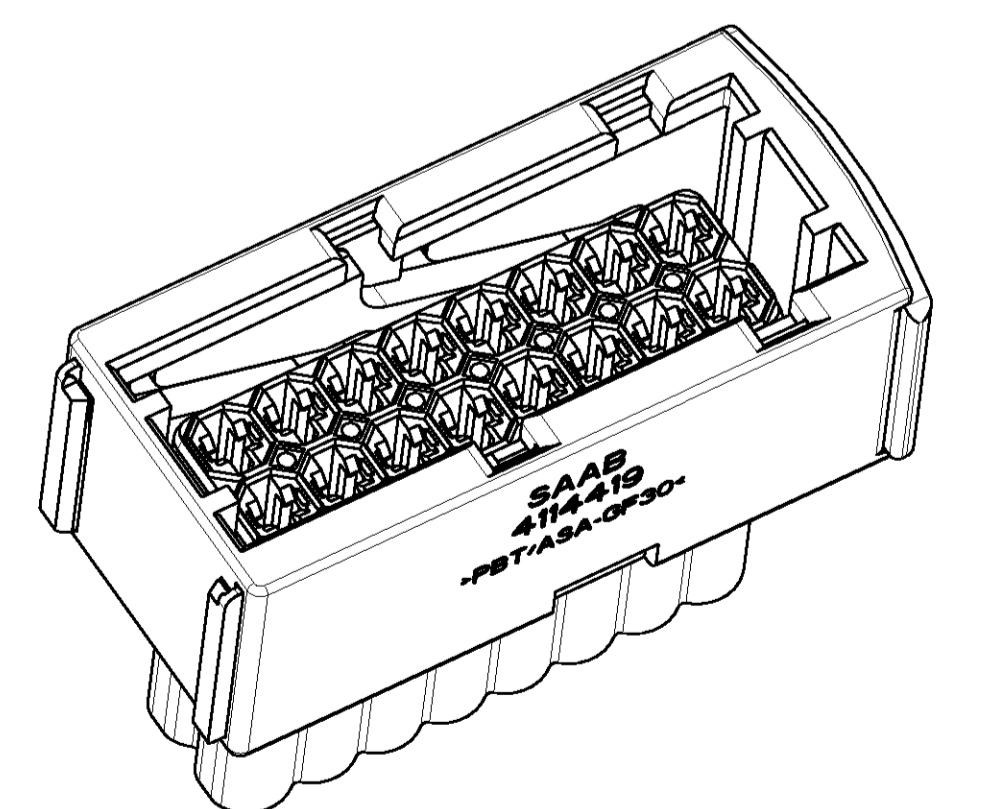
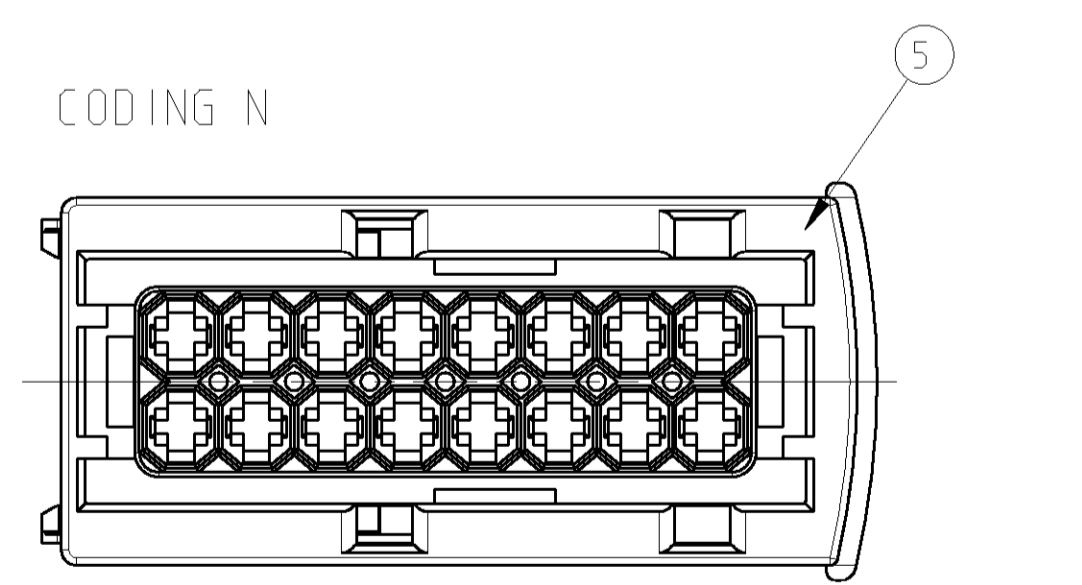
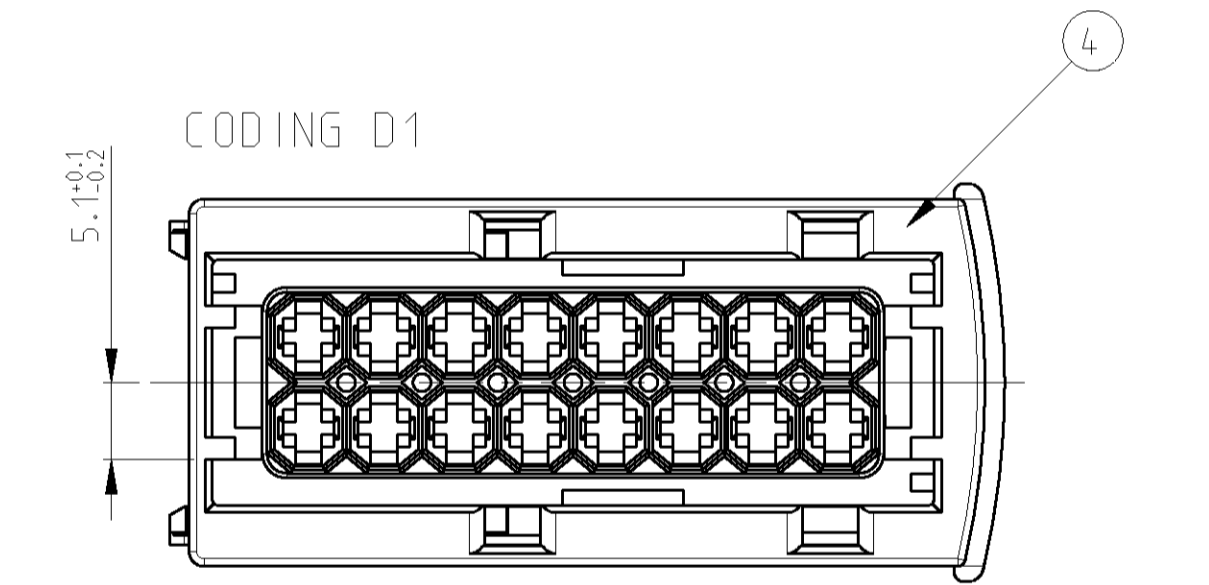
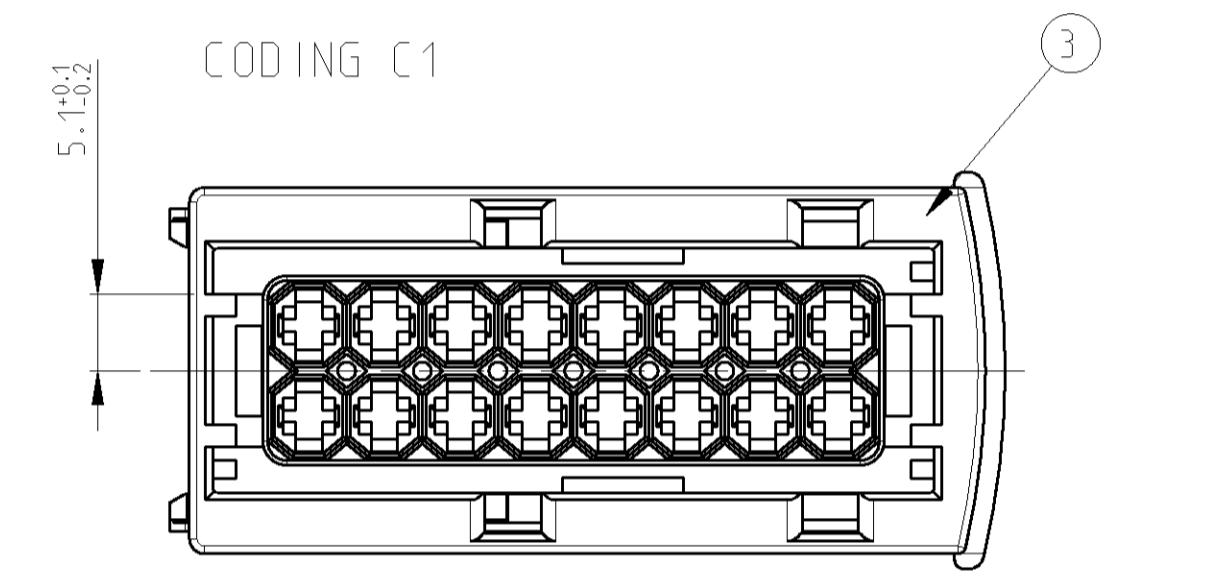
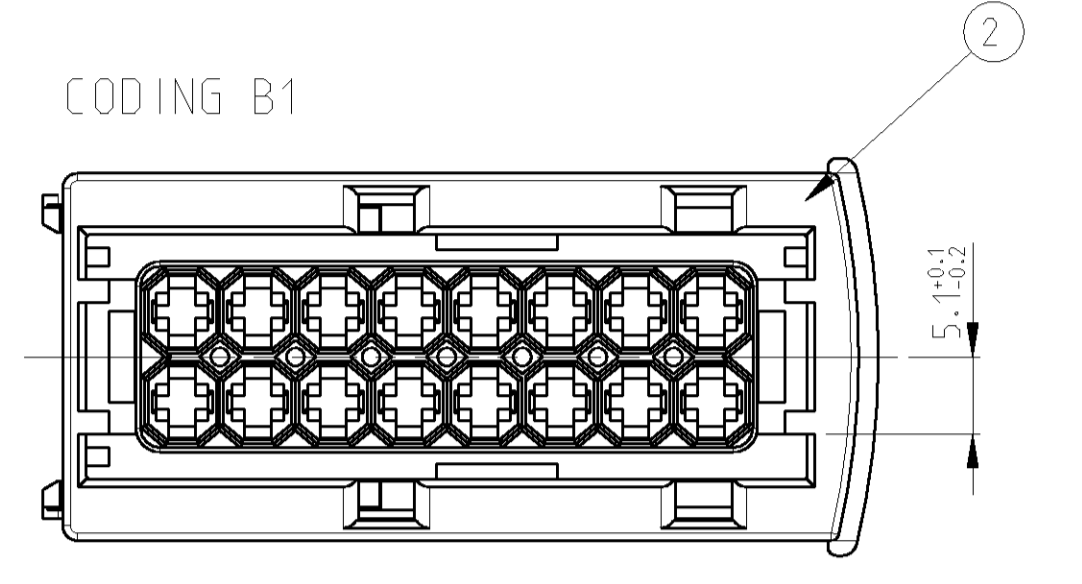
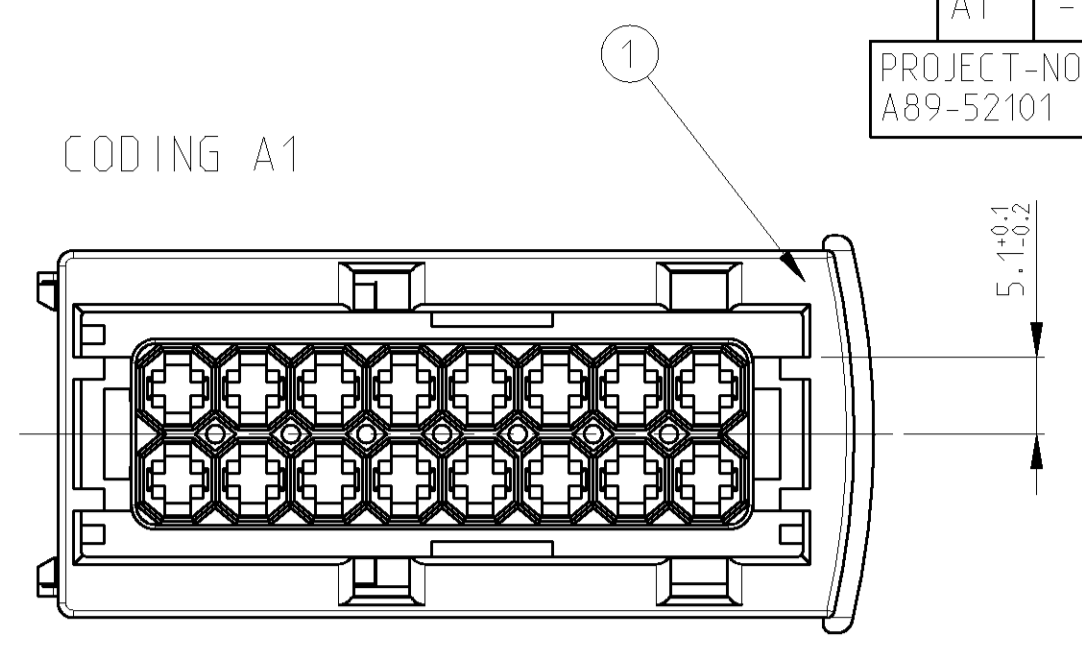
NOTES :

- 1 Au-VERSION OF CONTACT IS 1-xxxxxx-1
Au-Version des Kontaktes ist 1-xxxxxx-1
- 2 WATER TIGHTNESS ACC. GMI 12590; 5.10.3
FURTHER INFORMATIONS SEE PRODUCT SPECIFICATION 108-18102-1/...-9
Wasserdichtheit nach GMI 12590; 5.10.3
Weitere Informationen siehe Produktspezifikation 108-18102-1/...-9
- 3 Einfall bis auf 23.5mm zulässig
SHRINKAGE UP TO 23.5MM ALLOWED

| JPT | ORDER-NO. STRIP | WIRE SIZE (mm ²) | MATERIAL | FINISH | SINGLE WIRE SEAL | COLOR | WATER-TIGHTNESS |
|-----|-----------------|------------------------------|----------|--------|------------------|------------|-----------------|
| JPT | 0-0929937-1 | 1.5 - 2.5 | CuFe 2 | TINNED | 0-0828905-1 | WHITE | IPX 9K |
| JPT | 0-0929939-1 | 0.75 - 1.0 | CuFe 2 | TINNED | 0-0828904-1 | LIGHT BLUE | IPX 9K |
| JPT | 0-0929939-1 | 0.5 | CuFe 2 | TINNED | 0-0963294-1 | BLUE | IPX 9K |
| JPT | 0-0929941-1 | 0.35 | CuFe 2 | TINNED | 0-0963294-1 | BLUE | IPX 9K |



2:1



2:1

| CUSTOMER PART NO. | GM SIGN | PART NO. | REV. | PCS | MATERIAL | COLOR | DESCRIPTION | ITEM NO. |
|-------------------|----------|------------|------|-----|--------------|-------|------------------|----------|
| 4114401 | | 5-963217-1 | | 1 | PBT/ASA-GF30 | RED | SLIDE | 6 |
| 4114443 | | 4-963217-1 | | 1 | PBT/ASA-GF30 | WHITE | JPT HSG., 16POS. | 5 |
| 4114435 | | 3-963217-1 | | 1 | PBT/ASA-GF30 | RED | SLIDE | 6 |
| 4114427 | | 2-963217-1 | | 1 | PBT/ASA-GF30 | BROWN | JPT HSG., 16POS. | 4 |
| 4114419 | ZFW 16-2 | 1-963217-1 | | 1 | PBT/ASA-GF30 | RED | SLIDE | 6 |
| | | | | 1 | PBT/ASA-GF30 | BLACK | JPT HSG., 16POS. | 1 |

| | |
|-------------|--|
| DIMENSIONS: | TOLERANCES UNLESS OTHERWISE SPECIFIED: |
| mm | 0 PLC # |
| | 1 PLC #0.3 |
| | 2 PLC #0.3 |
| | 3 PLC #0.3 |
| | 4 PLC #0.3 |
| | ANGLES |
| MATERIAL | FINISH |
| - | - |

| | | |
|------------------|-------------|----------------------------------|
| DRW | 29-MAR-1999 | TE Connectivity |
| ENR | 29-MAR-1999 | |
| APVD | | NAME |
| PRODUCT SPEC | | JPT REC-HOUSING , 16POS., ASSY |
| APPLICATION SPEC | | JPT Buchsengehäuse, 16pol., Assy |
| WEIGHT | 114-18175 | SIZE |
| CUSTOMER DRAWING | 00779 | CAGE CODE |
| | 00779 | DRAWING NO |
| | 00779 | RESTRICTED TO |
| SCALE | 2:1 | SHEET |
| | 1 | OF |
| | 1 | REV |
| | F3 | |