



Chipsmall Limited consists of a professional team with an average of over 10 year of expertise in the distribution of electronic components. Based in Hongkong, we have already established firm and mutual-benefit business relationships with customers from,Europe,America and south Asia,supplying obsolete and hard-to-find components to meet their specific needs.

With the principle of “Quality Parts,Customers Priority,Honest Operation,and Considerate Service”,our business mainly focus on the distribution of electronic components. Line cards we deal with include Microchip,ALPS,ROHM,Xilinx,Pulse,ON,Everlight and Freescale. Main products comprise IC,Modules,Potentiometer,IC Socket,Relay,Connector.Our parts cover such applications as commercial,industrial, and automotives areas.

We are looking forward to setting up business relationship with you and hope to provide you with the best service and solution. Let us make a better world for our industry!



Contact us

Tel: +86-755-8981 8866 Fax: +86-755-8427 6832

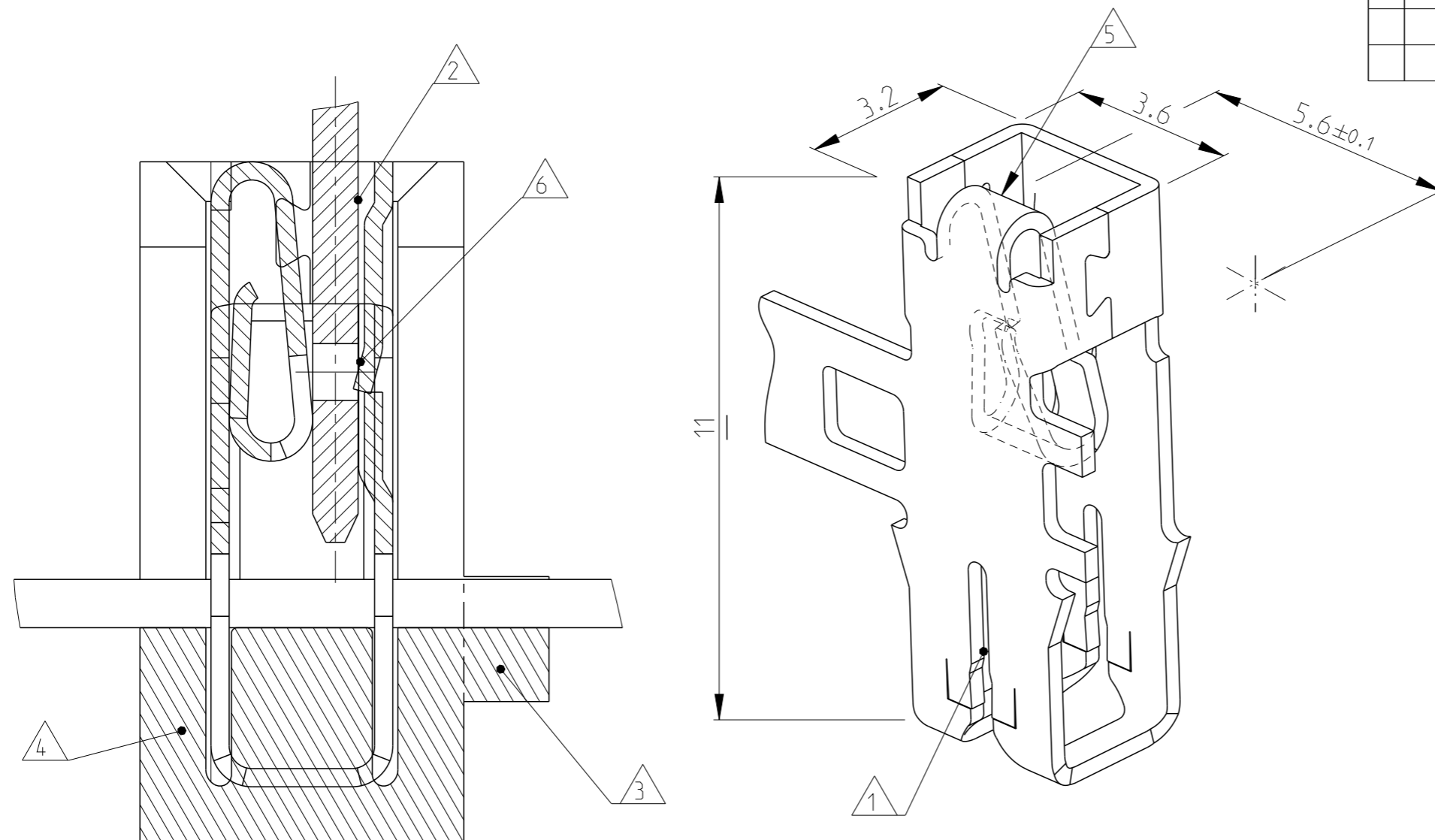
Email & Skype: info@chipsmall.com Web: www.chipsmall.com

Address: A1208, Overseas Decoration Building, #122 Zhenhua RD., Futian, Shenzhen, China



REVISIONS

P	LTR	DESCRIPTION	DATE	DWN	APVD
	A3	PN 1-964106-1 OBSOLETE	07OCT14	PKS	RRP



- 1 Kontakt geeignet fuer:
Lackdraht $\varnothing 0.6-0.80\text{mm}$
(Einzeldraht oder zwei Draehte gleichen Durchmessers)
Slot accepts:
SINGLE MAGNET WIRE $\varnothing 0.6-0.80\text{mm}$
DOUBLE MAGNET WIRE SAME DIAMETERS
- 2 Flachstecker A2.8-0.5mm oder A2.8-0.8mm nach DIN 46244
FLAT PIN A2.8-0.5mm OR A2.8-0.8mm ACCORDING TO DIN 46244
- 3 Bereich wird beim Kontaktieren abgetrennt
AREA WILL BE CUTTED OF BY TERMINATION
- 4 Kontakt Kammer nach Zeichnung 411-18514
CAVITY ACCORDING DWG 411-18514
- 5 Kennziffer fuer Lackdrahtbereich (12)
IDENTIFICATION NO. (12)
- 6 Unter Vorstrich-Zahl 1-... auch "ohne" Rastnase lieferbar
UNDER PRAEFIX NO: 1- ALSO "WITHOUT LOCKING NOSE AVAILABEL

1-964106-2	6	A	-	MAG-MATE Kontakt "without"	CuNiSi	POSTTINNED
1-964106-1	6	A	-	MAG-MATE Kontakt "without"	CuNiSi	PRETINNED
964106-2		A	-	MAG-MATE Kontakt "with"	CuNiSi	POSTTINNED
964106-1		A	-	MAG-MATE Kontakt "with"	CuNiSi	PRETINNED
COSTUMER PART NO	REV	PCS		DESCRIPTION	MATERIAL	SURFACE COLOR

THIS DRAWING IS A CONTROLLED DOCUMENT.

DIMENSIONS:	TOLERANCES UNLESS OTHERWISE SPECIFIED:
mm	$\pm 0.2\text{mm}$
0 PLC	\pm
1 PLC	\pm
2 PLC	\pm
3 PLC	\pm
4 PLC	\pm
ANGLES	$\pm 1^\circ$
MATERIAL	FINISH
SEE TABLE	SEE TABLE

DWN	A.Holch	10-02-92
CHK	H.PL	10-02-92
APVD	-	-
PRODUCT SPEC	-	-
APPLICATION SPEC	-	-
WEIGHT	-	-
Customer Drawing		



NAME			
MAG-MATE TERMINAL WITH TAB-RECEPT. 2.8-0.5/0.8			
SIZE	CAGE CODE	DRAWING NO	RESTRICTED TO
A3	00779	964106	-
SCALE		SHEET	REV
10:1		1 OF 1	A3