



Chipsmall Limited consists of a professional team with an average of over 10 year of expertise in the distribution of electronic components. Based in Hongkong, we have already established firm and mutual-benefit business relationships with customers from,Europe,America and south Asia,supplying obsolete and hard-to-find components to meet their specific needs.

With the principle of "Quality Parts,Customers Priority,Honest Operation,and Considerate Service",our business mainly focus on the distribution of electronic components. Line cards we deal with include Microchip,ALPS,ROHM,Xilinx,Pulse,ON,Everlight and Freescale. Main products comprise IC,Modules,Potentiometer,IC Socket,Relay,Connector.Our parts cover such applications as commercial,industrial, and automotives areas.

We are looking forward to setting up business relationship with you and hope to provide you with the best service and solution. Let us make a better world for our industry!



## Contact us

Tel: +86-755-8981 8866 Fax: +86-755-8427 6832

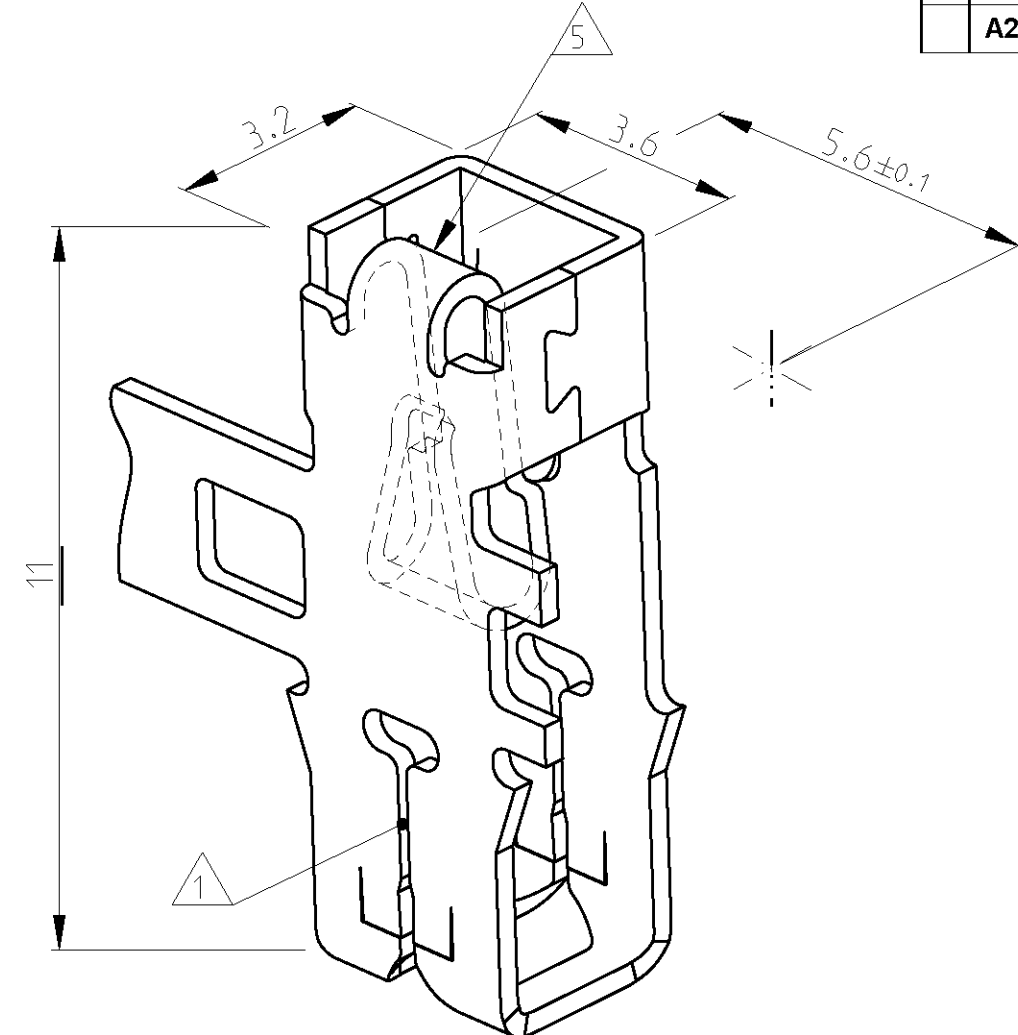
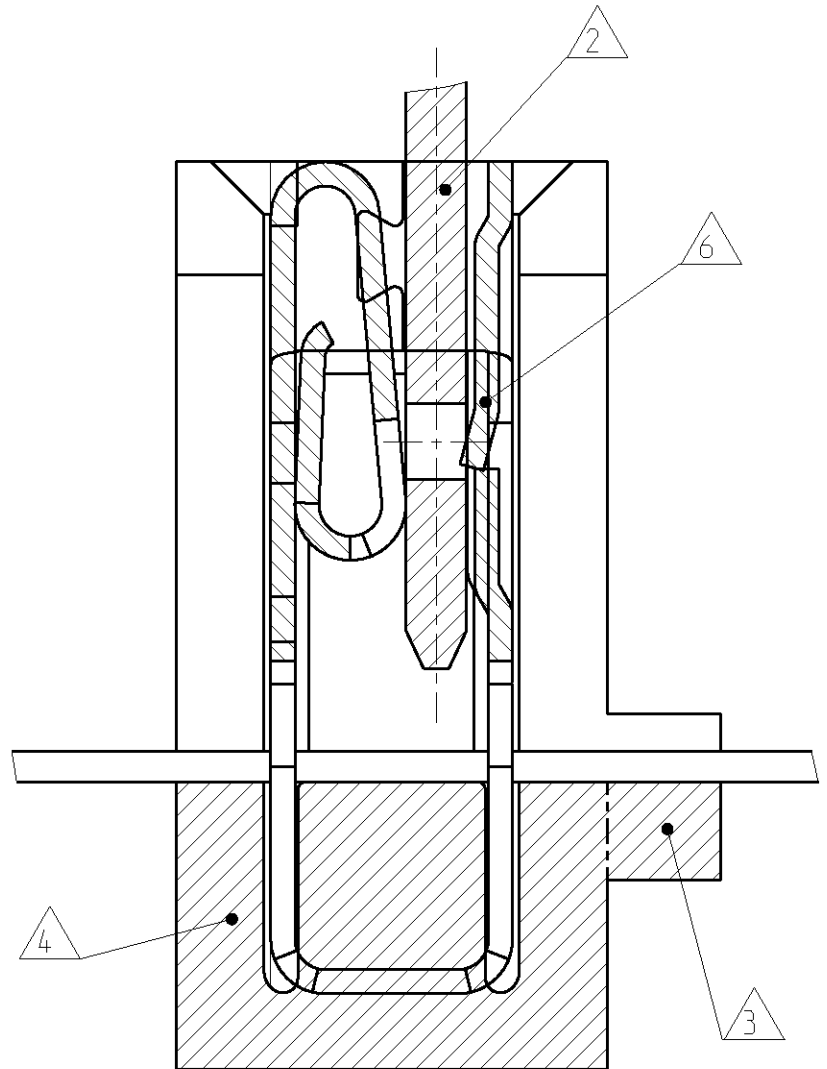
Email & Skype: info@chipsmall.com Web: www.chipsmall.com

Address: A1208, Overseas Decoration Building, #122 Zhenhua RD., Futian, Shenzhen, China



THIS DRAWING IS UNPUBLISHED. RELEASED FOR PUBLICATION 2008  
 © COPYRIGHT 2008 BY TYCO ELECTRONICS CORPORATION. ALL RIGHTS RESERVED.

LOC	DIST	REVISIONS			
P	LTR	DESCRIPTION	DATE	DWN	APVD
A1	-	2	VARIANTE 1-964108-1/-2 HINZU	22-04-92	Kürschner
		A1	REDRAWN TO PRO/E	26.01.09	DZ TK
		<b>A2</b>	<b>REVISED PER ECO-09-026444</b>	<b>27NOV09</b>	<b>KK AEG</b>



- △1 Kontakt geeignet fuer:  
Lackdraht  $\varnothing 0.265-0.40\text{mm}$   
(Einzeldraht oder zwei Draehte gleichen Durchmessers)  
Slot accepts:  
SINGLE MAGNET WIRE  $\varnothing 0.265-0.40\text{mm}$   
DOUBLE MAGNET WIRE SAME DIAMETERS
- △2 Flachstecker A2.8-0.5mm oder A2.8-0.8mm nach DIN 46244  
Flat pin A2.8-0.5mm or A2.8-0.8mm according to DIN 46244
- △3 Bereich wird beim Kontaktieren abgetrennt  
AREA WILL BE CUTTED OF BY TERMINATION
- △4 Kontakt-Kammer nach Zeichnung 411-18514  
CAVITY ACCORDING DWG 411-18514
- △5 Kennziffer fuer Lackdrahtbereich (6)  
IDENTIFICATION NO. (6)
- △6 Unter Vorstrich-Zahl 1-... auch "ohne" Rastnase lieferbar  
UNDER PRAEFIX NO: 1- .... also without locking nose available
- △7 **OBSELETE PARTS: OBSELETE CIS STREAMLINING PER D.RENAUD/D.SINISI**

ORDER-NR.	POS.	PIECE	Discription	MATERIAL	SURFACE COLOUR
1-964108-2	A	-	MAG-MATE Kontakt "without"	CuNiSi	posttinned
1-964108-1	A	-	MAG-MATE Kontakt "without"	CuNiSi	pretinned
964108-2	A	-	MAG-MATE Kontakt "with"	CuNiSi	posttinned
964108-1	A	-	MAG-MATE Kontakt "with"	CuNiSi	pretinned

THIS DRAWING IS A CONTROLLED DOCUMENT FOR TYCO ELECTRONICS CORPORATION IT IS SUBJECT TO CHANGE AND THE CONTROLLING ENGINEERING ORGANIZATION SHOULD BE CONTACTED FOR THE LATEST REVISION.

DIMENSIONS:	TOLERANCES UNLESS OTHERWISE SPECIFIED:
mm	$\pm 0.2\text{mm}$
0 PLC	$\pm$
1 PLC	$\pm$
2 PLC	$\pm$
3 PLC	$\pm$
4 PLC	$\pm$
ANGLES	$\pm 1^\circ$
MATERIAL	FINISH
SEE TABLE	SEE TABLE

DWN	A.HOLCH	17-12-91	Tyco Electronics AMP GmbH 64625 Bensheim (Germany)
CHK	H.PLÖBER	17-12-91	
APVD	-	-	
NAME			MAG-MATE TERMINAL WITH TAB-RECEPT. 2.8-0.5/0.8
PRODUCT SPEC	108-2012		RESTRICTED TO
APPLICATION SPEC	114-2046		
WEIGHT	-		SIZE
CUSTOMER DRAWING	A3	CAGE CODE	00779
		DRAWING NO	©=964108
SCALE	10:1	SHEET	1 OF 1
REV	A2		