



Chipsmall Limited consists of a professional team with an average of over 10 year of expertise in the distribution of electronic components. Based in Hongkong, we have already established firm and mutual-benefit business relationships with customers from,Europe,America and south Asia,supplying obsolete and hard-to-find components to meet their specific needs.

With the principle of “Quality Parts,Customers Priority,Honest Operation,and Considerate Service”,our business mainly focus on the distribution of electronic components. Line cards we deal with include Microchip,ALPS,ROHM,Xilinx,Pulse,ON,Everlight and Freescale. Main products comprise IC,Modules,Potentiometer,IC Socket,Relay,Connector.Our parts cover such applications as commercial,industrial, and automotives areas.

We are looking forward to setting up business relationship with you and hope to provide you with the best service and solution. Let us make a better world for our industry!



Contact us

Tel: +86-755-8981 8866 Fax: +86-755-8427 6832

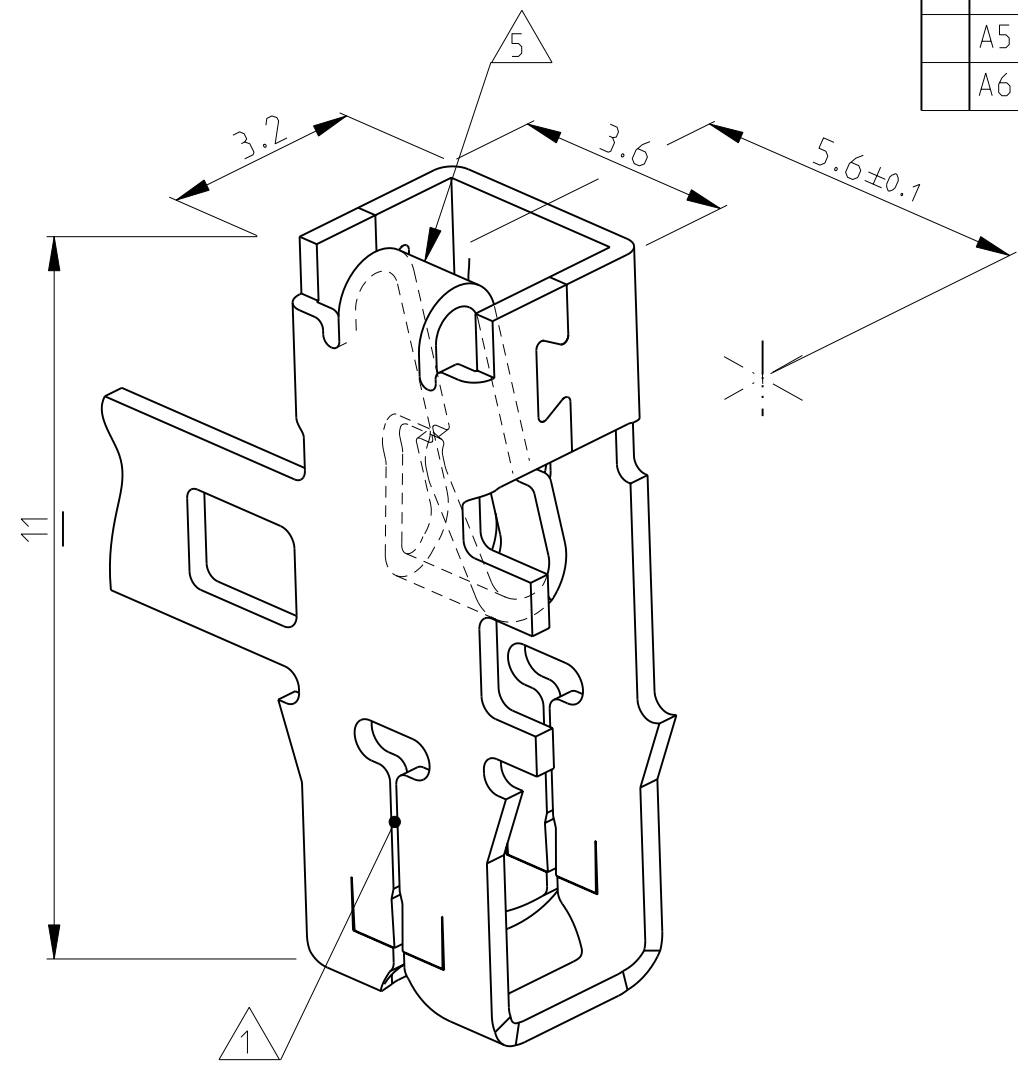
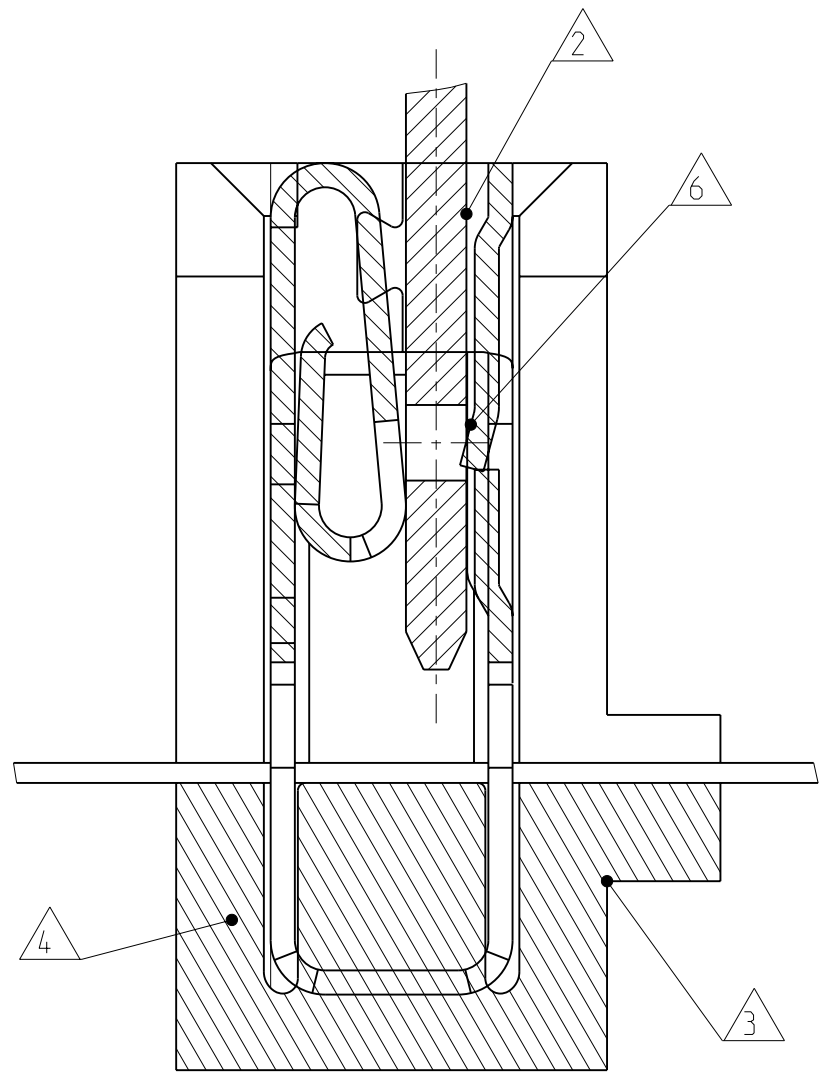
Email & Skype: info@chipsmall.com Web: www.chipsmall.com

Address: A1208, Overseas Decoration Building, #122 Zhenhua RD., Futian, Shenzhen, China



THIS DRAWING IS UNPUBLISHED. RELEASED FOR PUBLICATION 2008
 © COPYRIGHT 2008 BY TYCO ELECTRONICS CORPORATION. ALL RIGHTS RESERVED.

LOC	DIST	REVISIONS				
P	LTR	DESCRIPTION	DATE	DWN	APVD	
A1	-					
	A3	REDRAWN TO PRO/E	26.01.09	DZ	TK	
	A4	REVISED PER ECO-09-026444	27NOV09	KK	AEQ	
	A5	WIRE RANGE IN NOTE 1 CORRECTED	22FEB2010	PKS	RRP	
	A6	DRAFTING ERROR	24NOV2010	PKS	MP	



- 1 Kontakt geeignet fuer:
Lackdraht $\varnothing 0.18-0.265\text{mm}$
(Einzeldraht oder zwei Draehte gleichen Durchmessers)
Slot accepts:
SINGLE MAGNET WIRE $\varnothing 0.18-0.265\text{mm}$
DOUBLE MAGNET WIRE SAME DIAMETERS
- 2 Flachstecker A2.8-0.5mm oder A2.8-0.8mm nach DIN 46244
FLAT PIN A2.8-0.5mm OR A2.8-0.8mm ACCORDING TO DIN 46244
- 3 Bereich wird beim Kontaktieren abgetrennt
AREA WILL BE CUTTED OF BY TERMINATION
- 4 Kontakt Kammer nach Zeichnung 411-18514
CAVITY ACCORDING DWG 411-18514
- 5 Kennziffer fuer Lackdrahtbereich (4)
IDENTIFICATION NO. (4)
- 6 Unter Vorstrich-Zahl 1-... auch "ohne" Rastnase lieferbar
UNDER PRAEFIX NO: 1- ALSO "WITHOUT LOCKING NOSE AVAILABEL

7	OBSOLETE	1-964114-2	6	A	-	MAG-MATE Kontakt "ohne"	CuNiSi	nachverzinnt
		1-964114-1	6	A	-	MAG-MATE Kontakt "ohne"	CuNiSi	vorverzinnt
7	OBSOLETE	964114-2		A	-	MAG-MATE Kontakt "mit"	CuNiSi	nachverzinnt
7	OBSOLETE	964114-1		A	-	MAG-MATE Kontakt "mit"	CuNiSi	vorverzinnt
		BESTELL-NR.	POS.	STÜCK	BENENNUNG EINZELTEIL	WERKSTOFF	OBERFLÄCHE FARBE	

<small>THIS DRAWING IS A CONTROLLED DOCUMENT FOR TYCO ELECTRONICS CORPORATION IT IS SUBJECT TO CHANGE AND THE CONTROLLING ENGINEERING ORGANIZATION SHOULD BE CONTACTED FOR THE LATEST REVISION.</small>		DWN	ATZMANN	13-08-97	Tyco Electronics AMP GmbH 64625 Bensheim (Germany)
DIMENSIONS: mm		CHK	PLÖBER	13-08-97	
		APVD	ZANDER	13-08-97	
TOLERANCES UNLESS OTHERWISE SPECIFIED: n. ISO 8015, n. ISO2768-mH-E n. DIN 16901-140		PRODUCT SPEC		NAME	
0 PLC $\pm 0.2\text{mm}$ 1 PLC \pm 2 PLC \pm 3 PLC \pm 4 PLC \pm ANGLES $\pm 1^\circ$		APPLICATION SPEC		MAG-MATE TERMINAL WITH TAB-RECEPT. 2.8-0.5/0.8	
MATERIAL		WEIGHT		SIZE	RESTRICTED TO
SEE TABLE		-		A3	-
FINISH		CUSTOMER DRAWING		CAGE CODE	DRAWING NO
SEE TABLE		SCALE 10:1		00779	©=964114
		SHEET 1 OF 1		REV A6	

7 OBSOLETE PARTS: OBSOLETE CIS STREAMLINING PER D.RENAUD/D.SINISI