



Chipsmall Limited consists of a professional team with an average of over 10 year of expertise in the distribution of electronic components. Based in Hongkong, we have already established firm and mutual-benefit business relationships with customers from,Europe,America and south Asia,supplying obsolete and hard-to-find components to meet their specific needs.

With the principle of “Quality Parts,Customers Priority,Honest Operation,and Considerate Service”,our business mainly focus on the distribution of electronic components. Line cards we deal with include Microchip,ALPS,ROHM,Xilinx,Pulse,ON,Everlight and Freescale. Main products comprise IC,Modules,Potentiometer,IC Socket,Relay,Connector.Our parts cover such applications as commercial,industrial, and automotives areas.

We are looking forward to setting up business relationship with you and hope to provide you with the best service and solution. Let us make a better world for our industry!



Contact us

Tel: +86-755-8981 8866 Fax: +86-755-8427 6832

Email & Skype: info@chipsmall.com Web: www.chipsmall.com

Address: A1208, Overseas Decoration Building, #122 Zhenhua RD., Futian, Shenzhen, China

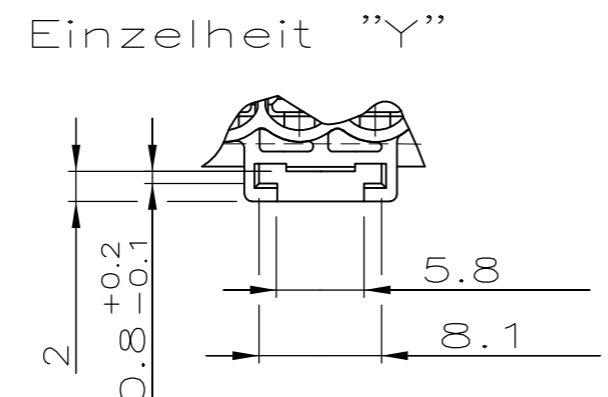
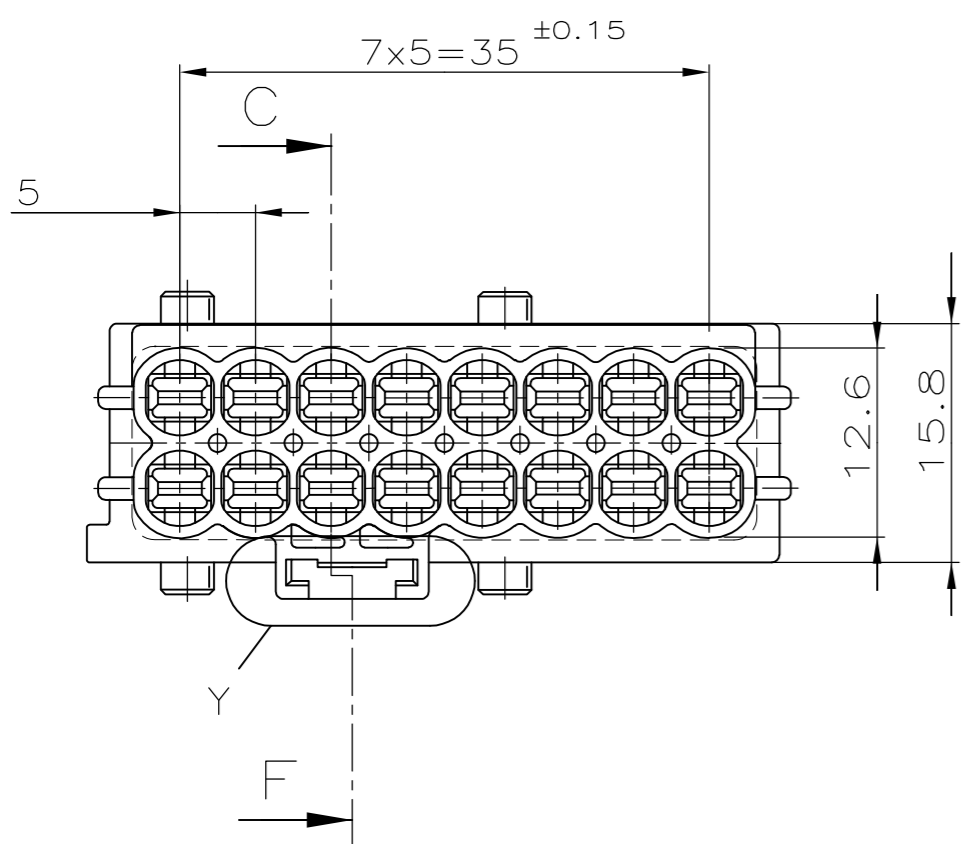
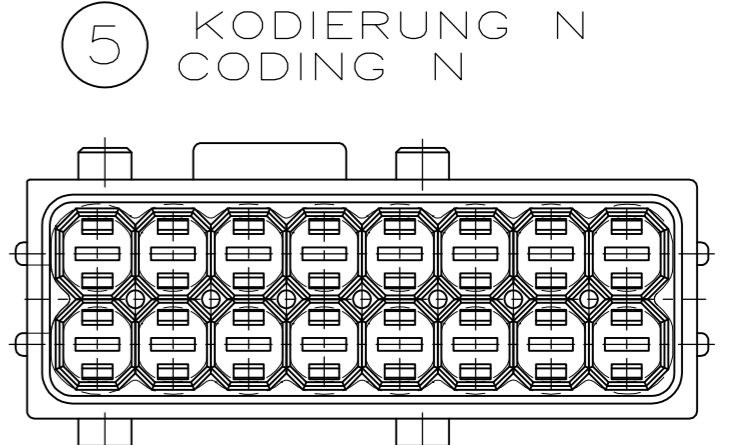
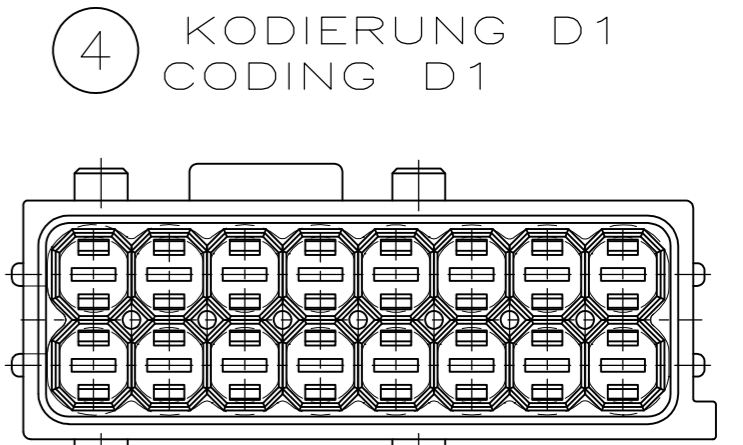
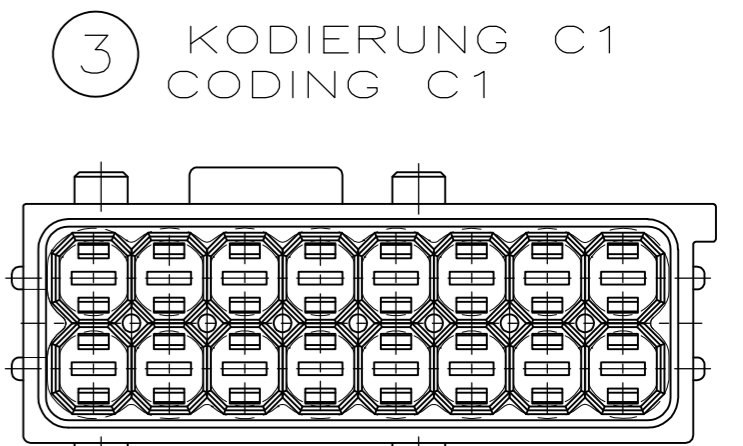
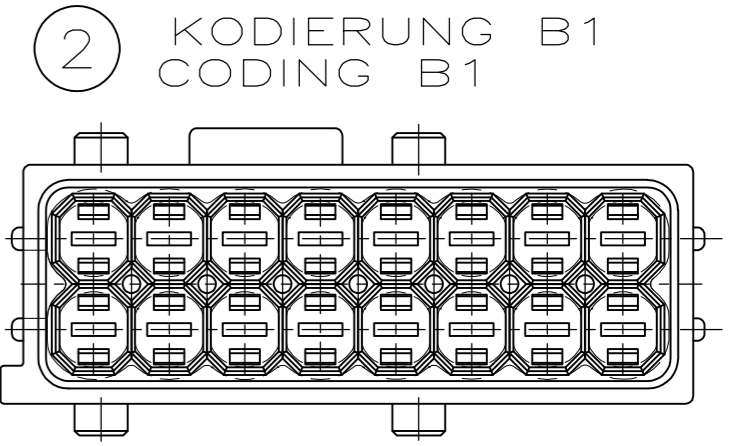
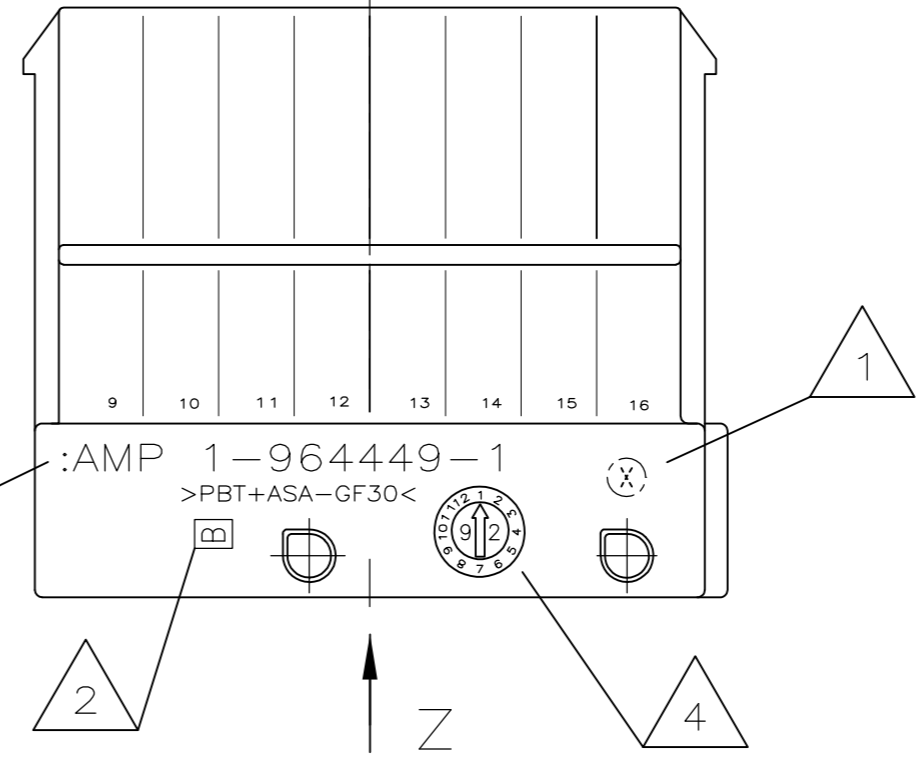
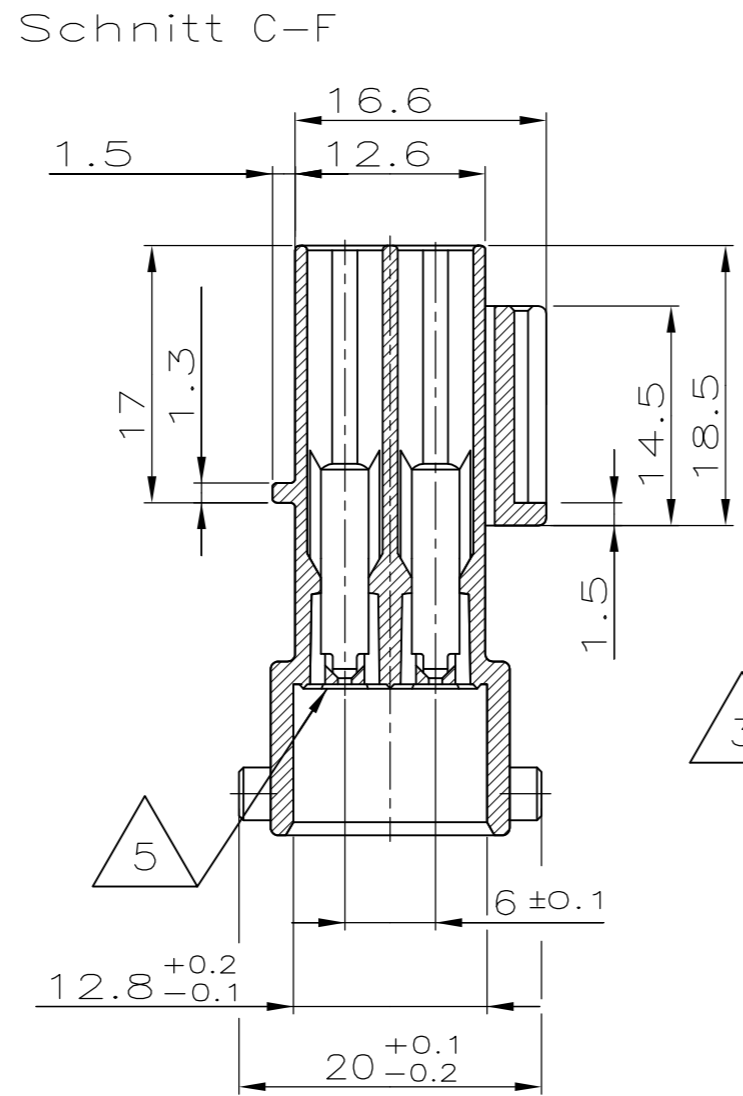
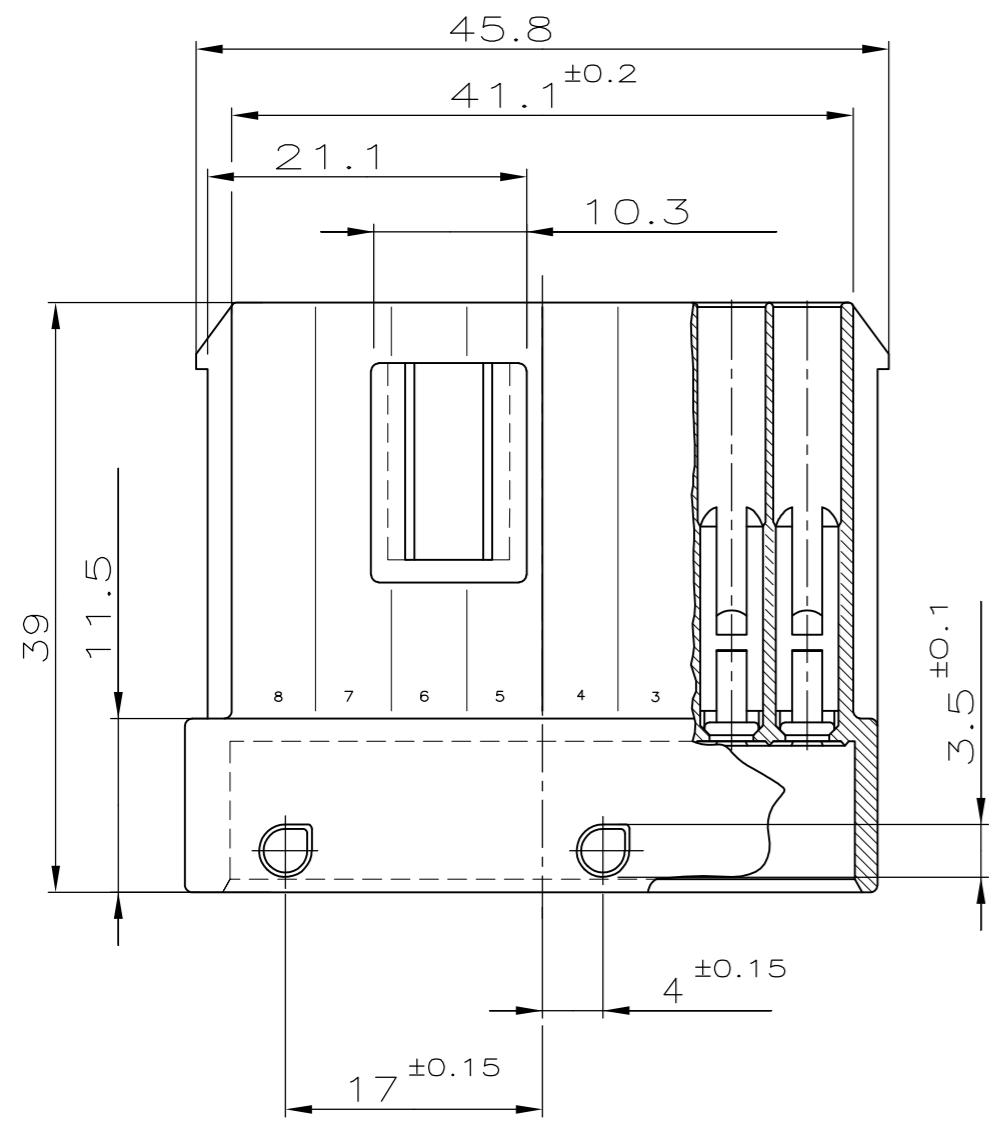


THIS DRAWING IS UNPUBLISHED
VERTRÄULICHE UNVERÖFFENTLICHTE ZEICHNUNG
© COPYRIGHT - By -

RELEASED FOR PUBLICATION
FREI FUER VERÖFFENTLICHUNG
ALL RIGHTS RESERVED.
ALLE RECHTE VORBEHALTEN

MATED WITH:
PASSED ZU:
-

LOC	DIST	REVISIONS ÄNDERUNGEN			DATE	DWN	APVD
AI	-	P	LTR	DESCRIPTION BESCHREIBUNG			
PROJEKT NR: 91-52230		B5		REVISED PER ECR-11-025934	29DEC11	RK	HMR



Bemerkungen
NOTES

- ① Nestmarkierung
CAVITY MARKING
- ② Werkzeug-Änderungsindex
REVISION STATUS OF THE MOULD
- ③ AMP Zeichen, -Nummer und Materialkennzeichnung oder TE-Logo
AMP SIGN, -NUMBER AND MATERIAL MARKING OR TE-LOGO
- ④ Produktionsdatum mit Datumstempel
PRODUCTION DATE WITH DATE INSERT
- ⑤ Passende Dichtung PN 963216-1
USED WITH SEALING 963216-1
- ⑥ Maximaler Einfall max. 0,25
SURFACE MAX. 0,25
- ⑦ Fuer Au-Varianten der Kontakte PN X-XXXXXX-3 verwenden
FOR Au-VERSION OF CONTACTS USE X-XXXXXX-3

1-..-1 wie gezeichnet
AS SHOWN

TAB	CONTACT-SYSTEM	STRIP ORDER-NO.	WIRE SIZE [mm ²]	MATERIAL	FINISH	SINGLE WIRE SEAL	COLOR	WATER-TIGHTNESS
TAB 2.8x0.8mm	△	2-962916-1	1.5 - 2.5	CuFe 2	TINNED	0-0828905-1	WHITE	IPx 9K
TAB 2.8x0.8mm	△	2-962915-1	0.75 - 1.0	CuFe 2	TINNED	0-0828904-1	LIGHT BLUE	IPx 9K
TAB 2.8x0.8mm	△	2-962915-1	0.5	CuFe 2	TINNED	0-0963294-1	BLUE	IPx 9K
TAB 2.8x0.8mm	△	1-965982-1	0.35	CuSn 4	TINNED	0-0963294-1	BLUE	IPx 9K

OB	STATUS	REV.	PC	MAT	CO	DESC	IT	
③	OBSOLETE	-	1	PBT	weiss	16pol. Gehäuse fuer 2.8mm Tab	5	
③	OBSOLETE	-	1	PBT	braun	16pol. Gehäuse fuer 2.8mm Tab	4	
③	OBSOLETE	-	1	PBT	blau	16pol. Gehäuse fuer 2.8mm Tab	3	
		-	1	PBT	grau	16pol. Gehäuse fuer 2.8mm Tab	2	
		-	1	PBT	schwarz	16pol. Gehäuse fuer 2.8mm Tab	1	
	CUSTOMER PART NO	PART NO	REV.	PCS.	MATERIAL	SURFACE COLOR	DESCRIPTION	ITEM NO

THIS DRAWING IS A CONTROLLED DOCUMENT.
DIESE ZEICHNUNG IST EIN KONTROLLIERTES DOKUMENT.

DIMENSIONS: MASSENHETEN mm

TOLERANCES UNLESS OTHERWISE SPECIFIED: ALLGEMEINTOLERANZEN

0 PLC	± 0.3 mm
1 PLC	± 0.3 mm
2 PLC	± 0.3 mm
3 PLC	± 0.3 mm
4 PLC	± 0.3 mm
ANGLES / WINKEL	± 1°

MATERIAL FINISH / OBERFLÄCHE / FARBE

TE Connectivity

16pol. Gehäuse fuer 2.8mm Tab
16 POS. TAB HOUSING 2.8MM

SCALE MASSTAB 2:1

SHEET BLATT 1 von 1

REV B5