



Chipsmall Limited consists of a professional team with an average of over 10 year of expertise in the distribution of electronic components. Based in Hongkong, we have already established firm and mutual-benefit business relationships with customers from,Europe,America and south Asia,supplying obsolete and hard-to-find components to meet their specific needs.

With the principle of “Quality Parts,Customers Priority,Honest Operation,and Considerate Service”,our business mainly focus on the distribution of electronic components. Line cards we deal with include Microchip,ALPS,ROHM,Xilinx,Pulse,ON,Everlight and Freescale. Main products comprise IC,Modules,Potentiometer,IC Socket,Relay,Connector.Our parts cover such applications as commercial,industrial, and automotives areas.

We are looking forward to setting up business relationship with you and hope to provide you with the best service and solution. Let us make a better world for our industry!



Contact us

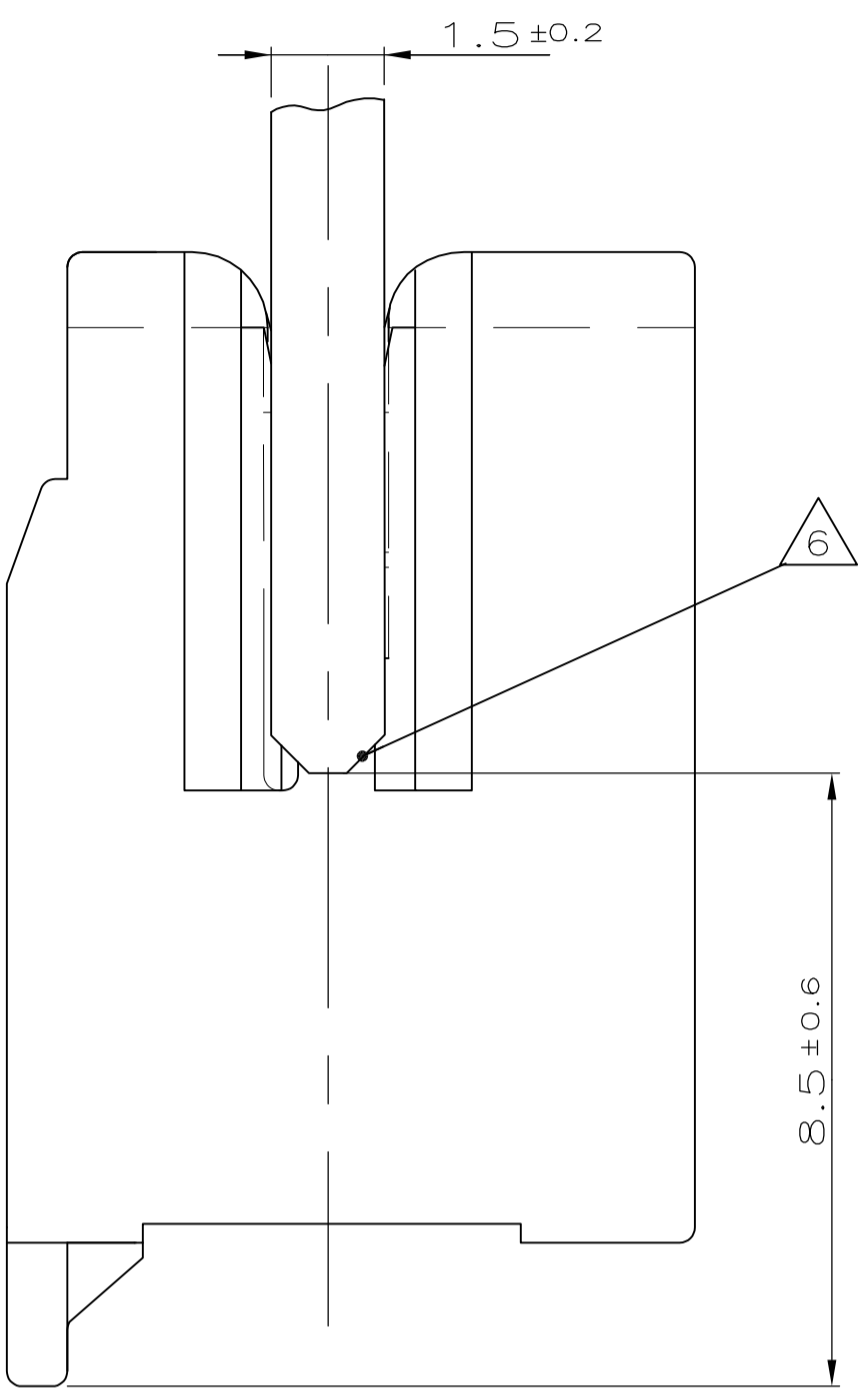
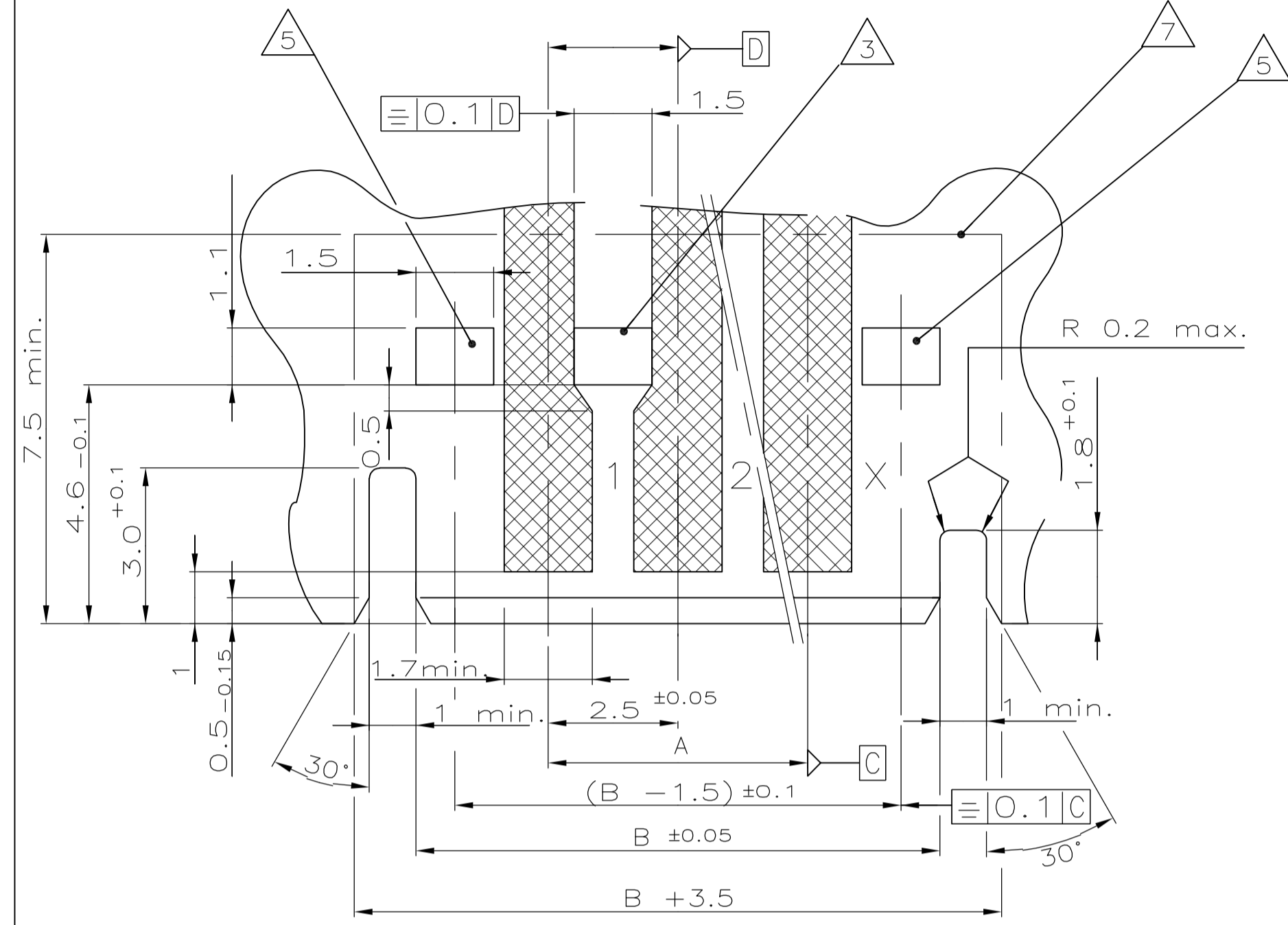
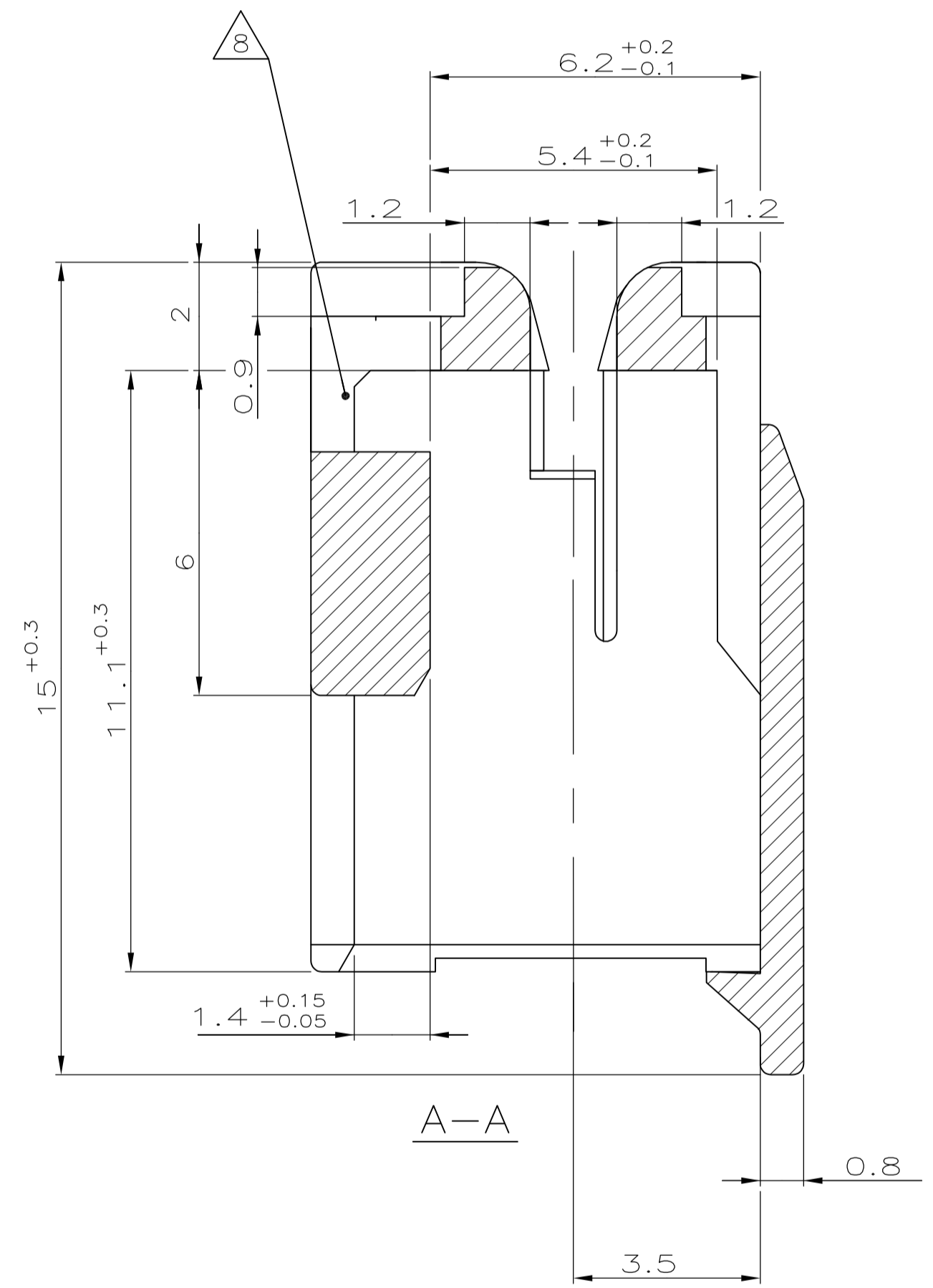
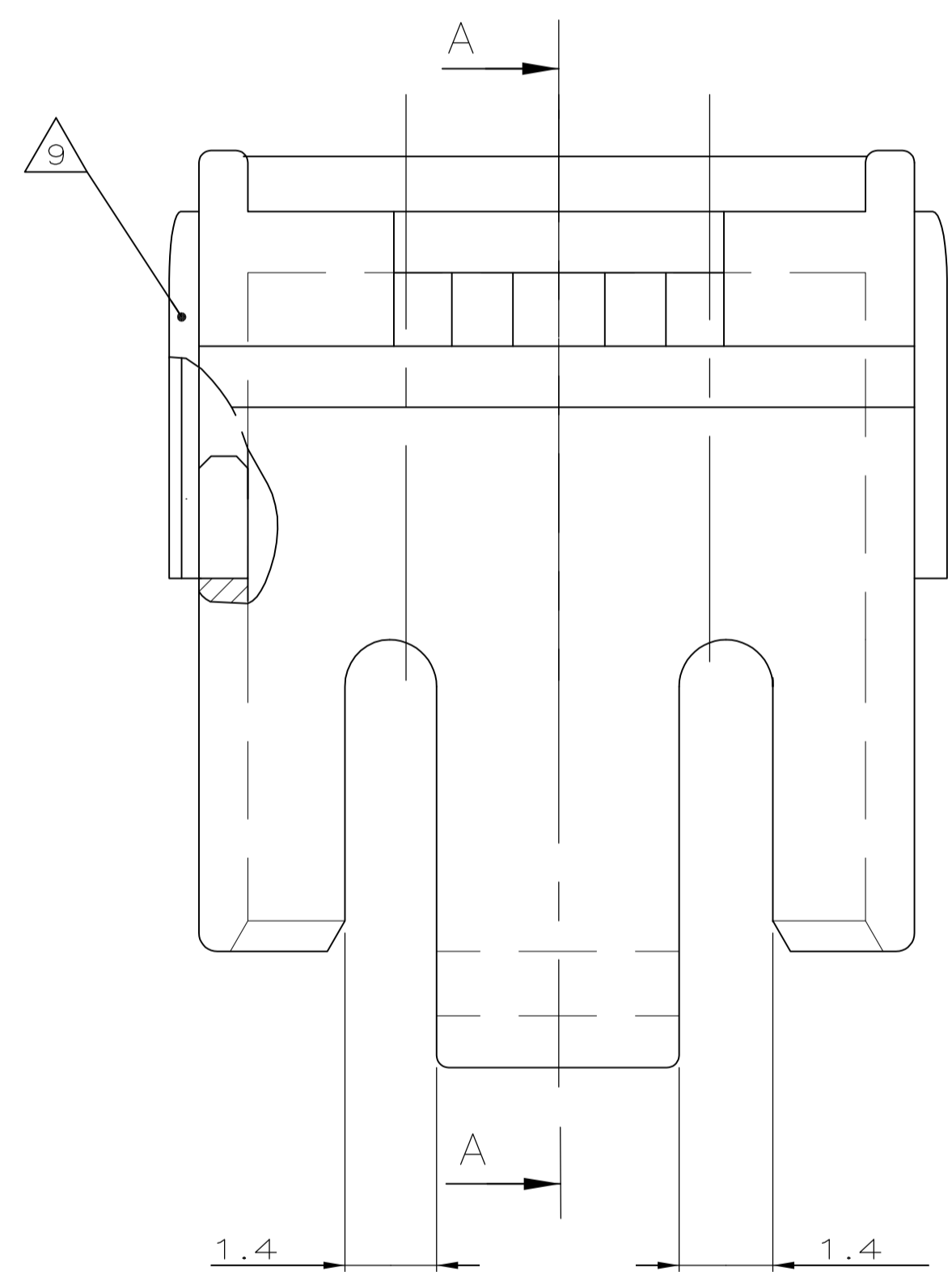
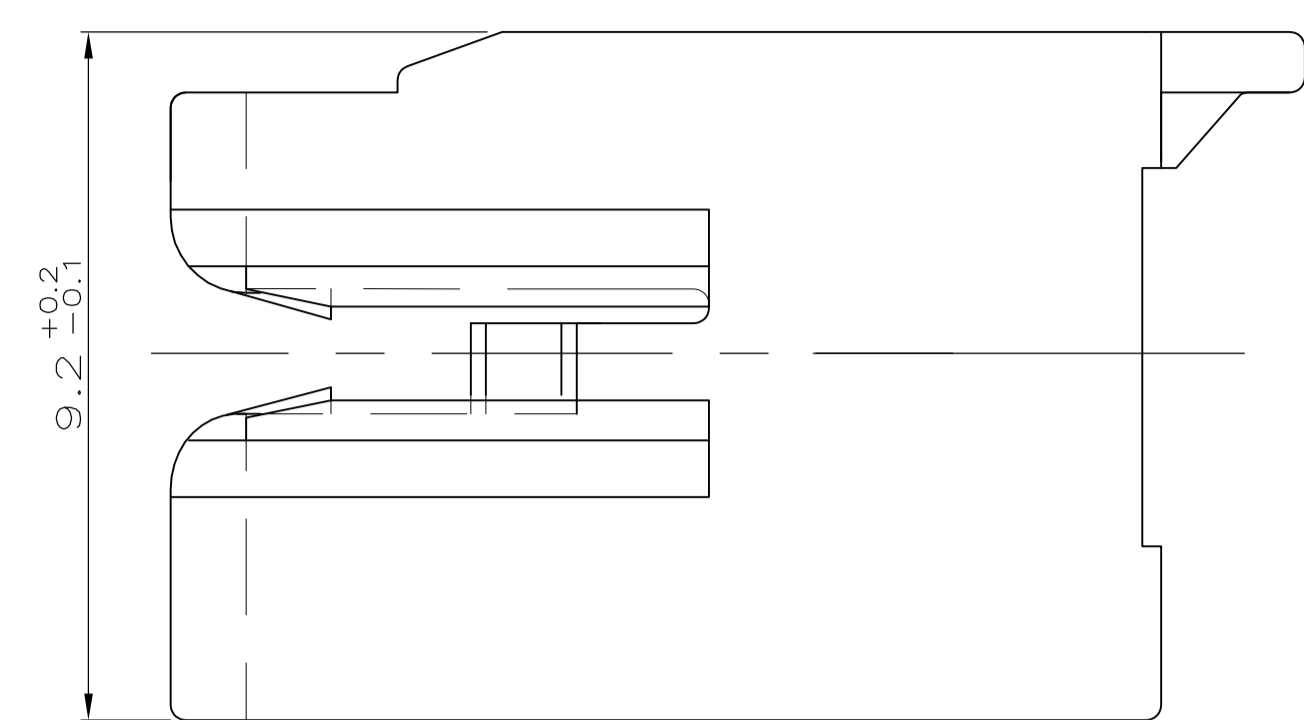
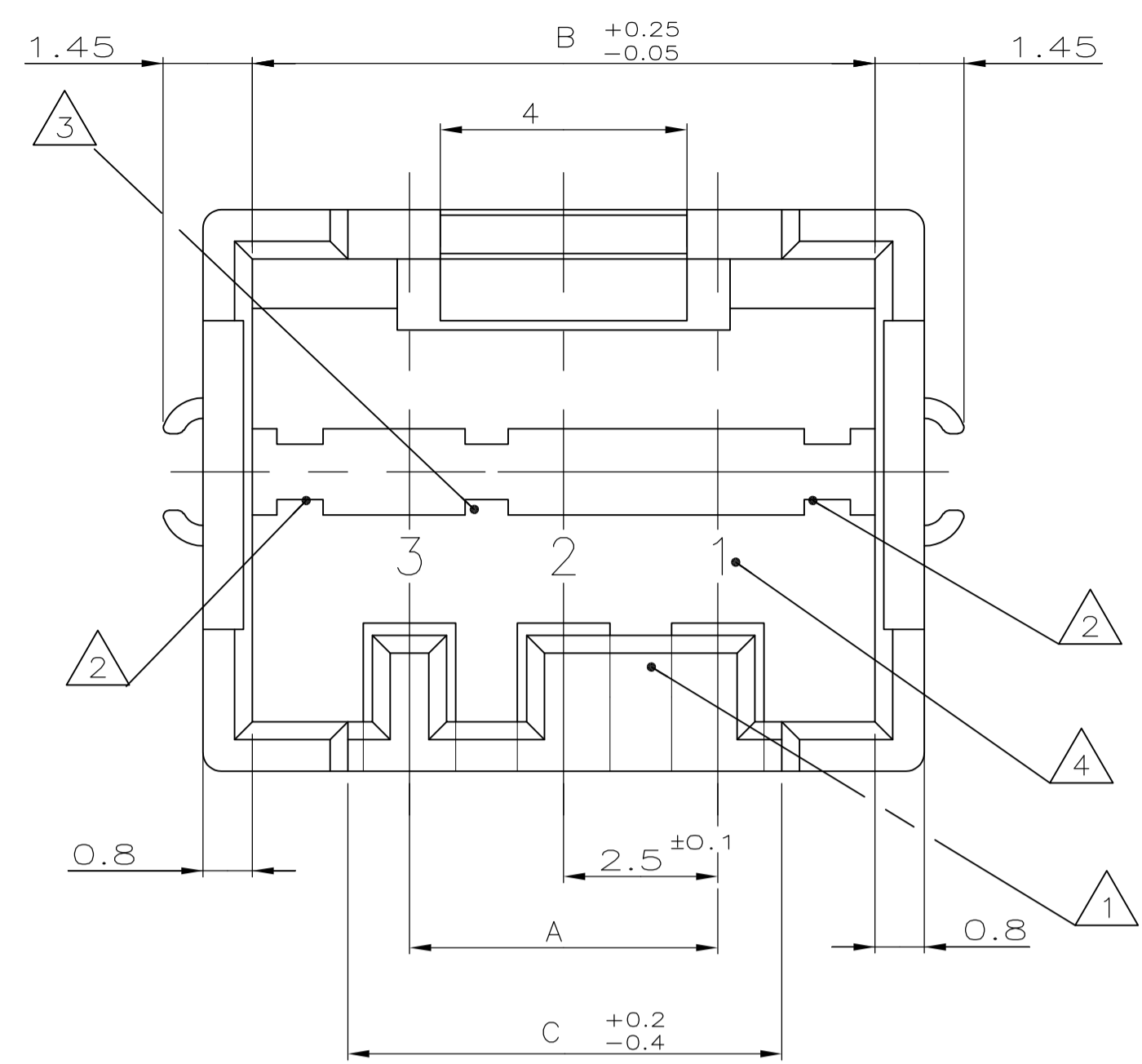
Tel: +86-755-8981 8866 Fax: +86-755-8427 6832

Email & Skype: info@chipsmall.com Web: www.chipsmall.com

Address: A1208, Overseas Decoration Building, #122 Zhenhua RD., Futian, Shenzhen, China



REVOLUTIONS		DATE	DW	APVD
NO	DESCRIPTION			
C16	ECR-12-008385	24MAY2012	C.J	R.P



FREIABTOLERANZ ±0.1
TOLERANCE NOT SPECIFIED ±0.1

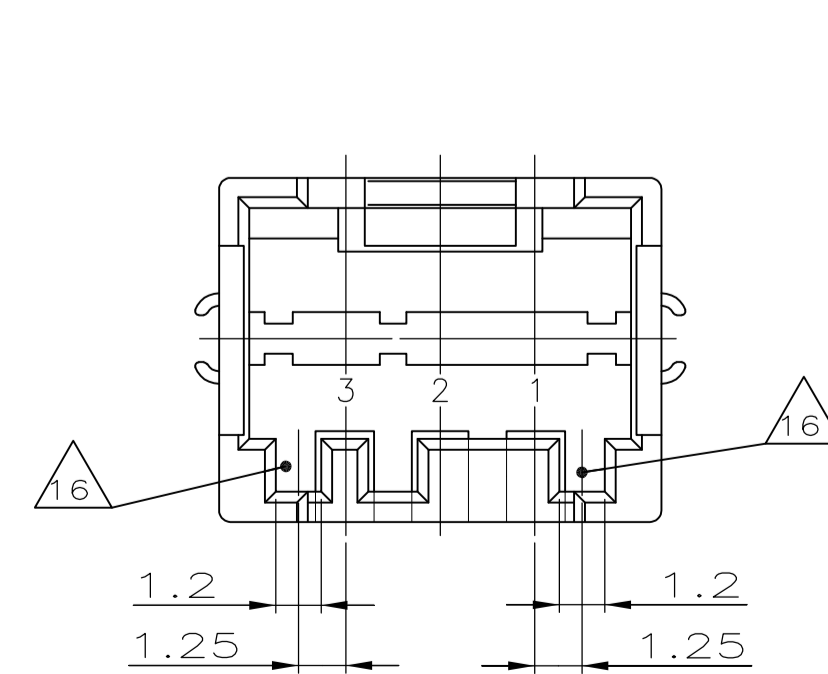
DRAHTABGANG
WIRE-DIRECTION

- ▲ KODIERUNG ZWISCHEN KAMMER 1 UND 2 DARGESTELLT (AUF ANFRAGE)
KEYING SHOWN BETWEEN CAVITY 1 AND 2 (ON REQUEST)
- ▲ RASTHAKEN BEI ERSTER UND LETZTER KAMMER IMMER VORHANDEN
LOCKING CLIP ALWAYS ON FIRST AND LAST CAVITY
- ▲ ZUSÄTZLICHE RASTHAKEN UND RASTFENSTER ZWISCHEN KAMMERN. SIEHE BLATT 2 VON 2
ADDITIONAL LOCKING CLIP BETWEEN CAVITY NO. SEE SHEET 2 OF 2
- ▲ KAMMERNUMMER
CAVITY-NO.
- ▲ RASTFENSTER IMMER VORHANDEN
LOCKING WINDOW ALWAYS PRESENT
- ▲ LEITERPLATTE VORZUGSWEISE ANGEFAST
PCB CHAMFERED PREFERABLE
- ▲ PLATZBEDARF FÜR RAHMEN
AREA FOR FRAME
- ▲ PRÜFÖFFNUNGEN
INSPECTION HOLES
- ▲ KLEMMFEDERN; NICHT VOLL AUSGESPRITZTE KONTUR ZULÄSSIG
CLIPS; SHAPE NOT FULLY MOLDED PERMISSIBLE

- 10 Passende Gegenstecker siehe PN 829 868/966 194
MATING PARTS SEE PN 829 868/966 194
- ▲ =
- ▲ 1, 2, 3, 4 SIEHE BLATT 2 VON 2
SEE SHEET 2 OF 2
- ▲ 5 SIEHE BLATT 2 VON 2
SEE SHEET 2 OF 2
- ▲ 6 Außennuten eingeengt, Varianten siehe Kodierungsbild (Blatt 2 von 2)
GROOVES ON OUTSIDE NARROWED, VERSIONS SEE KEYING PLAN (SHEET 2 OF 2)
- ▲ 7 Gi?drahttest 750°C nach DIN EN 60695-2-11 ohne Flamme
GLOW WIRE TEST 750°C ACC. DIN EN 60695-2-11 WITHOUT FLAME
- ▲ 8 OBSOLETE
- ▲ 9 PRELIMINARY PART NOT FOR PRODUCTION.

POS.	DIM A	DIM B	DIM C	REV	PART NO.
-	20	47.5	52.6	49.5	1- 964 576-0
-	19	45.0	50.1	47	1- 964 576-9
-	18	42.5	47.6	44.5	1- 964 576-8
-	17	40.0	45.1	42	2- 1- 964 576-7
-	16	37.5	42.6	39.5	1- 964 576-6
-	15	35.0	40.1	37	2- 1- 964 576-5
-	14	32.5	37.6	34.5	1- 964 576-4
-	13	30.0	35.1	32	1- 964 576-3
-	12	27.5	32.6	29.5	6- 5- 4- 3- 2- 1- 964 576-2
-	11	25.0	30.1	27	2- 1- 964 576-1

POS.	DIM A	DIM B	DIM C	REV	PART NO.
-	10	22.5	27.6	24.5	3- 2- 1- 964 575-0
-	9	20.0	25.1	22	2- 1- 964 575-9
-	9	20.0	25.1	22	9- 964 575-9 A
-	8	17.5	22.6	19.5	9- 964 575-8 A
-	8	17.5	22.6	19.5	2- 1- 964 575-8 C
-	7	15.0	20.1	17	9- 8- 7- 964 575-7 A
-	7	15.0	20.1	17	4- 3- 2- 1- 964 575-7 C
-	6	12.5	17.6	14.5	3- 2- 1- 964 575-6 C
-	5	10.0	15.1	12	9- 8- 7- 964 575-5 A
-	5	10.0	15.1	12	4- 3- 2- 1- 964 575-5 C
-	4	7.5	12.6	9.5	9- 964 575-4 A
-	4	7.5	12.6	9.5	4- 3- 2- 1- 964 575-4 C
-	3	5.0	10.1	7	9- 2- 1- 964 575-3 C
-	3	5.0	10.1	7	8- 3- 964 575-3 A



THIS DRAWING IS A CONTROLLED DOCUMENT.

DIMENSIONS: mm		TOLERANCES UNLESS OTHERWISE SPECIFIED: ±0.2 mm	
0 PLC	±	1 PLC	±
1 PLC	±	2 PLC	±
2 PLC	±	3 PLC	±
3 PLC	±	4 PLC	±
4 PLC	±	ANGLES	± 1°

MATERIAL: PA 6.6 25 % GF UL94 V-0 FINISH: SEE SHEET 2

ATZMANN 06.07.92
BORMUTH 06.07.92

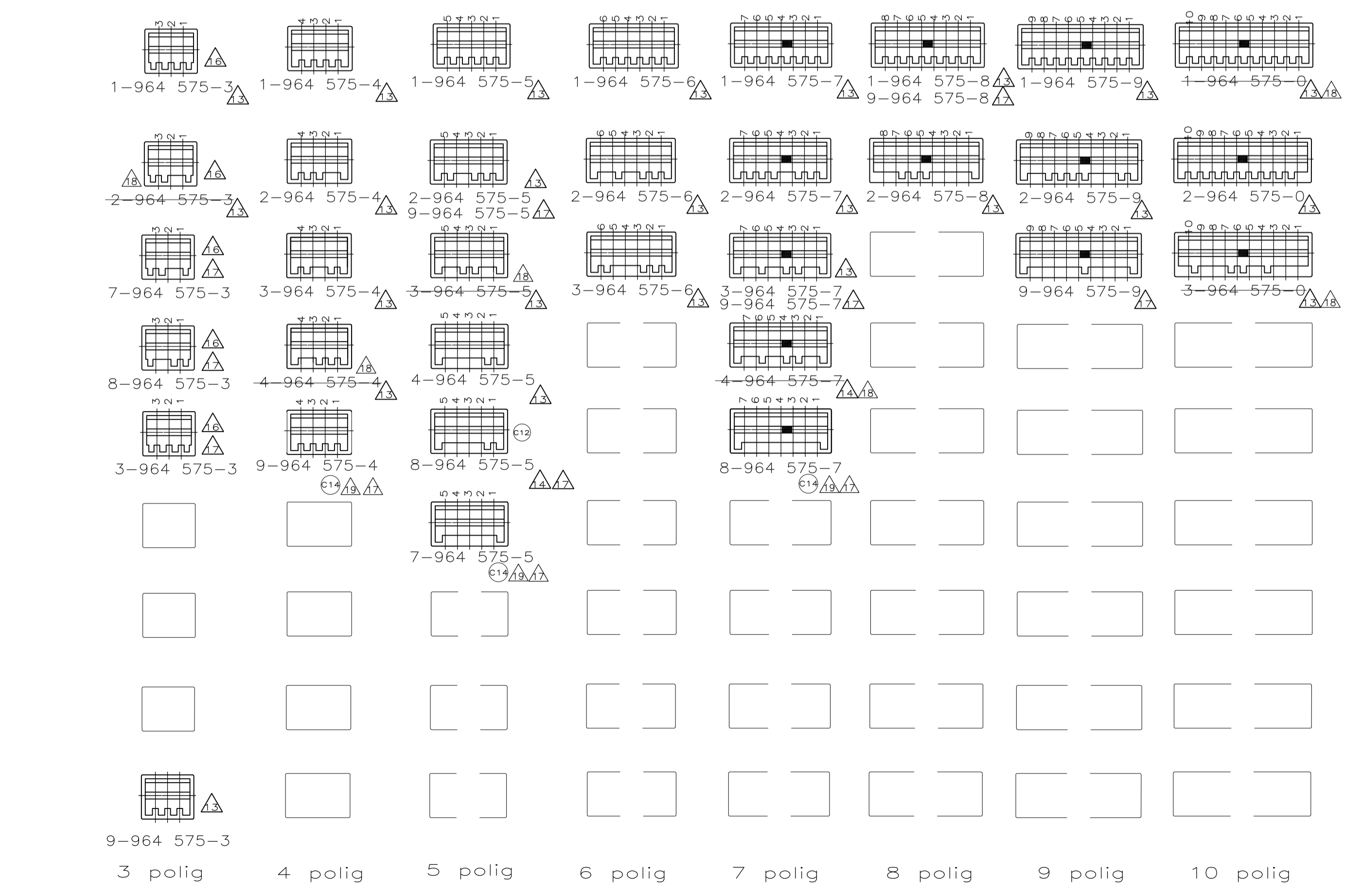
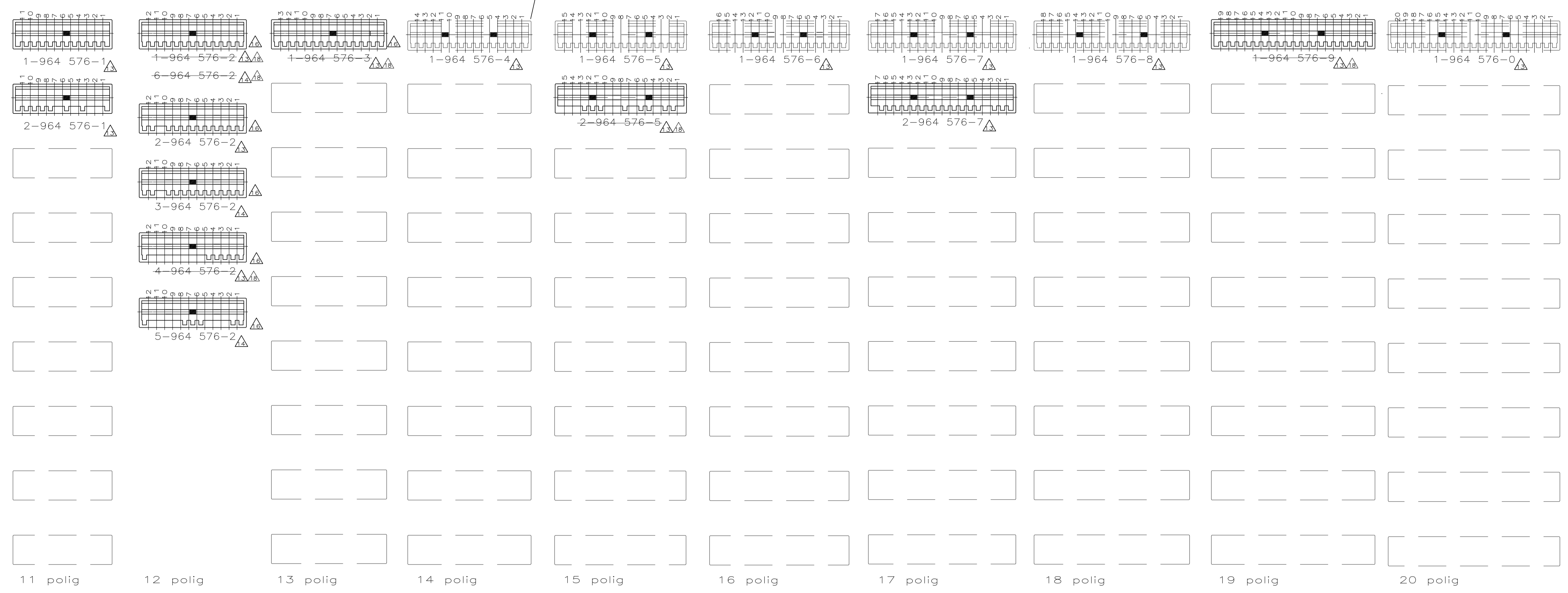
NAME: AMP DUOPLUG 2.5 SYSTEM PCB RAHMEN, 3-20 POL.
PRODUCT SPEC: AMP DUOPLUG 2.5 SYSTEM PCB FRAME, 3-20 POS.

APVD: R.P

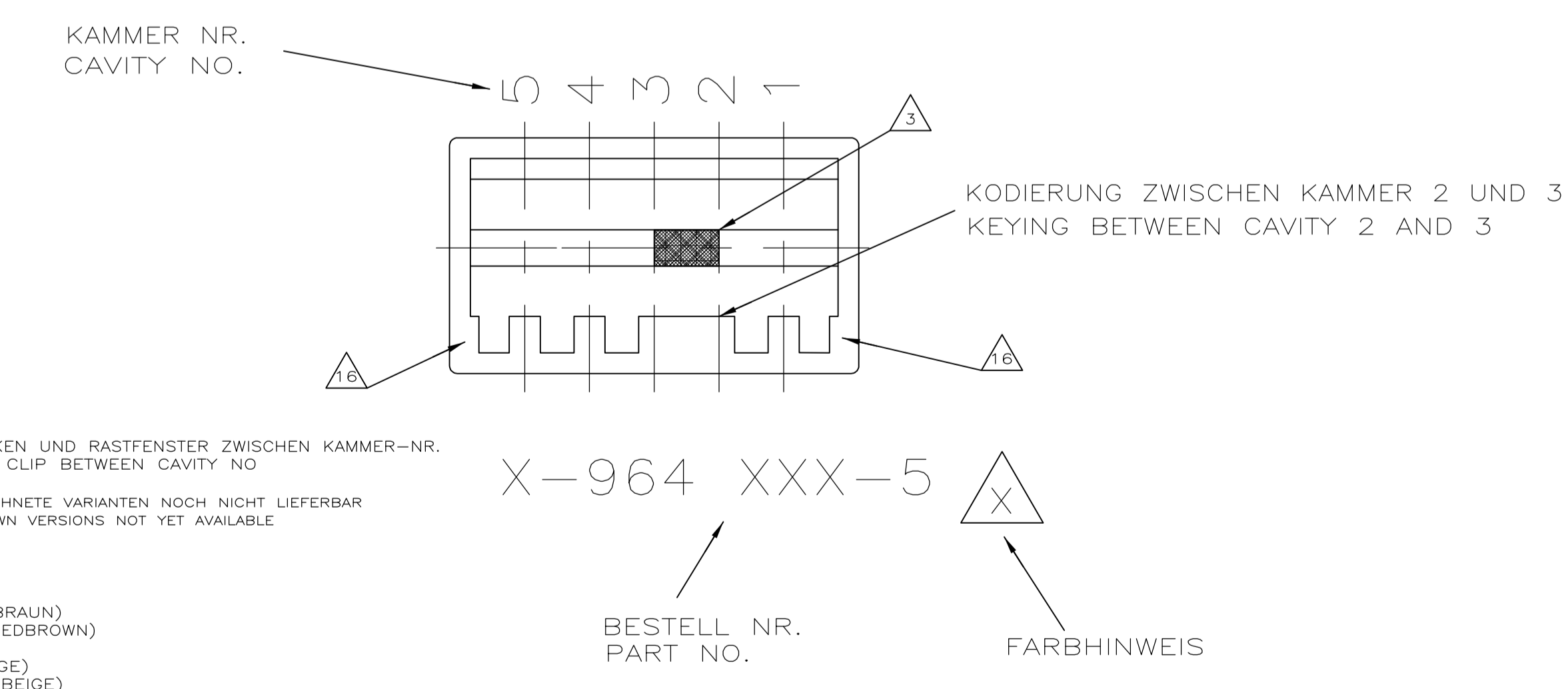
SIZE: A1 CASE CODE: 00779 DRAWING NO: 964575

WEIGHT: CUSTOMER DRAWING SCALE: 10:1 SHEET: 1 OF 2 REV: C16

LOC		DIST		REVISIONS			
P	LTR	DESCRIPTION	DATE	DN	APVD		
-	-	SEE SHEET 1	-	-	-	-	-



BEISPIEL:
EXAMPLE:



- 12 ZUSÄTZLICHE RASTHAKEN UND RASTFENSTER ZWISCHEN KAMMER-NR.
ADDITIONAL LOCKING CLIP BETWEEN CAVITY NO.
- 13 MIT STRICHLINIE GEZEICHNETE VARIANTEN NOCH NICHT LIEFERBAR
WITH STROKE LINE DRAWN VERSIONS NOT YET AVAILABLE
- 14 FARBE: SCHWARZ
COLOUR: BLACK
- 15 FARBE: NATUR (ROTBRAUN)
COLOUR: NATURAL (REDBROWN)
- 16 FARBE: NATUR (BEIGE)
COLOUR: NATURAL (BEIGE)
- 16 Außennuten eingengt, Varianten siehe Kodierungsbilder
GROOVES ON OUTSIDE NARROWED, VERSIONS SEE KEYING SCETCHES

THIS DRAWING IS A CONTROLLED DOCUMENT.		DIN MASEK 05.04.93	 TE Connectivity
DIMENSIONS: mm		CHK BORMUTH 05.04.93	
TOLERANCES UNLESS OTHERWISE SPECIFIED: ±0.2 mm		APVD	NAME: AMP DUOPLUG 2.5 SYSTEM PCB RAHMEN 3-20 POL. AMP DUOPLUG 2.5 SYSTEM PCB FRAME 3-20 POL.
0 PLC ± -		PRODUCT SPEC	APPLICATION SPEC
1 PLC ± -		SIZE	CAGE CODE DRAWING NO.
2 PLC ± -		WEIGHT	A1 00779 964575
3 PLC ± -		CUSTOMER DRAWING	SCALE 10:1 SHEET 2 OF 2 REV C16
4 PLC ± -			
ANGLES ± 1°			
MATERIAL SEE SHEET 1			
FINISH SEE SHEET 1			