



Chipsmall Limited consists of a professional team with an average of over 10 year of expertise in the distribution of electronic components. Based in Hongkong, we have already established firm and mutual-benefit business relationships with customers from,Europe,America and south Asia,supplying obsolete and hard-to-find components to meet their specific needs.

With the principle of “Quality Parts,Customers Priority,Honest Operation,and Considerate Service”,our business mainly focus on the distribution of electronic components. Line cards we deal with include Microchip,ALPS,ROHM,Xilinx,Pulse,ON,Everlight and Freescale. Main products comprise IC,Modules,Potentiometer,IC Socket,Relay,Connector.Our parts cover such applications as commercial,industrial, and automotives areas.

We are looking forward to setting up business relationship with you and hope to provide you with the best service and solution. Let us make a better world for our industry!



## Contact us

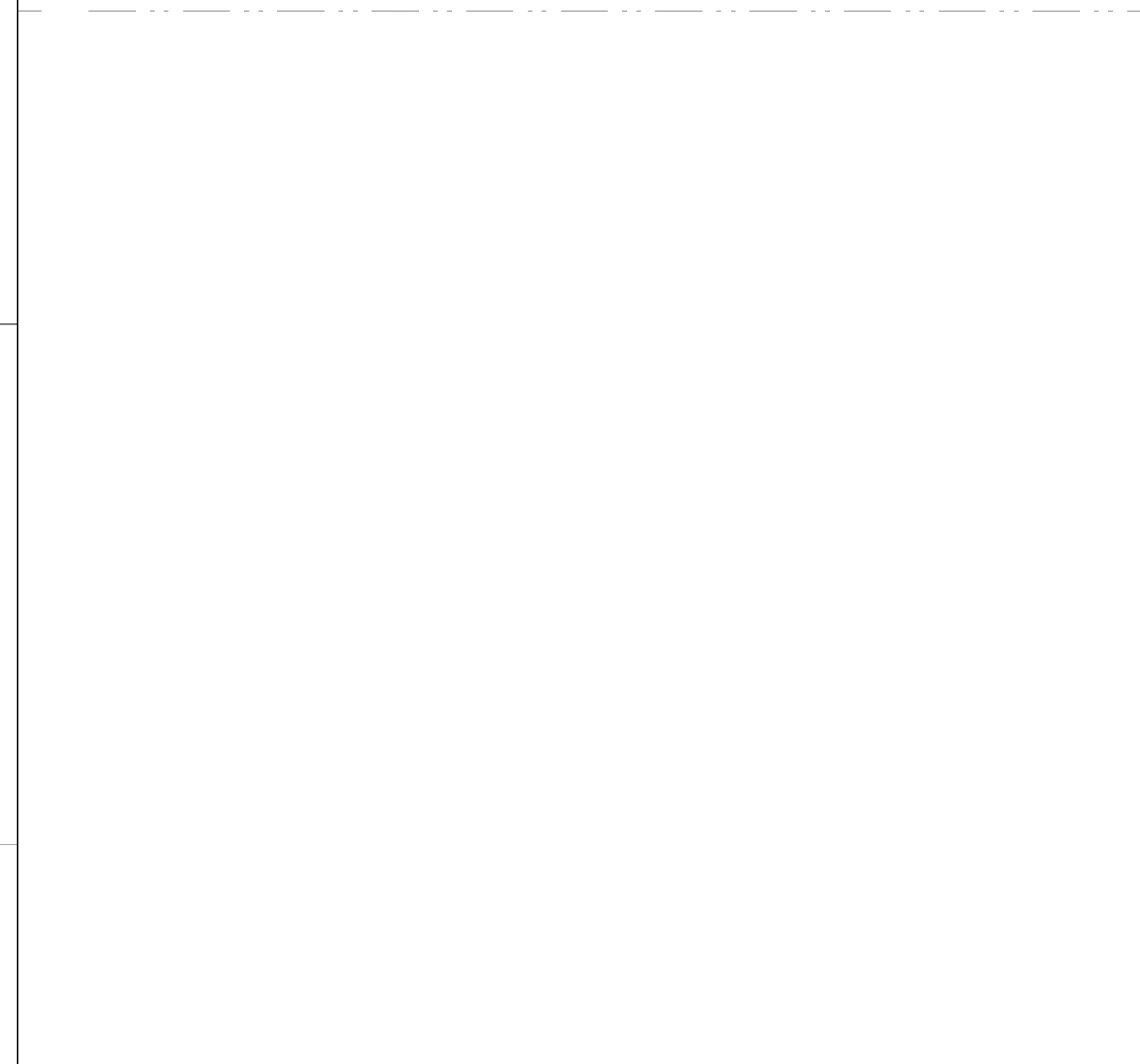
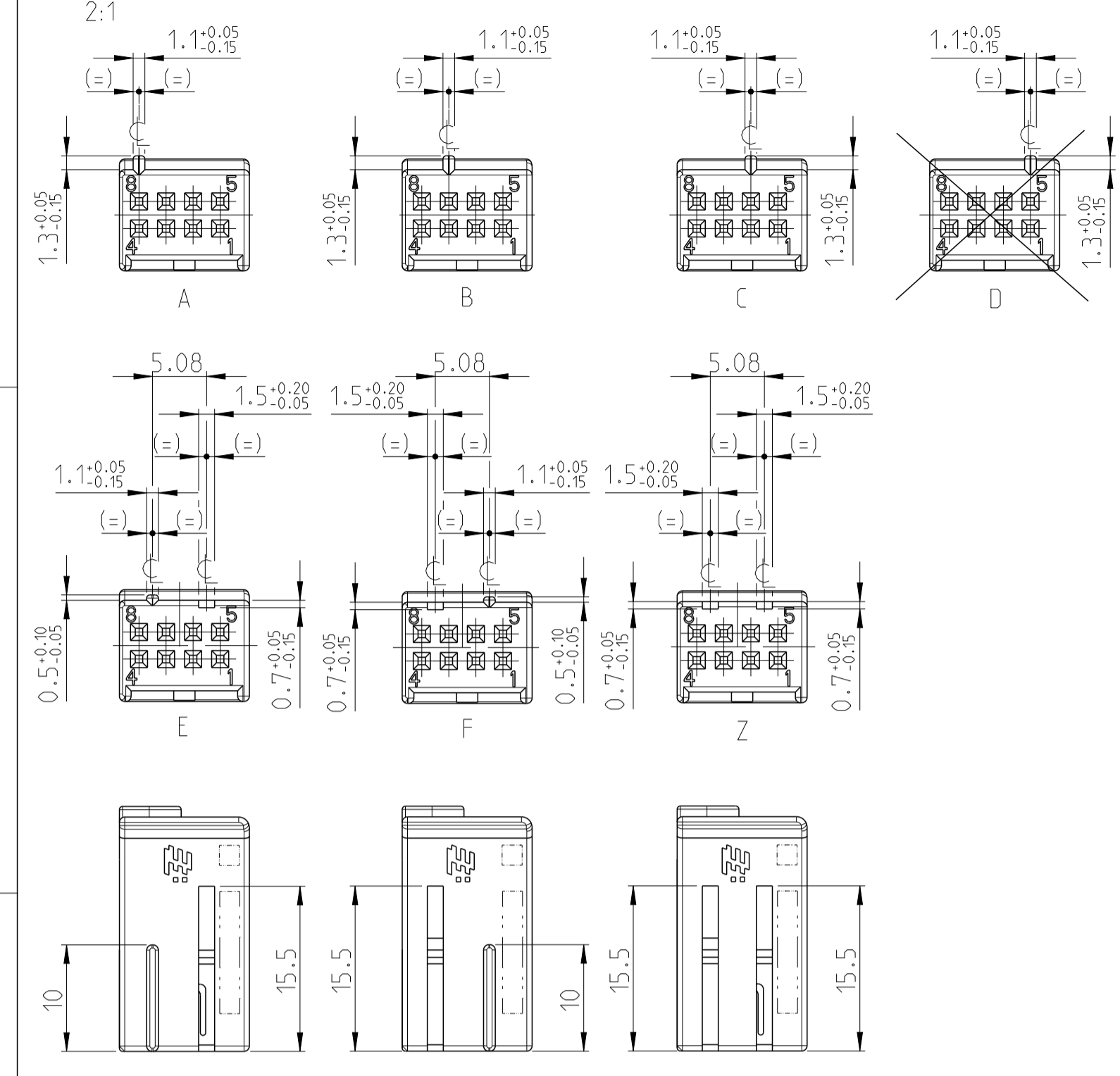
Tel: +86-755-8981 8866 Fax: +86-755-8427 6832

Email & Skype: info@chipsmall.com Web: www.chipsmall.com

Address: A1208, Overseas Decoration Building, #122 Zhenhua RD., Futian, Shenzhen, China

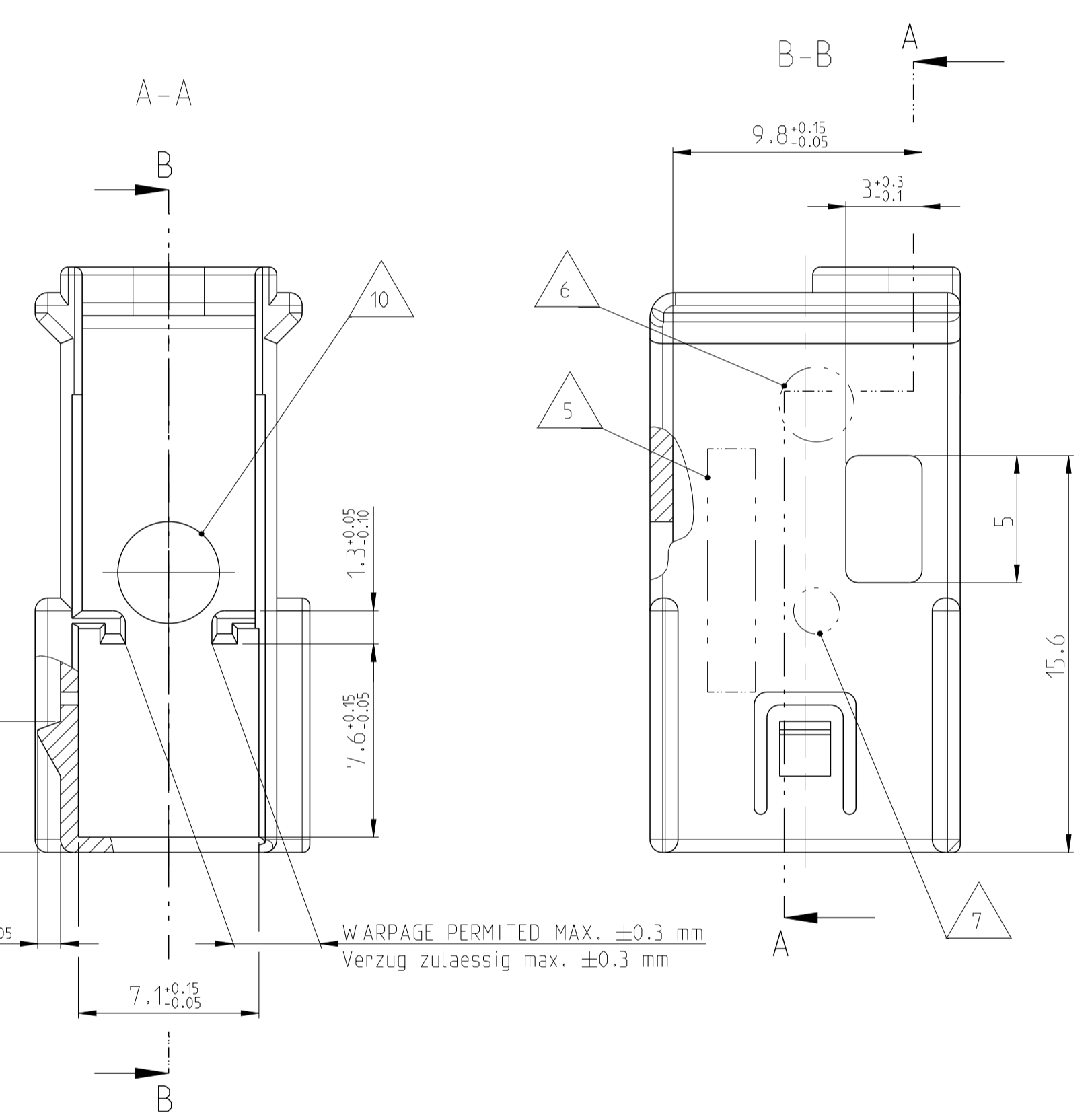
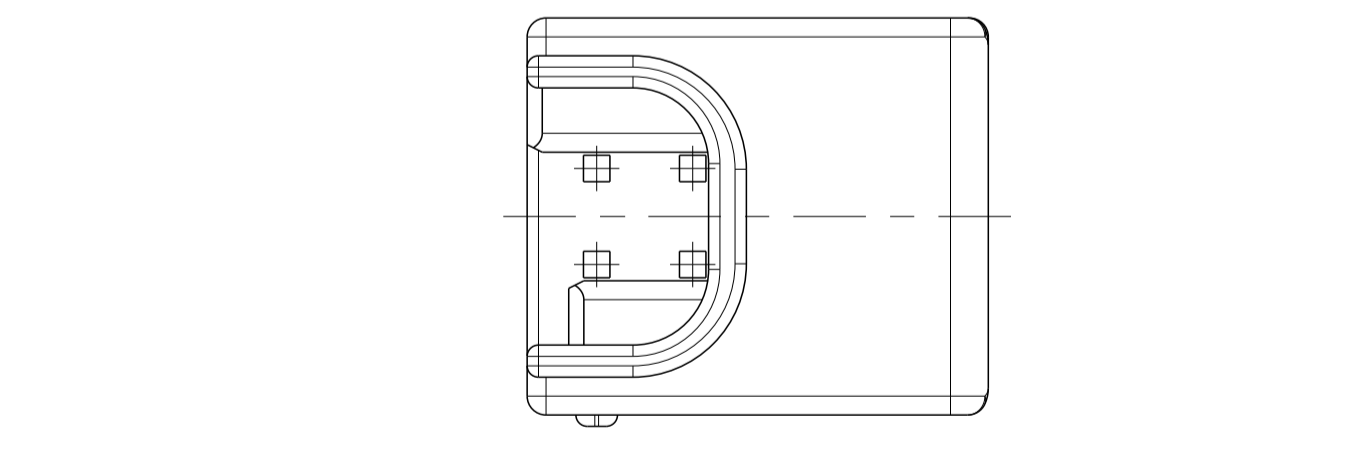
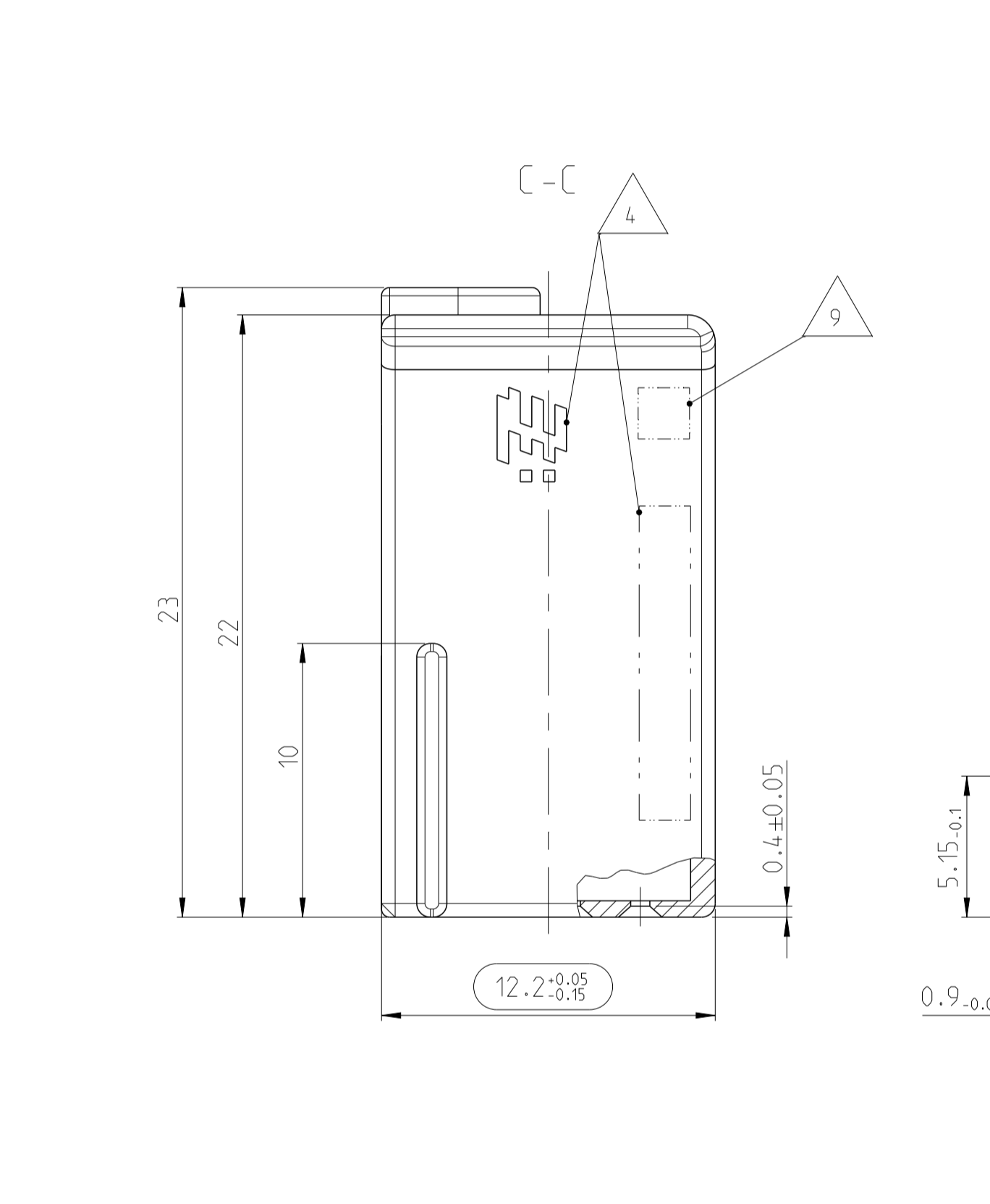
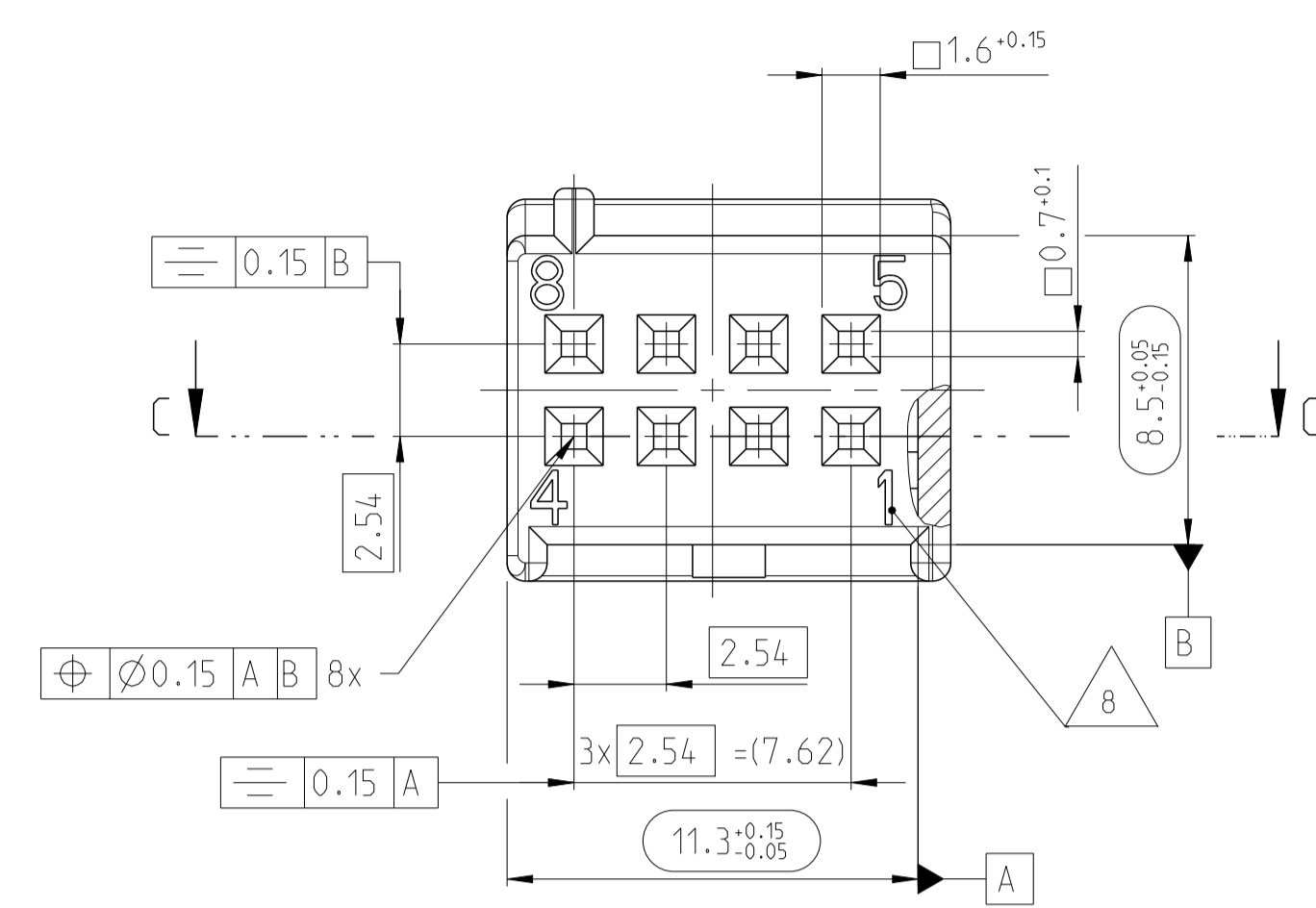


**CODINGS**  
 Kodierungen  
 2:1



NOTE Bem.	FEATURE Merkmal	TE Connectivity - No.
12	PRODUCT-SPEC. Produkt-Spez.	108-18463-1
13	MATING TO INTERFACE BY TE Connectivity Passend zu AV von TE Connectivity	114-18063-29
14	USEABLE MATING PART BY TE Connectivity Passendes Gegenstueck von TE Connectivity	965601-2

COD	TE Connectivity PART-NO.	REV	DESCRIPTION	MATERIAL	VOLUME [cm³]	WEIGHT [g]	SURFACE COLOUR
Z	9-965600-1	A	SHIELD, 8 POS. Abdeckkappe, 8 pol.	PBT-GF15	0.7	1	wasserblau/WATERBLUE aehn./SIML. RAL 5021
F	6-965600-1	A	SHIELD, 8 POS. Abdeckkappe, 8 pol.	PBT-GF15	0.7	1	braun/BROWN aehn./SIML. RAL 8011
E	5-965600-2	A	SHIELD, 8 POS. Abdeckkappe, 8 pol.	PBT-GF15	0.7	1	gruen/GREEN aehn./SIML. RAL 6017
D	-	-	SHIELD, 8 POS. Abdeckkappe, 8 pol.	PBT-GF15	-	-	gelb/YELLOW aehn./SIML. RAL 1018
C	3-965600-1	B	SHIELD, 8 POS. Abdeckkappe, 8 pol.	PBT-GF15	0.7	1	blau/BLUE aehn./SIML. RAL 5012
B	2-965600-1	B	SHIELD, 8 POS. Abdeckkappe, 8 pol.	PBT-GF15	0.7	1	natur NATURE
A	1-965600-1	B	SHIELD, 8 POS. Abdeckkappe, 8 pol.	PBT-GF15	0.7	1	schwarz/BLACK RAL 9011



**NOTES**  
 Bemerkungen

- ONLY THE GERMAN LANGUAGE VERSION IS AUTHORITATIVE  
 Massgebend ist nur der deutsche Text
- CODING A AS SHOWN  
 Kodierung A wie gezeichnet
- FUNCTIONAL MEASUREMENTS MARKED WITH ( ) ARE DOCUMENTED IN THE PPFB. NOT MARKED MEASUREMENTS ARE MEASURED, BUT NOT DOCUMENTED IN THE PPFB. DEVIATIONS HAVE TO BE CORRECTED.  
 Funktionsbestimmende Masse, die mit ( ) gekennzeichnet sind, werden im PPFB dokumentiert. Nicht gekennzeichnete Masse werden ebenfalls ausgemessen, aber nicht im PPFB dokumentiert. Abweichungen sind zu korrigieren.
- SUPPLIER-MARK  
 Lieferantenkennzeichnung
- MATERIAL IDENTIFICATION  
 Materialkennzeichnung
- DATE INSERT  
 Datumstempel
- MOULD CAVITY MARKING: FOR FIRST MOULD Y; FOR FURTHER MOULDS X.Y  
 X = MOULD NUMBER  
 Y = MOULD CAVITY NUMBER  
 Formstempelmessung: fuer erstes Werkzeug Y; fuer weitere Werkzeuge X.Y  
 X = Werkzeug-Nr.  
 Y = Formstemp-Nr.
- CAVITY IDENTIFICATION  
 Kammer-Kennzeichnung
- SUPPLIER REVISION INDEX  
 Revisionsindex des Lieferanten
- THROUGH HOLE NOT RELEVANT TO FUNCTION OF CONNECTOR.  
 Durchbruch nicht funktionsrelevant fuer Steckverbinder.  
 Werkzeugkernabstuetzung
- SUPPLIED FORM: LOOSE PIECE IN CORRUGATED SHIPPING BOX  
 Auslieferungsform: Schuetztgut in Versandkarton

THIS DRAWING IS A CONTROLLED DOCUMENT.  
 Diese Zeichnung ist ein kontrolliertes Dokument.

DIMENSIONS: MASSENHEITEN: (mm)

TOLERANCES UNLESS OTHERWISE SPECIFIED ACC. TO DIN 9130-100. QUALITY HAS THE RELEVANT VERSION AT THE MOMENT OF PART CONSTRUCTION. Preussageneration nach DIN 9130-100. Giltigkeit hat die aktuelle Version zum Zeitpunkt der Teilanfertigung.

TOLERANZEN UNLESS OTHERWISE SPECIFIED ACC. TO DIN 9130-100. QUALITÄT HAT DIE BEZÜGLICHE VERSION ZUM ZEITPUNKT DER TEILANFERTIGUNG.

MATERIAL: FINISH/OBERFLÄCHENFARBE

WEIGHT GEWICHT

CUSTOMER DRAWING

DWN R. Schaffnir 23NOV2010  
 CHK H. Holland-Cunz 23NOV2010  
 APVD J. Wollner 23NOV2010

NAME SHIELD FOR MQS-HOUSING, 8 POS. Abdeckkappe fuer MQS-Gehaeuse, 8 pol.

SIZE CAGE CODE DRAWING NO. RESTRICTED TO NUR FÜR -  
 A | 00779 | 965600 | 1

SCALE MASSSTAB 5:1 SHEET BLATT 1 OF 1 REV. C 6

