



Chipsmall Limited consists of a professional team with an average of over 10 year of expertise in the distribution of electronic components. Based in Hongkong, we have already established firm and mutual-benefit business relationships with customers from,Europe,America and south Asia,supplying obsolete and hard-to-find components to meet their specific needs.

With the principle of "Quality Parts,Customers Priority,Honest Operation,and Considerate Service",our business mainly focus on the distribution of electronic components. Line cards we deal with include Microchip,ALPS,ROHM,Xilinx,Pulse,ON,Everlight and Freescale. Main products comprise IC,Modules,Potentiometer,IC Socket,Relay,Connector.Our parts cover such applications as commercial,industrial, and automotives areas.

We are looking forward to setting up business relationship with you and hope to provide you with the best service and solution. Let us make a better world for our industry!



## Contact us

Tel: +86-755-8981 8866 Fax: +86-755-8427 6832

Email & Skype: info@chipsmall.com Web: www.chipsmall.com

Address: A1208, Overseas Decoration Building, #122 Zhenhua RD., Futian, Shenzhen, China



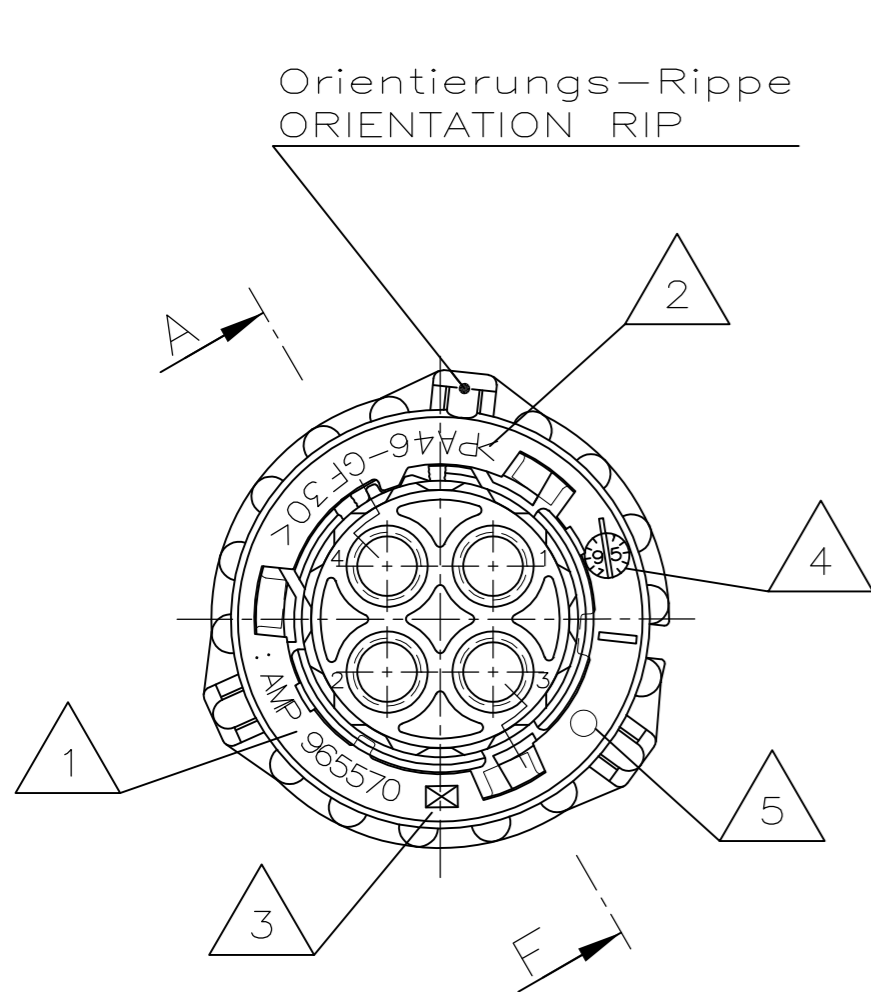
THIS DRAWING IS UNPUBLISHED.  
VERTRAULICHE UNVERÖFFENTLICHTE ZEICHNUNG

RELEASED FOR PUBLICATION  
FREI FUER VERÖFFENTLICHUNG

ALL RIGHTS RESERVED.  
ALLE RECHTE VORBEHALTEN

MATED WITH:  
PASSEND ZU:  
967402

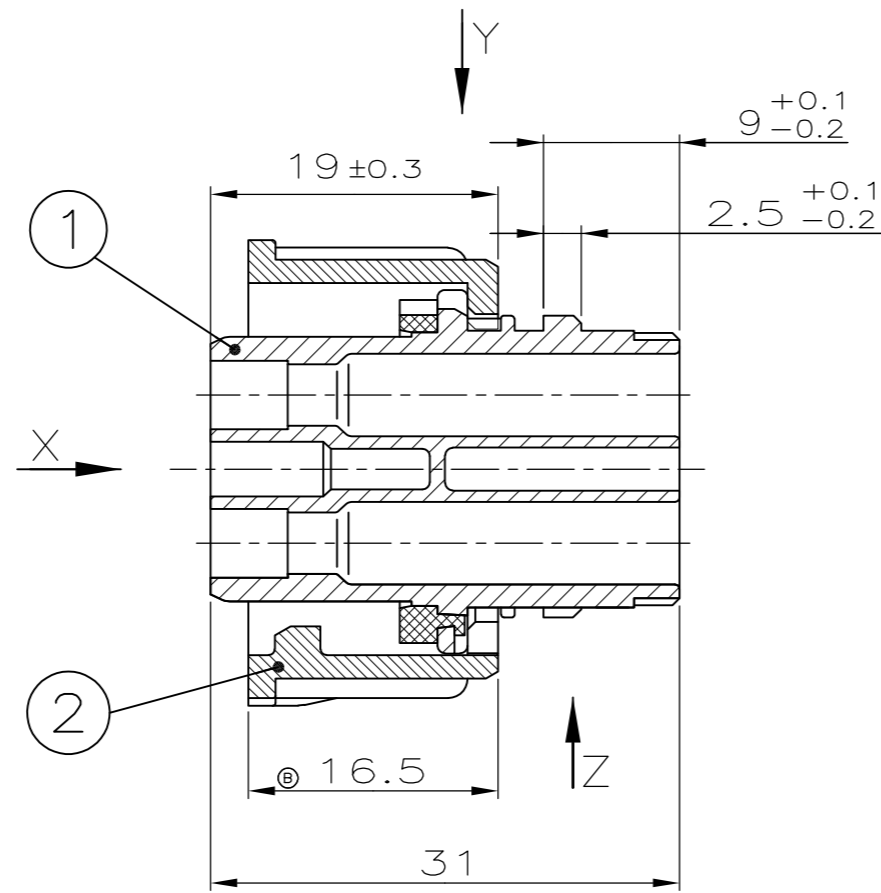
LOC	DIST	REVISIONS			DATE	DWN	APVD
AI	-	P	LTR	DESCRIPTION			
PROJECT NR.: 92-52069				D2	REVISED PER ECR-11-025934	28DEC11	RK HMR



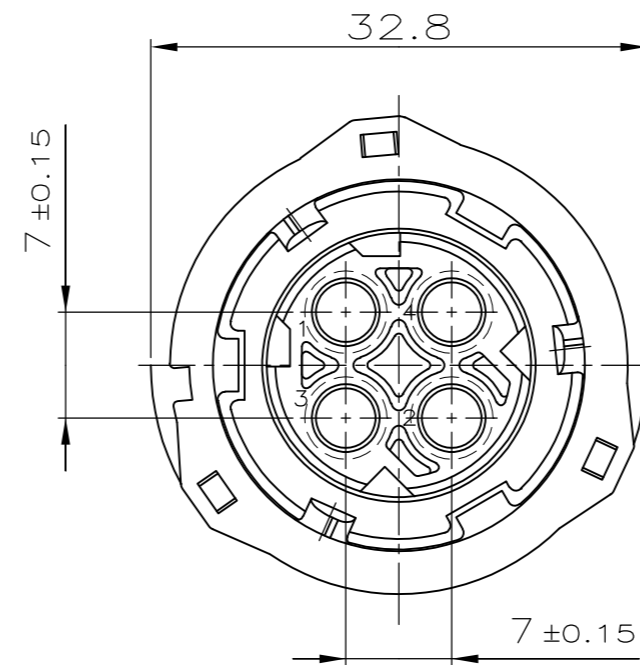
-Kupplungsring in Vorraststellung  
(Fügeposition mit Stiftgehäuse)

-COUPLING-RING IN PRE-LOCKED POSITION  
(FITTING POSITION WITH PIN HOUSING)

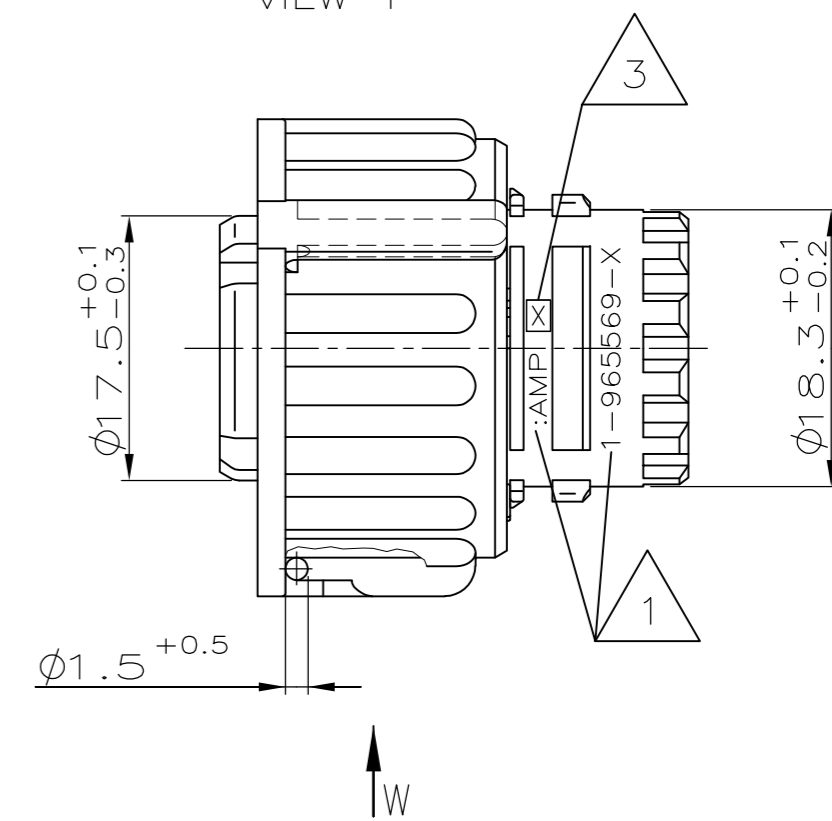
Schnitt A-F  
SECTION A-F



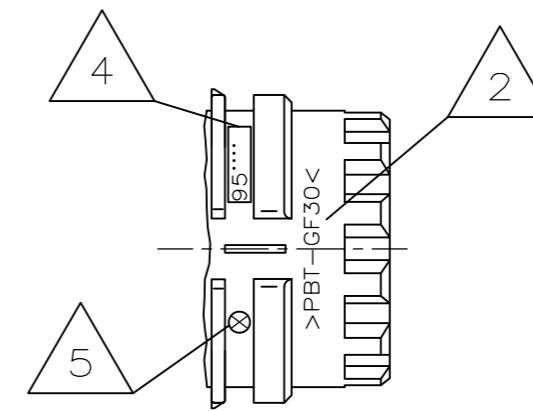
Ansicht X  
30° gedreht  
VIEW X  
30° ROTATED



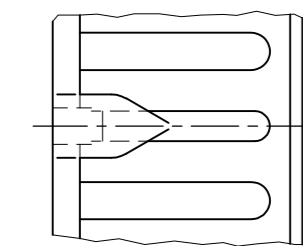
Ansicht Y  
VIEW Y



Ansicht Z  
VIEW Z



Ansicht W  
VIEW W (2x)



Bemerkungen  
NOTES

- 1 AMP-Logo und AMP-Nummer  
AMP LOGO AND AMP NUMBER
- 2 Werkstoffkennzeichnung  
MATERIAL MARKING
- 3 Werkzeugänderungsindex  
REVISION OF THE MOULD
- 4 Produktionsdatum  
PRODUCTION DATE
- 5 Nestmarkierung  
CAVITY MARKING

- 6 Passend zu Steckverbindern nach  
DIN 72585 Form A und B und  
Stiftgehäuse 2-4pol. AMP-PN 967402
- 7 Zu verwendende Kontakte und  
Einzeldichtungen siehe  
Tabellenzzeichnung:

FITS TO CONNECTORS ACC. TO  
DIN 72585 FORM A AND B AND  
PIN-HOUSING 2-4POS. AMP-PN 967402

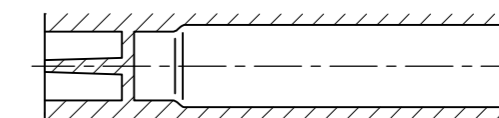
FOR SUITABLE CONTACTS AND SEALS  
SEE DRAWING:

AMP 90-52044-2

max. Drahtgröße: 2.5 mm<sup>2</sup> FLR  
MAX. WIRE THICKNESS:

Verschlossene Kammer in der  
2 bzw. 3 pol. Variante

CLOSED CAVITY IN THE  
2POS. AND 3POS. CONNECTOR



4-967325-3	1 u. 2	Kontaktbestückung USED CONTACT CAVITIES
4-967325-2	1,2 u. 3	
4-967325-1	1,2,3 u. 4	
3-967325-3	1 u. 2	
3-967325-2	1,2 u. 3	
3-967325-1	1,2,3 u. 4	
2-967325-3	1 u. 2	
2-967325-2	1,2 u. 3	
2-967325-1	1,2,3 u. 4	
1-967325-3	1 u. 2	
1-967325-2	1,2 u. 3	
1-967325-1	1,2,3 u. 4	
REV.	TE CONNECTIVITY ORDER NR.	

X	X	X	X	X	X	X	X	X	X	X	X	2
X			X					X				1
	X			X				X				1
		X			X			X				1
4 / BLUE	3 / GREEN	2 / GREY	1 / BLACK	POS.	Stück QTY	Benennung Einzelteil DESCRIPTION SINGLE PART	Werkstoff MATERIAL	Oberfläche/SURFACE Farbe/COLOUR				
Kodierung / Farbe des Buchsengehäuses CODING / COLOUR OF SOCKET HOUSING												

1	Kupplungsring COUPLING RING	PA46-GF30	schwarz BLACK
1	Buchsengehäuse m. Dichtung, 2pol. SOCKET HOUSING W. SEALING, 2POS.	PBT-GF30/SILICONE	Dichtung: orange SEALING: ORANGE
1	Buchsengehäuse m. Dichtung, 3pol. SOCKET HOUSING W. SEALING, 3POS.	PBT-GF30/SILICONE	Dichtung: orange SEALING: ORANGE
1	Buchsengehäuse m. Dichtung, 4pol. SOCKET HOUSING W. SEALING, 4POS.	PBT-GF30/SILICONE	Dichtung: orange SEALING: ORANGE

THIS DRAWING IS A CONTROLLED DOCUMENT.  
DIESE ZEICHNUNG IST EIN KONTROLLIERTES DOKUMENT.

DIMENSIONS:  
DIMENSIONEN  
mm

TOLERANCES UNLESS  
OTHERWISE SPECIFIED:  
ALLGEMEINTOLERANZEN  
ISO 9005

0 PLC ± -  
1 PLC ± 0.2  
2 PLC ± -  
3 PLC ± -  
4 PLC ± -  
ANGLES/WINKEL ± 2°  
FINISH/OBERFLAECHE/FARBE

DWN	J.Granzow	11.11.94	TE Connectivity
CHK	J.Hass	15.11.94	
APVD	-	-	NAME
PRODUCT SPEC PRODUKTSPEZ.			2.5mm SOCKET CONNECTOR, 2-4POS. 2.5mm Buchsenstecker, 2-4pol.
APPLICATION SPEC. VERARBEITUNGSSPEZ.			SIZE
WEIGHT GEWICHT	-	A2	CAGE CODE 00779
CUSTOMER DRAWING / KUNDENZEICHNUNG			DRAWING NO. ZEICHNUNGS-NR. C=967325
SCALE MASSSTAB 2:1		SHEET BLATT 1	OF VON 1
REV		D2	RESTRICTED TO NUR FUER