



Chipsmall Limited consists of a professional team with an average of over 10 year of expertise in the distribution of electronic components. Based in Hongkong, we have already established firm and mutual-benefit business relationships with customers from,Europe,America and south Asia,supplying obsolete and hard-to-find components to meet their specific needs.

With the principle of “Quality Parts,Customers Priority,Honest Operation,and Considerate Service”,our business mainly focus on the distribution of electronic components. Line cards we deal with include Microchip,ALPS,ROHM,Xilinx,Pulse,ON,Everlight and Freescale. Main products comprise IC,Modules,Potentiometer,IC Socket,Relay,Connector.Our parts cover such applications as commercial,industrial, and automotives areas.

We are looking forward to setting up business relationship with you and hope to provide you with the best service and solution. Let us make a better world for our industry!



Contact us

Tel: +86-755-8981 8866 Fax: +86-755-8427 6832

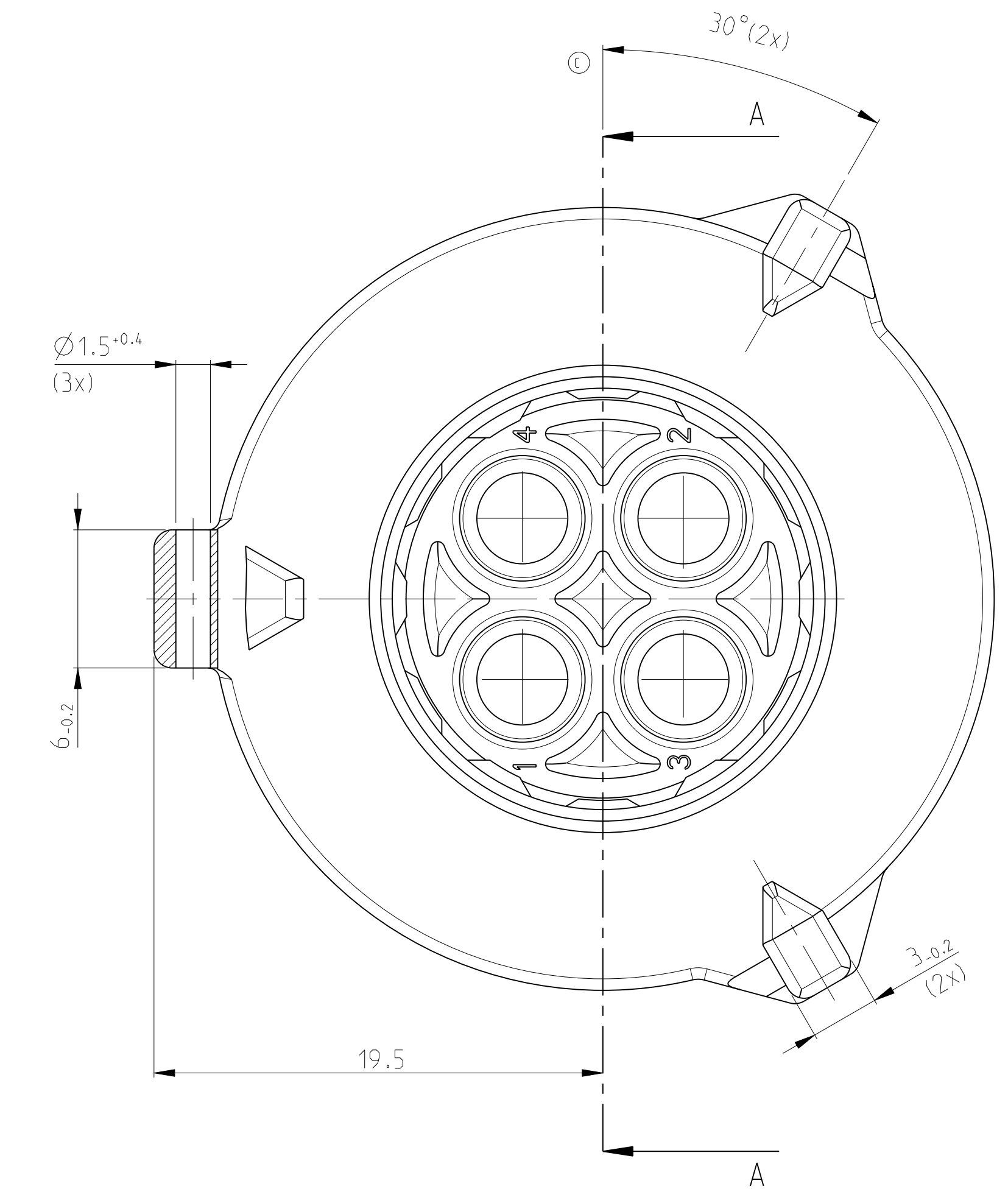
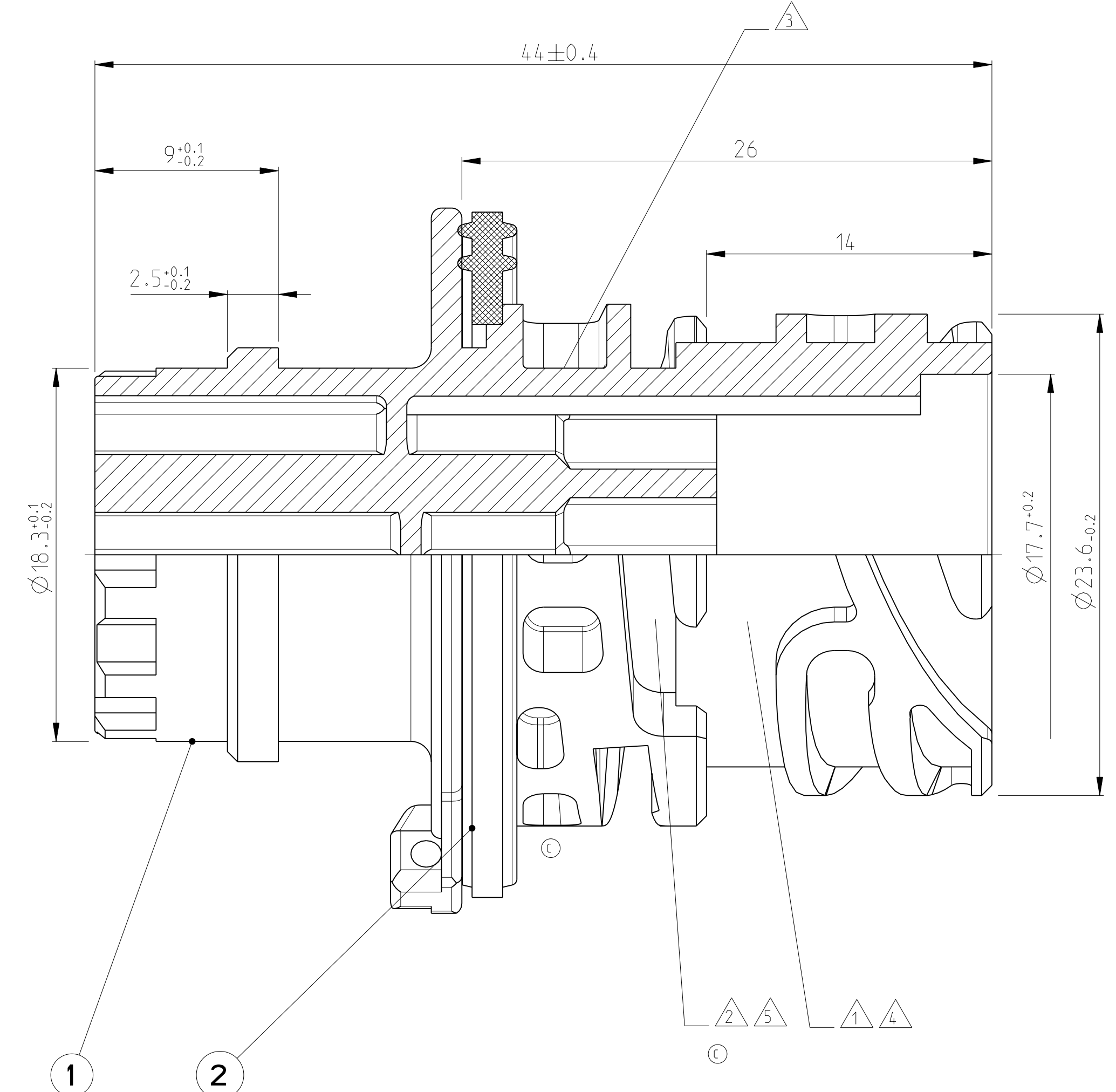
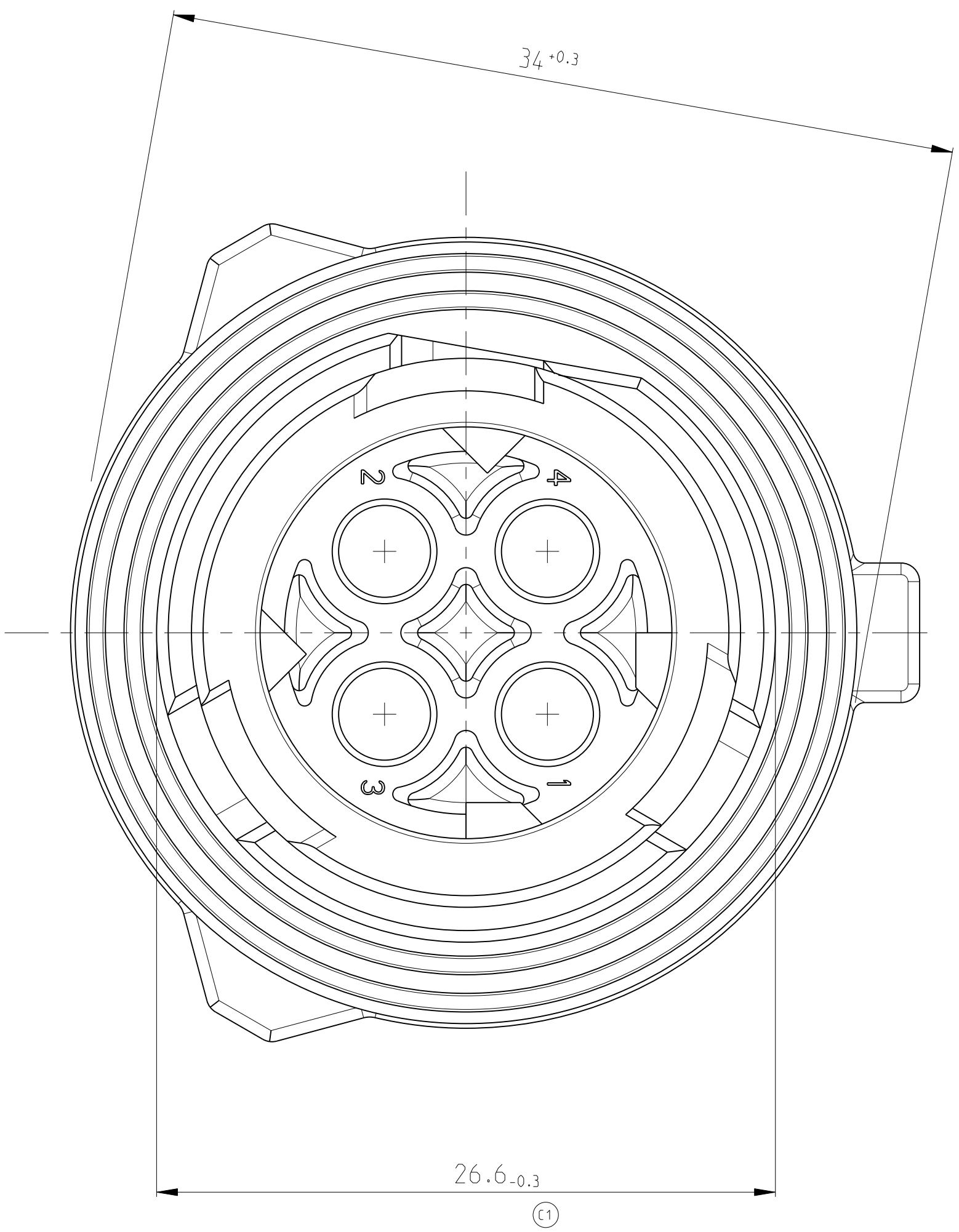
Email & Skype: info@chipsmall.com Web: www.chipsmall.com

Address: A1208, Overseas Decoration Building, #122 Zhenhua RD., Futian, Shenzhen, China



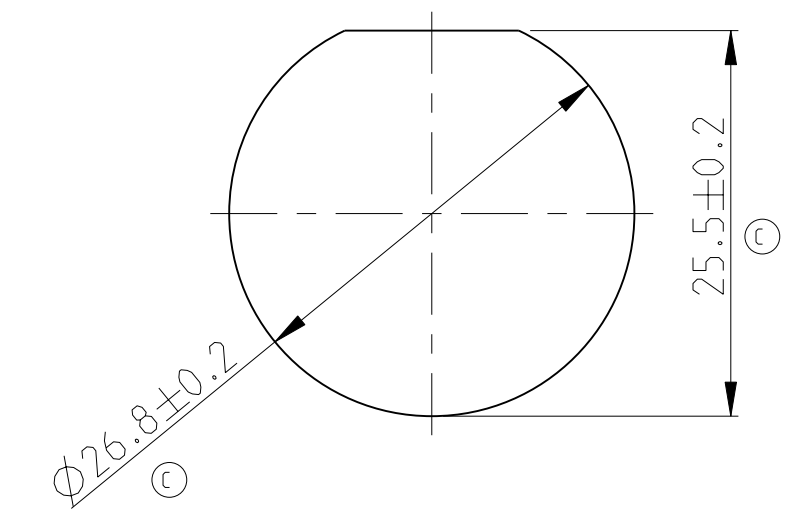
LOC	DIST	REV	DATE	DWN	APVD
A1	-	1	30MAR2011	RK	HMR
PROJECT NO.: 108-18255-0		REVISIONS		DESCRIPTION	
D4		REVISED PER ECO-11-005150		2.5MM PIN HOUSING, 2-4POS.. ASSY	

SECTION A-A
Schnitt



- NOTES:
Bemerkungen:
- ① AMP OR Tyco Electronics (TE) LOGO AND TE CONNECTIVITY SINGLE PART-NUMBER
AMP oder Tyco Electronics (TE) Logo und TE CONNECTIVITY Einzelteilnummer
 - ② MATERIAL MARKING
Werkstoffkennzeichnung
 - ③ REVISION OF THE MOULD
Werkzeugaenderungsindex
 - ④ PRODUCTION DATE
Produktionsdatum
 - ⑤ CAVITY MARKING
Nestmarkierung
 - ⑥ FOR SUITABLE CONTACTS AND SEALS SEE DRAWING:
Zu verwendende Kontakte und Einzeldichtungen siehe Tabellenzeichnung:
 - ⑦ MAX. WIRE THICKNESS: 2.5mm² FLR
max. Drahtgroesse: 2.5mm² FLR
 - ⑧ PANEL MOUNTING WITH FIXING RING
TE CONNECTIVITY-NO. 965687-1
Hinterwandmontage mit Befestigungsring
TE CONNECTIVITY-Nr. 965687-1
 - ⑨ COUPLING PART ACC. TO DIN 72585 / ISO 15170
Kupplungsseite nach DIN 72585 / ISO 15170
 - ⑩ IN THE CASE OF NEW DESIGNS, THE DIMENSIONS OF THE CUT OFF SHOULD BE PLACED NEAR THE LOWER TOLERANCE LIMIT
Bei Neukonstruktionen sollten die Masse des Blechausschnittes an die untere Toleranzgrenze gelegt werden

CUT OFF (MATERIAL THICKNESS: 2.5±0.1 MM)
Befestigungsausschnitt (Materialstaerke: 2.5±0.1 mm)



①	②	③	④	⑤	⑥	⑦	⑧	⑨	⑩	⑪	⑫	⑬	⑭	⑮	⑯	⑰	⑱	⑲	⑳
CODING 4 (BLUE) Kodierung 4 (blau)	CODING 3 (GREEN) Kodierung 3 (gruen)	CODING 2 (GREY) Kodierung 2 (grau)	CODING 1 (BLACK) Kodierung 1 (schwarz)	POS.	QTY Stueck	MATERIAL	COLOUR Farbe	DESCRIPTION Beschreibung	①	②	③	④	⑤	⑥	⑦	⑧	⑨	⑩	⑪
					2	1	SILICONE	GREEN Gruen	①	SEALING Dichtung									
X					1	1	PBT-GF20	BLUE Blau	②	4POS. PIN HOUSING 4pol. Stiftgehaeuse									
	X				1	1	PBT-GF20	GREEN Gruen	②	4POS. PIN HOUSING 4pol. Stiftgehaeuse									
		X			1	1	PBT-GF20	GREY Gruen		2POS. PIN HOUSING 2pol. Stiftgehaeuse									
			X		1	1	PBT-GF20	GREY Gruen		3POS. PIN HOUSING 3pol. Stiftgehaeuse									
				X	1	1	PBT-GF20	GREY Gruen		4POS. PIN HOUSING 4pol. Stiftgehaeuse									
				X	1	1	PBT-GF20	BLACK Schwarz		2POS. PIN HOUSING 2pol. Stiftgehaeuse									
				X	1	1	PBT-GF20	BLACK Schwarz		3POS. PIN HOUSING 3pol. Stiftgehaeuse									
				X	1	1	PBT-GF20	BLACK Schwarz		4POS. PIN HOUSING 4pol. Stiftgehaeuse									

THIS DRAWING IS A CONTROLLED DOCUMENT.

DIMENSIONS: mm

TOLERANCES UNLESS OTHERWISE SPECIFIED: ACC. TO ISO 2768

MATERIAL: SEE TABLE

FINISH: SEE TABLE

DWN: J. GRANZOW 06MART1995
CHK: J. Haess 06MART1995
APVD: Ch. Fierwein 10MAY2010

NAME: 2.5MM PIN HOUSING, 2-4POS.. ASSY
2.5mm Stiftstecker, 2-4pol.. Assy

PRODUCT SPEC: 108-18621-0
APPLICATION SPEC: 114-18255-0

WEIGHT: 15g

SIZE: A1 00779 C=967402

CAGE CODE: 114-18255-0

SCALE: 5:1 SHEET: 1 OF 1

RESTRICTED TO: []