



Chipsmall Limited consists of a professional team with an average of over 10 year of expertise in the distribution of electronic components. Based in Hongkong, we have already established firm and mutual-benefit business relationships with customers from,Europe,America and south Asia,supplying obsolete and hard-to-find components to meet their specific needs.

With the principle of “Quality Parts,Customers Priority,Honest Operation,and Considerate Service”,our business mainly focus on the distribution of electronic components. Line cards we deal with include Microchip,ALPS,ROHM,Xilinx,Pulse,ON,Everlight and Freescale. Main products comprise IC,Modules,Potentiometer,IC Socket,Relay,Connector.Our parts cover such applications as commercial,industrial, and automotives areas.

We are looking forward to setting up business relationship with you and hope to provide you with the best service and solution. Let us make a better world for our industry!



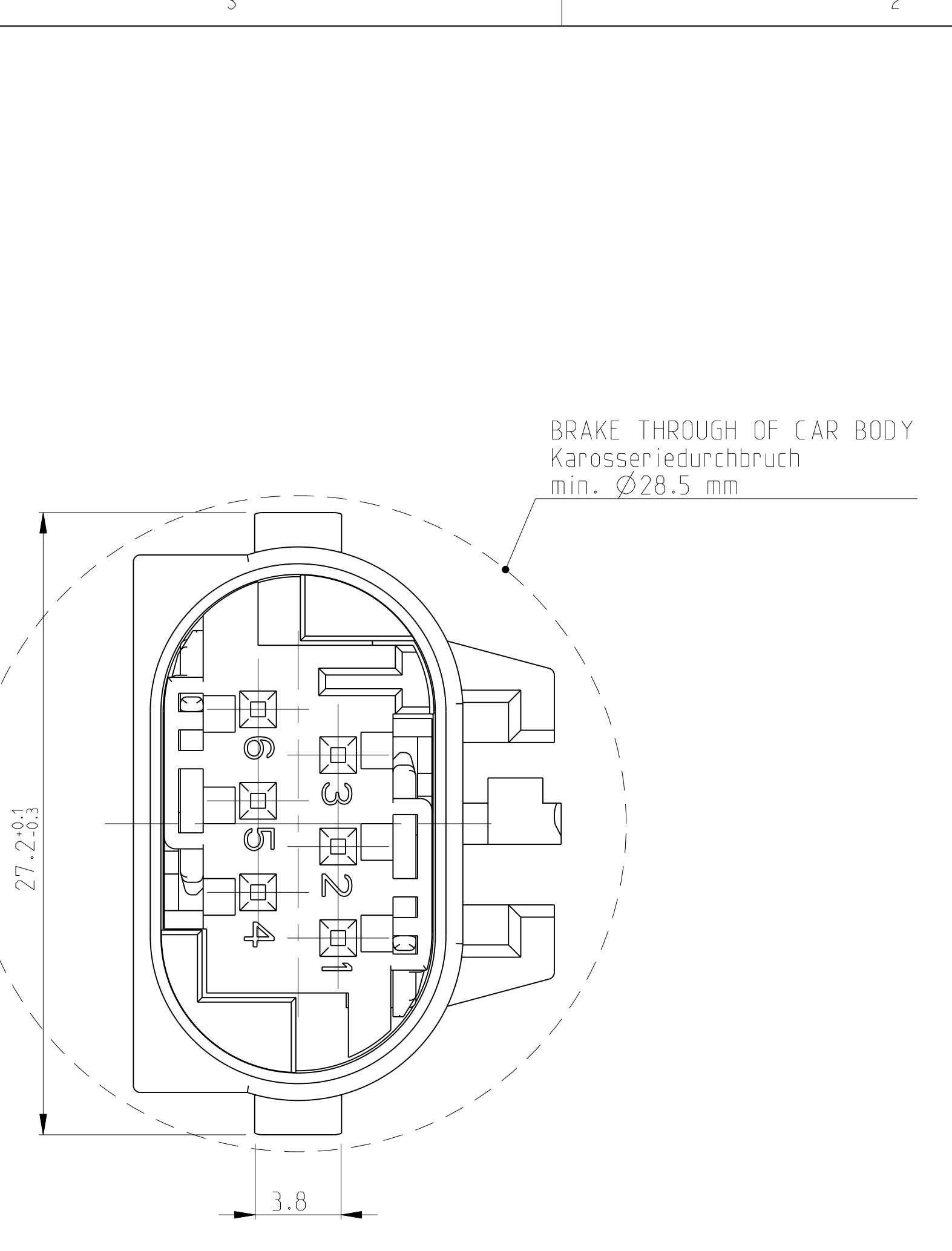
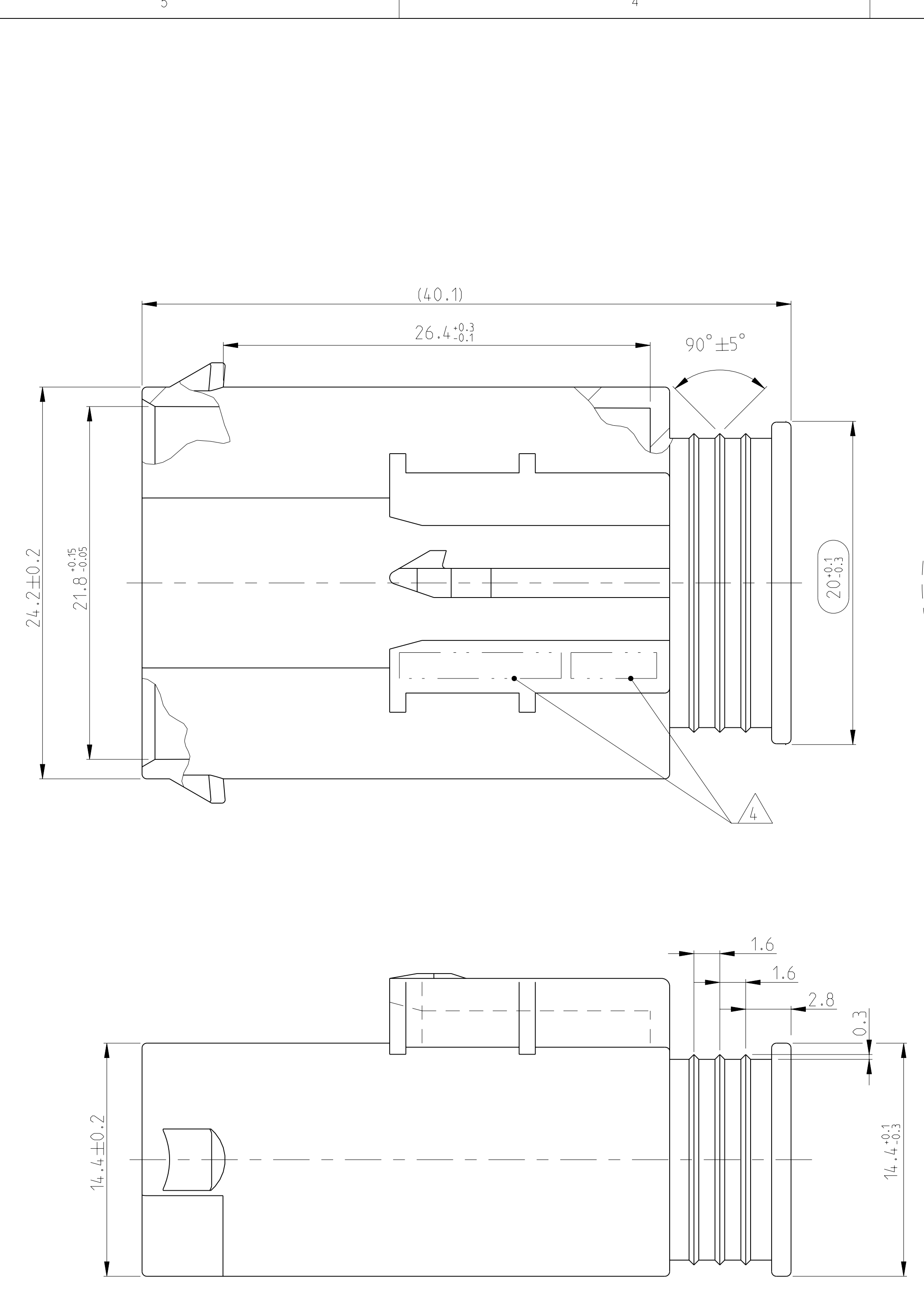
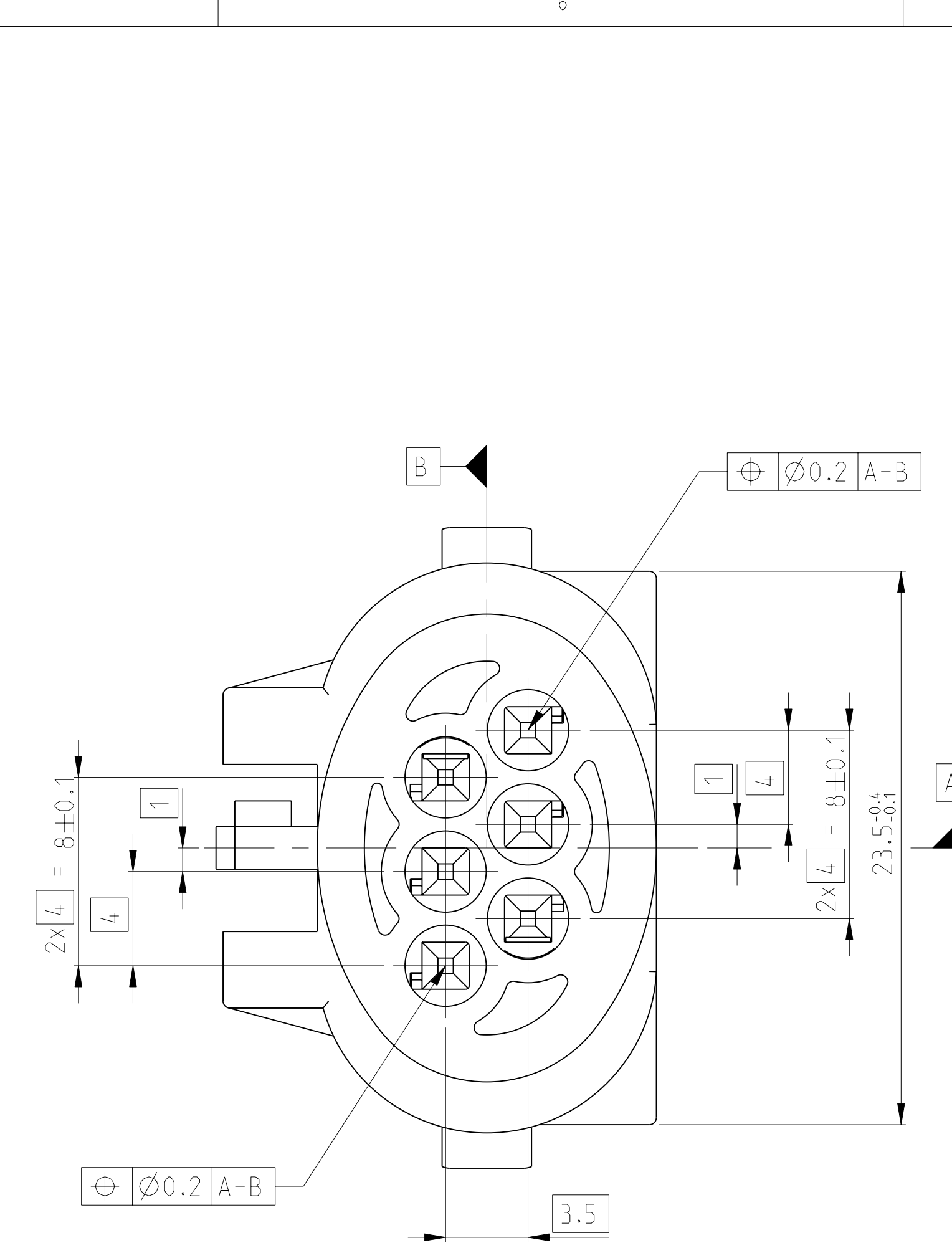
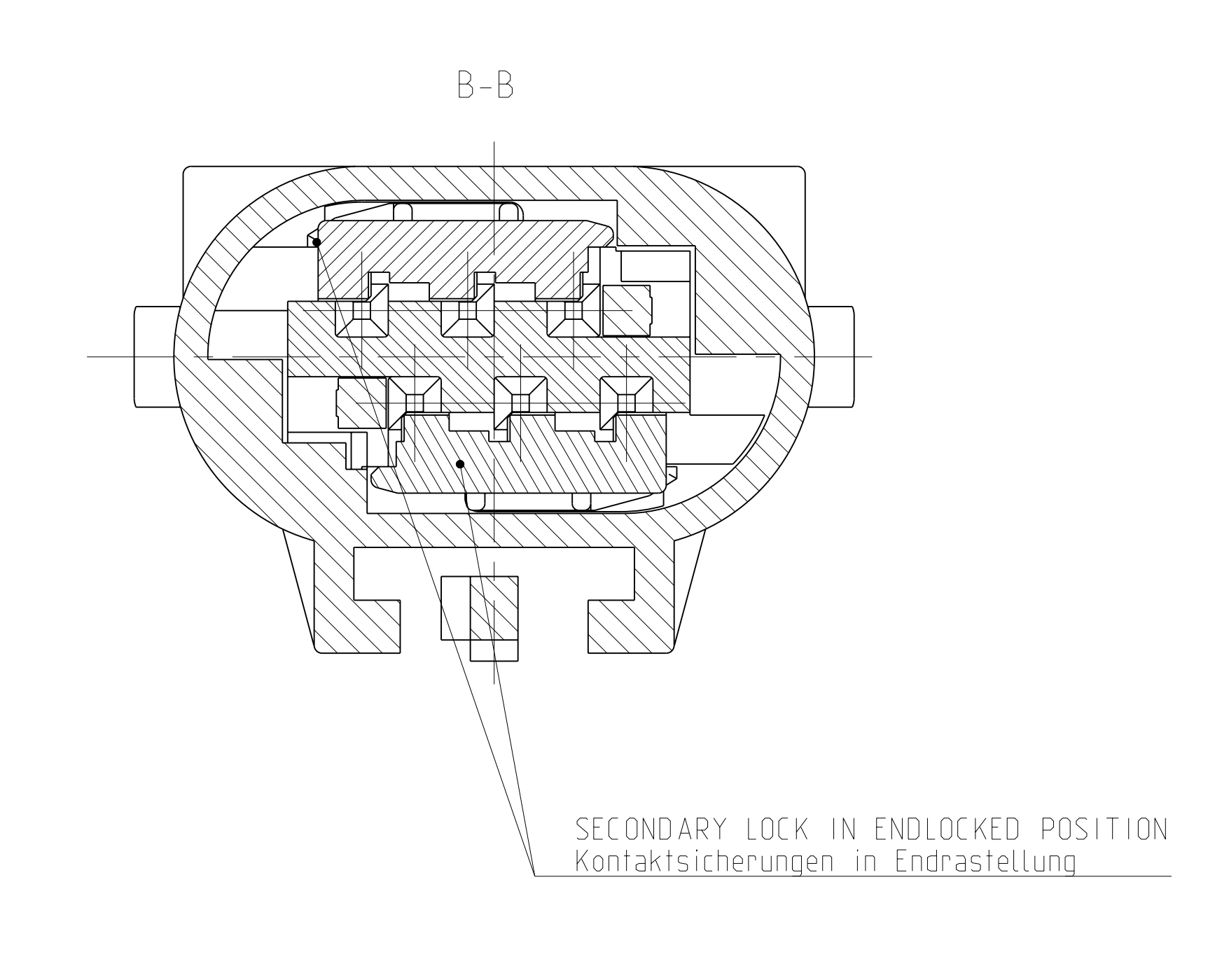
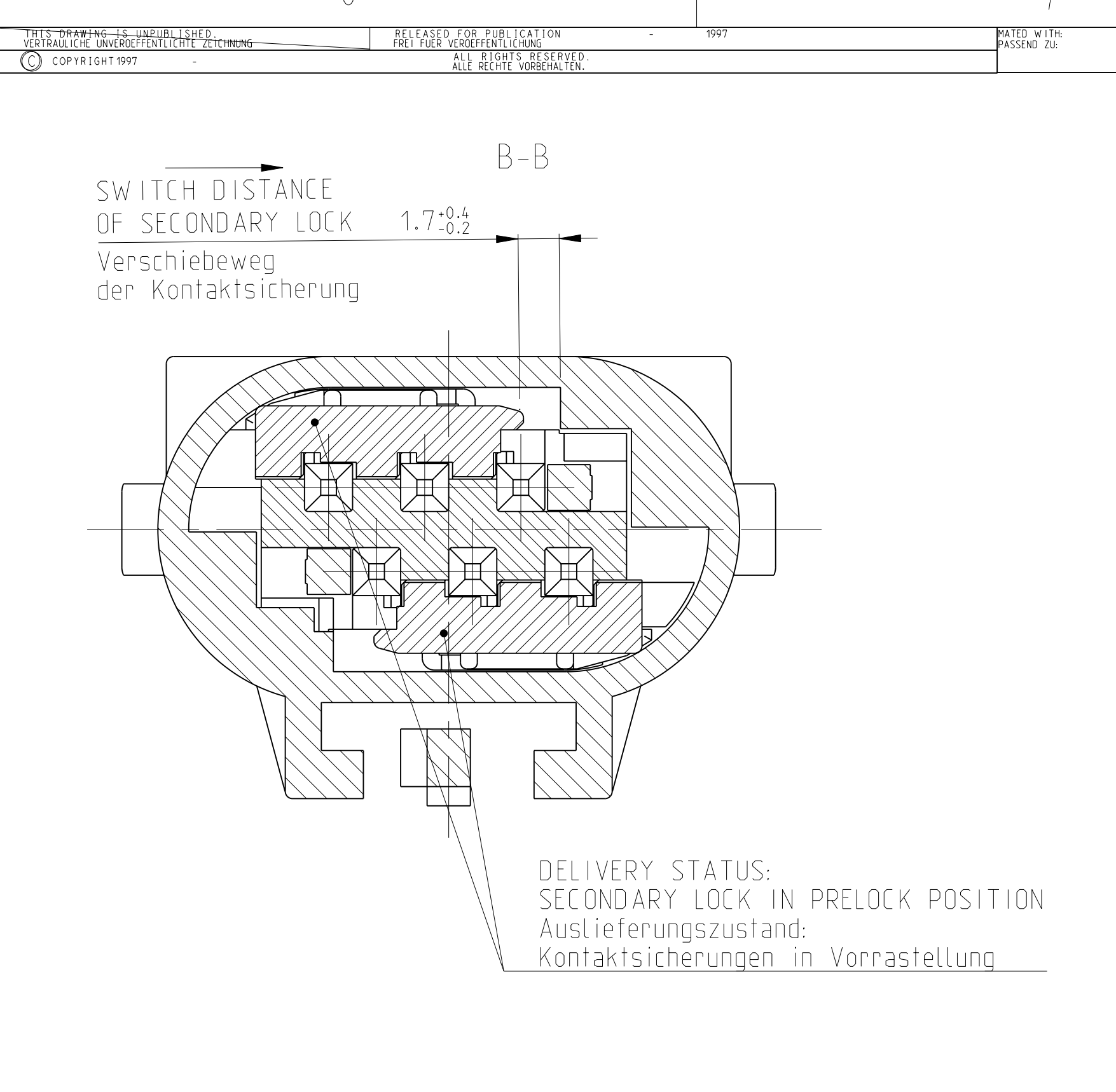
Contact us

Tel: +86-755-8981 8866 Fax: +86-755-8427 6832

Email & Skype: info@chipsmall.com Web: www.chipsmall.com

Address: A1208, Overseas Decoration Building, #122 Zhenhua RD., Futian, Shenzhen, China





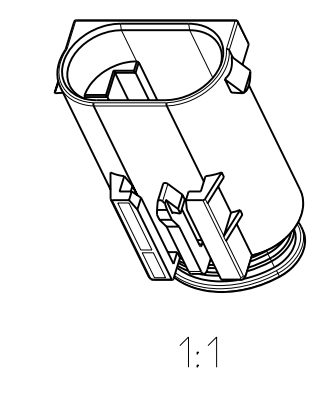
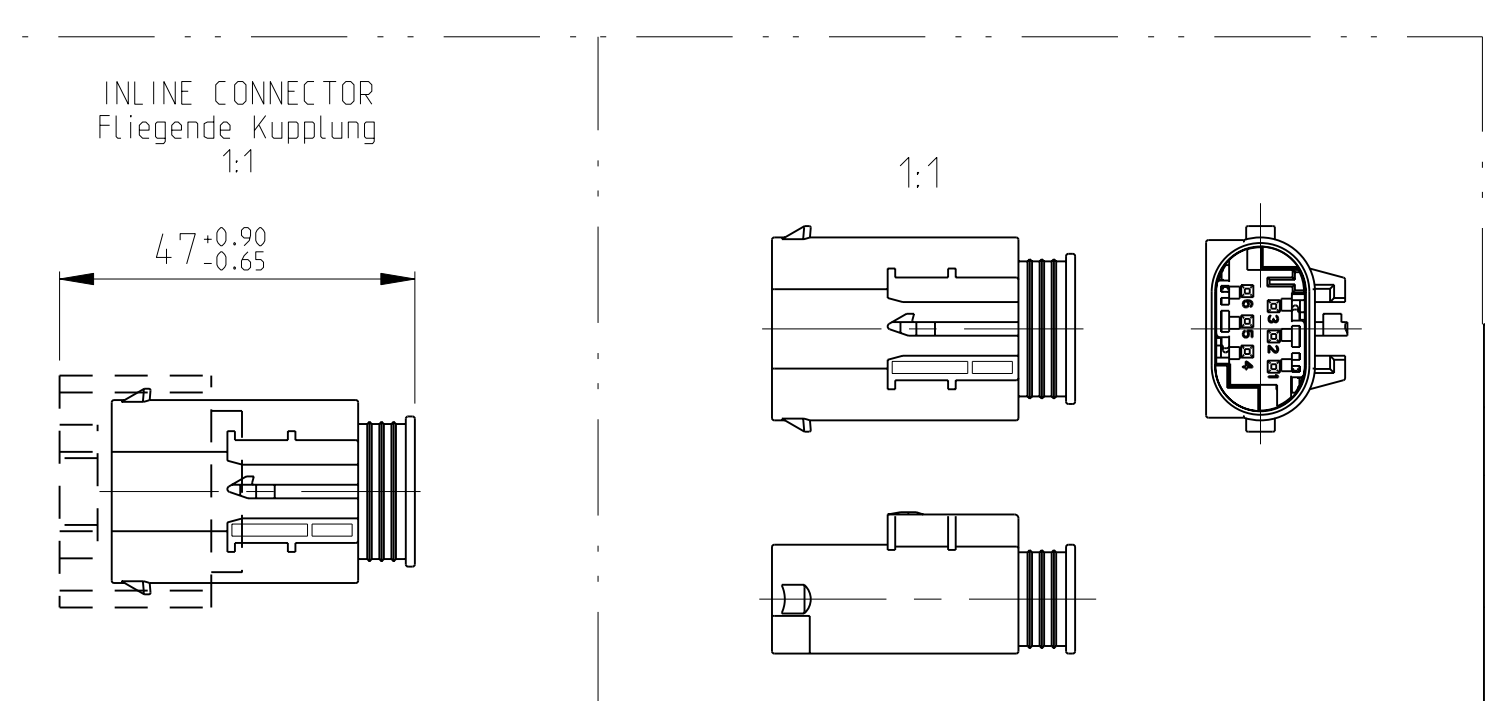
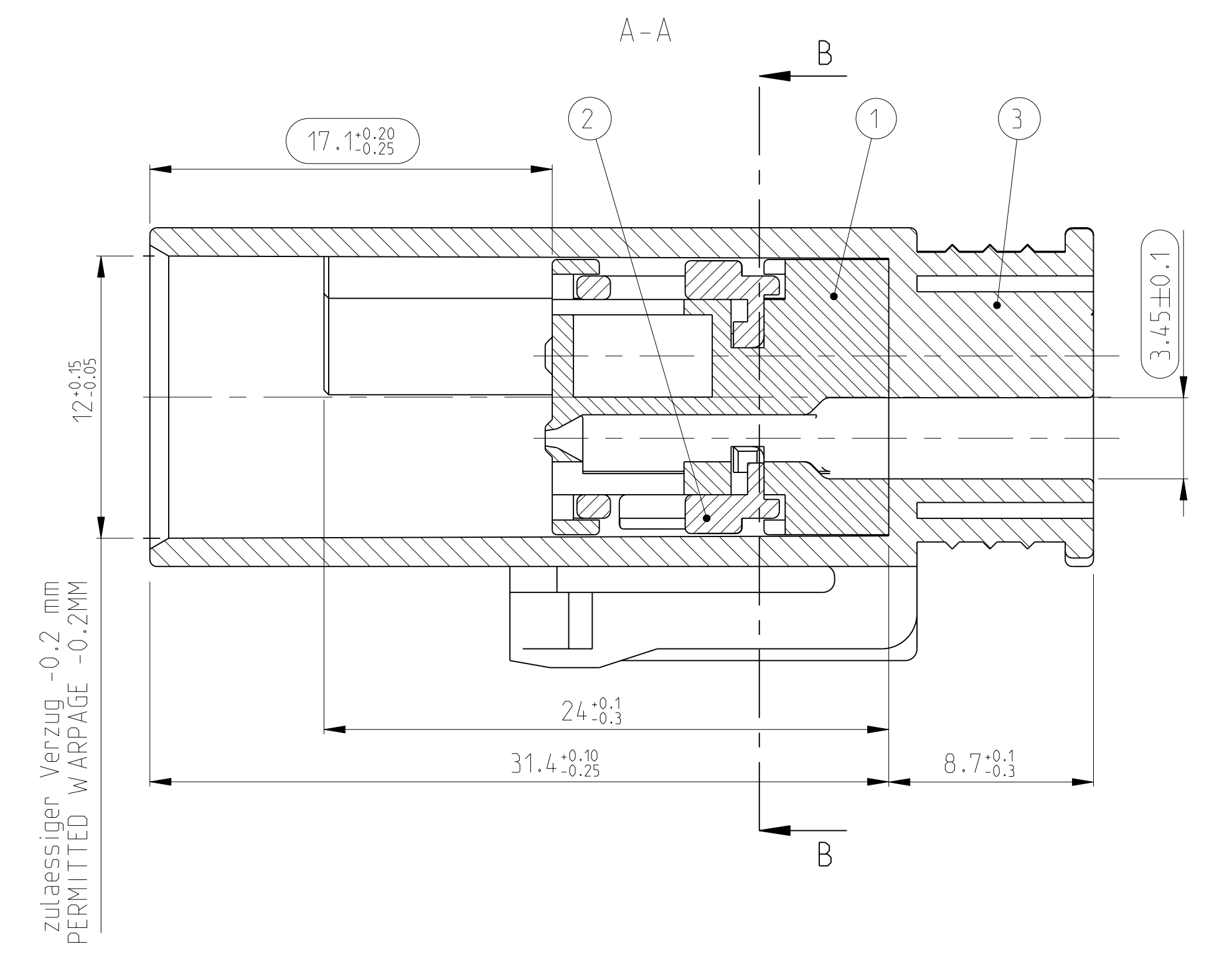
| LOC | REV | REVISIONS | DATE | BY | APPV |
|-----|-----|---------------------------|-----------|----|------|
| A1 | AS | REVISED PER ECO-11-005027 | 20MAY2011 | DK | HRK |

| COD. | Part No. | Part Name |
|--------|------------|-----------|
| COD. A | 1-967587-3 | 1.85±0.05 |
| COD. B | 2-967587-3 | 3.7±0.05 |
| COD. C | 6-967587-3 | 1.05±0.05 |
| COD. D | 1-967587-3 | 1.65±0.05 |
| COD. E | 2-967587-3 | 1.55±0.05 |
| COD. Z | 7-967587-3 | 2.2±0.05 |

| ACTIVE LOCKING ELEMENT | ACTIVE AND PASSIVE LOCKING ELEMENT | WITHOUT LOCKING ELEMENT |
|------------------------|------------------------------------|-------------------------|
| COD. A | COD. A | COD. A |

| NOTE | FEATURE | TE CONNECTIVITY - No. |
|------|--|------------------------------|
| 8 | CONTACTS Kontakte | 1394006 VERSION/ Ausfuehr. B |
| 9 | AV - INTERFACE AV - Schnittstelle | 114-18063-021 |
| 10 | USEABLE MATING PART Passendes Gegenstück | 967678 |
| 11 | PRODUCT-SPEC. Produkt-Spez. | 108-18569-1 |
| 12 | APPLICATION-SPEC. Verarbeitungs-Spez. | 114-18061 |

| Benennung | Masse [kg] | COD | Bestell-Nr. | REV | QTY | Benennung Einzelteil | Werkstoff | Oberflaeche/Farbe | ITEM |
|--|------------|-----|-------------|-----|-----|---|-----------|--------------------------------------|------|
| Aktives Verbindungselement ACTIV LOCKING DEVICE | 0.00872 | B | 7-967587-3 | A | 1 | Umgehaeuse HOUSING | PBT-GF20 | gelb/YELLOW aent./SIM. RAL 1018 | 3 |
| | | | | | 2 | Schieber (2. KoSi.) RETAINER (2ND LOCK) | PBT-GF15 | grau / GREY aehnl./SIM. RAL7037 | 2 |
| | | | | | 1 | Stiftgehaeuse PIN HOUSING | PBT-GF15 | natur / NATURE | 1 |
| | 0.00872 | B | 6-967587-3 | A | 1 | Umgehaeuse HOUSING | PBT-GF20 | schwarz / BLACK aehnl./SIM. RAL 9011 | 3 |
| | | | | | 2 | Schieber (2. KoSi.) RETAINER (2ND LOCK) | PBT-GF15 | grau / GREY aehnl./SIM. RAL7037 | 2 |
| | | | | | 1 | Stiftgehaeuse PIN HOUSING | PBT-GF15 | natur / NATURE | 1 |
| | 0.00872 | B | 2-967587-3 | A | 1 | Umgehaeuse HOUSING | PBT-GF20 | natur / NATURE | 3 |
| | | | | | 2 | Schieber (2. KoSi.) RETAINER (2ND LOCK) | PBT-GF15 | grau / GREY aehnl./SIM. RAL7037 | 1 |
| | | | | | 1 | Stiftgehaeuse PIN HOUSING | PBT-GF15 | natur / NATURE | 2 |
| | 0.00872 | A | 1-967587-3 | A | 1 | Umgehaeuse HOUSING | PBT-GF20 | schwarz / BLACK aehnl./SIM. RAL 9011 | 3 |
| | | | | | 2 | Schieber (2. KoSi.) RETAINER (2ND LOCK) | PBT-GF15 | grau / GREY aehnl./SIM. RAL7037 | 2 |
| | | | | | 1 | Stiftgehaeuse PIN HOUSING | PBT-GF15 | natur / NATURE | 1 |



NOTES:
Bemerkungen:

- ONLY THE GERMAN LANGUAGE VERSION IS AUTHORITATIVE
Massgebend ist der deutsche Text
- CODING 1- 3 AS SHOWN
Codierung 1- 3 wie gezeichnet
- FUNCTIONAL MEASUREMENTS MARKED WITH ARE DOCUMENTED IN THE EMPB. NOT MARKED MEASUREMENTS ARE MEASURED, BUT NOT DOCUMENTED IN THE EMPB. DEVIATIONS HAVE TO BE CORRECTED
Funktionsbestimmende Masse, die mit gekennzeichnet sind, werden im EMPB dokumentiert. Nicht gekennzeichnete Masse werden ebenfalls ausgemessen, aber nicht im EMPB dokumentiert. Abweichungen sind zu korrigieren
- SUPPLIER MARK
Lieferantenkennzeichnung
- MAX. WIRE SIZE RANGE 0.75 MM² FLR PERMITTED.
MAX. INSULATION DIAMETER 1.9 MM.
QUANTITY SEE WIRE HARNESS DRAWINGS.
MAX. PERMITTED AVERAGE FOR SINGLE CONTACTS SEE MDS-SPECIFICATION 108-18030-0
max. zulässiger Leitungsquerschnitt 0.75 mm².
max. Ausendurchmesser Isolierung 1.9 mm.
Die Stückzahl ist im Leitungssatz festgelegt.
Zulässige Strombelastbarkeit der einzelnen Kontakte siehe MDS-Spezifikation 108-18030-0

| FILED | DATE | BY | APPV | NAME | SCALE | SIZE | CAGE CODE | DRAWING NO. | REVISION | RESTRICTED TO |
|-------|-----------|-------------|-----------|-----------------|-------|------|-----------|-------------|----------|---------------|
| FILED | 30JUL1997 | H. Schüller | 30JUL1997 | TE Connectivity | 1:1 | A0 | 00779 | 00779 | 1 | NO |