



Chipsmall Limited consists of a professional team with an average of over 10 year of expertise in the distribution of electronic components. Based in Hongkong, we have already established firm and mutual-benefit business relationships with customers from,Europe,America and south Asia,supplying obsolete and hard-to-find components to meet their specific needs.

With the principle of "Quality Parts,Customers Priority,Honest Operation,and Considerate Service",our business mainly focus on the distribution of electronic components. Line cards we deal with include Microchip,ALPS,ROHM,Xilinx,Pulse,ON,Everlight and Freescale. Main products comprise IC,Modules,Potentiometer,IC Socket,Relay,Connector.Our parts cover such applications as commercial,industrial, and automotives areas.

We are looking forward to setting up business relationship with you and hope to provide you with the best service and solution. Let us make a better world for our industry!



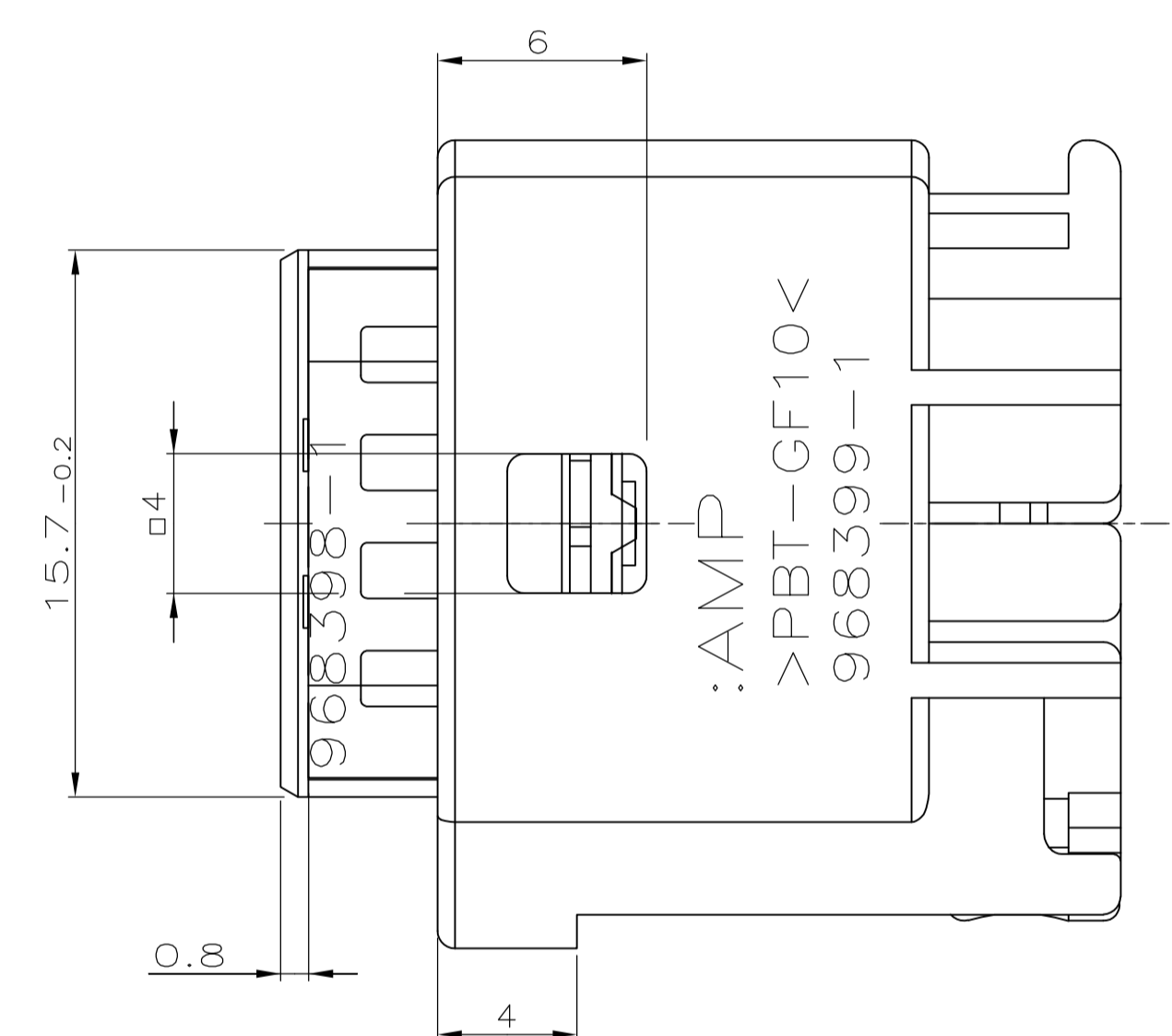
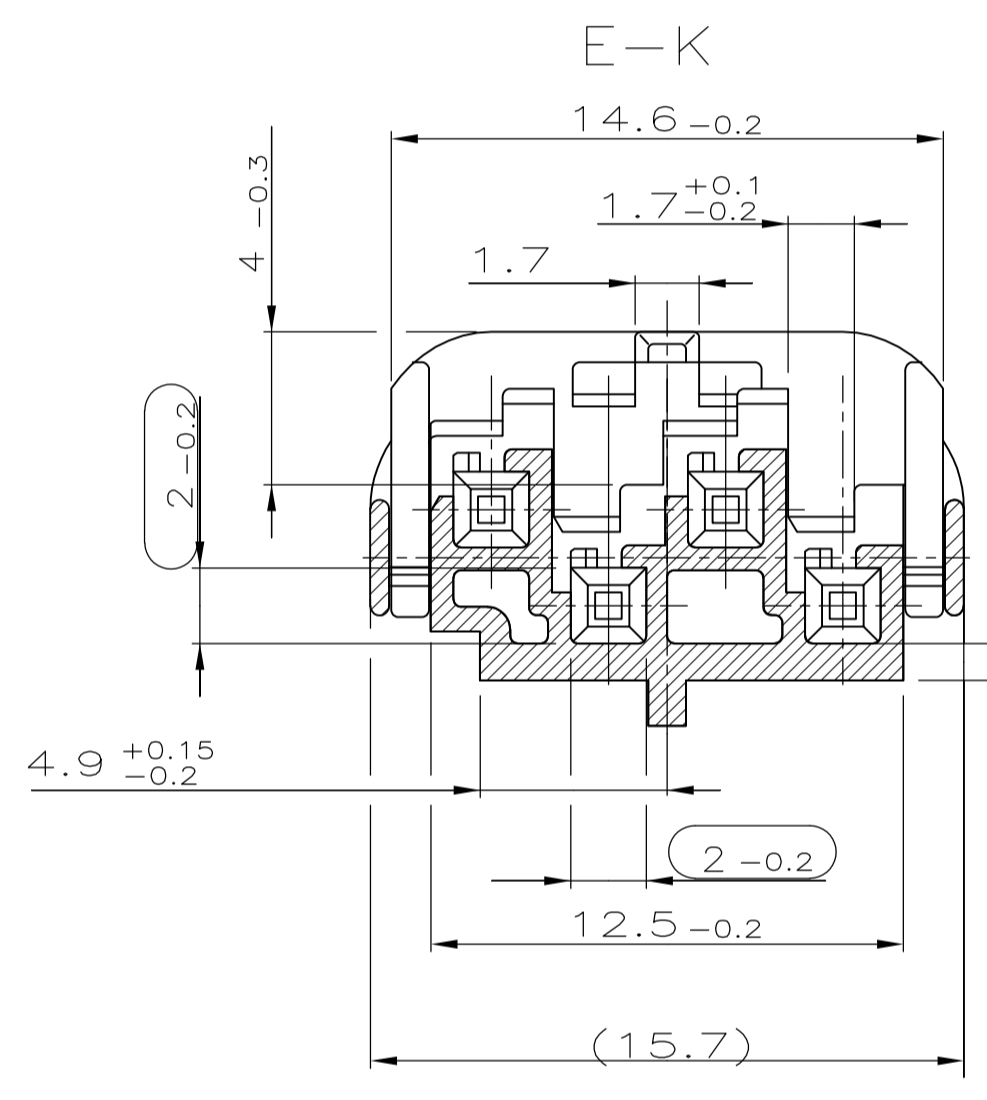
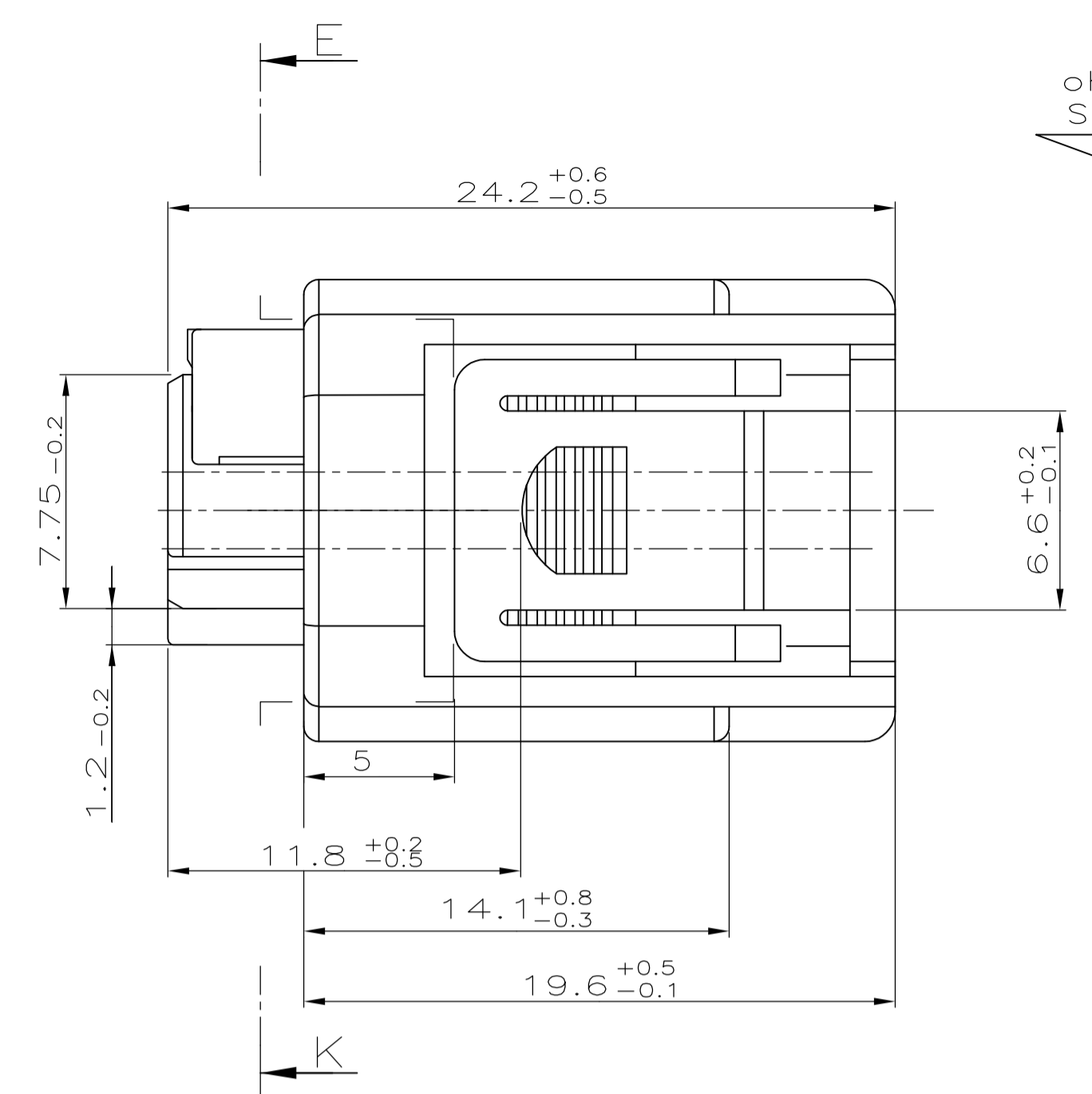
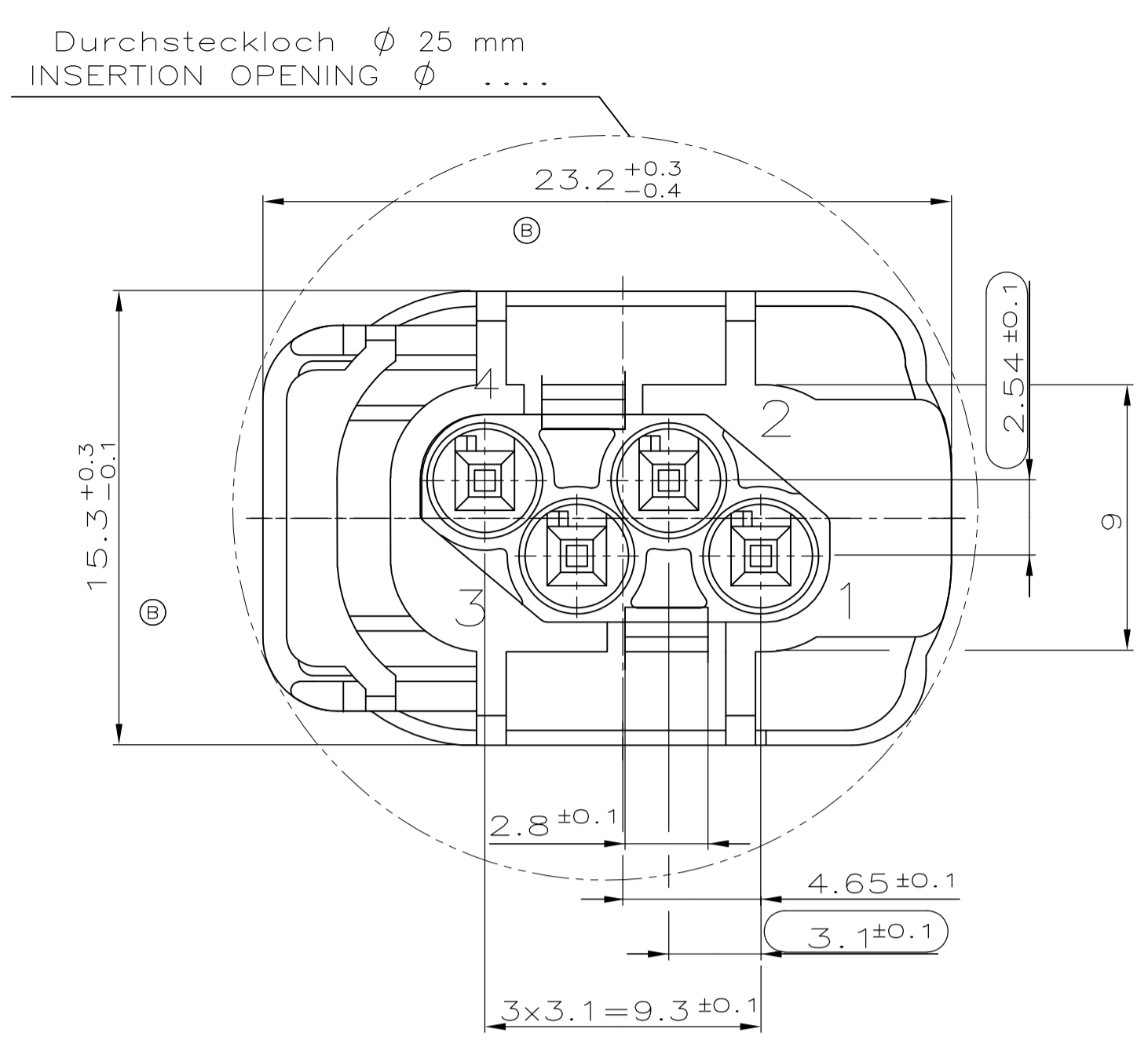
Contact us

Tel: +86-755-8981 8866 Fax: +86-755-8427 6832

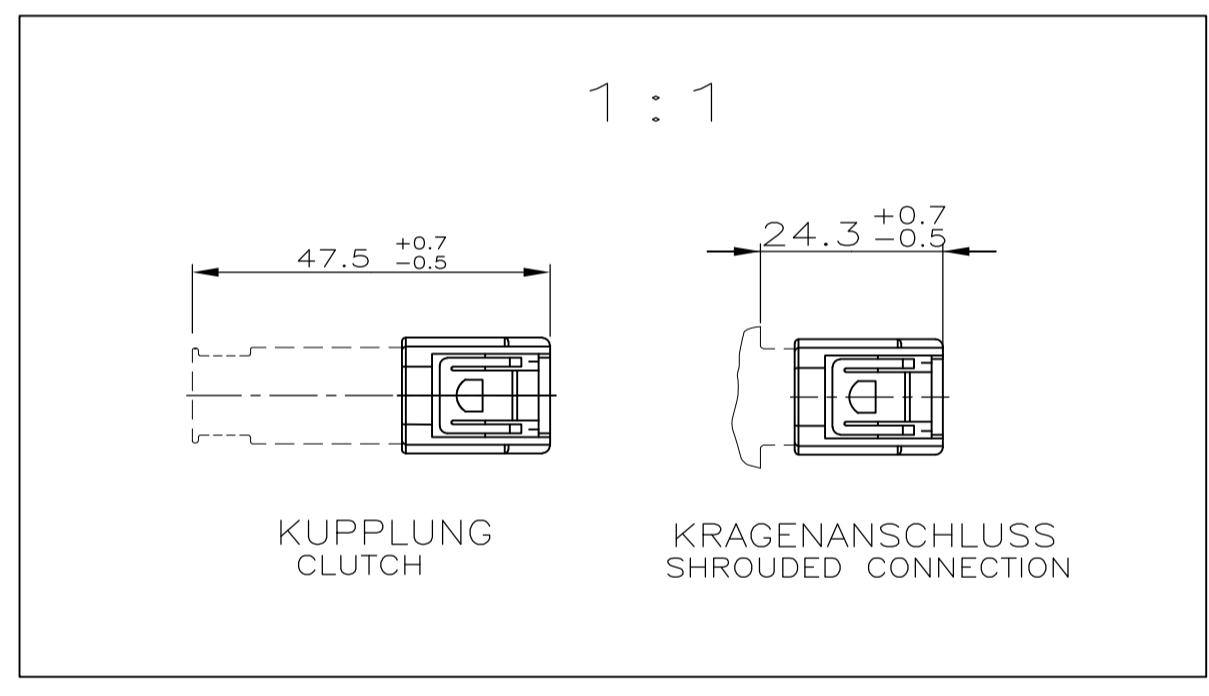
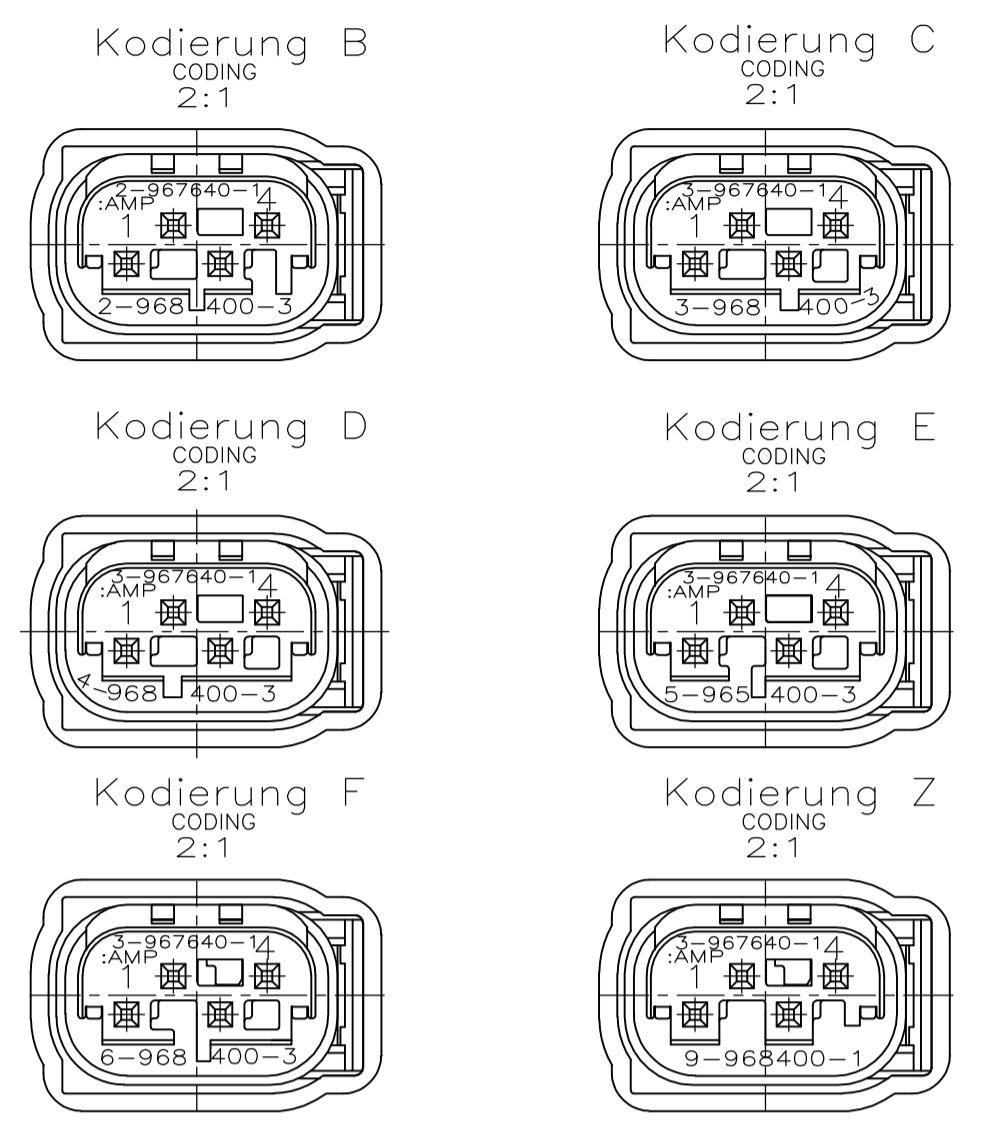
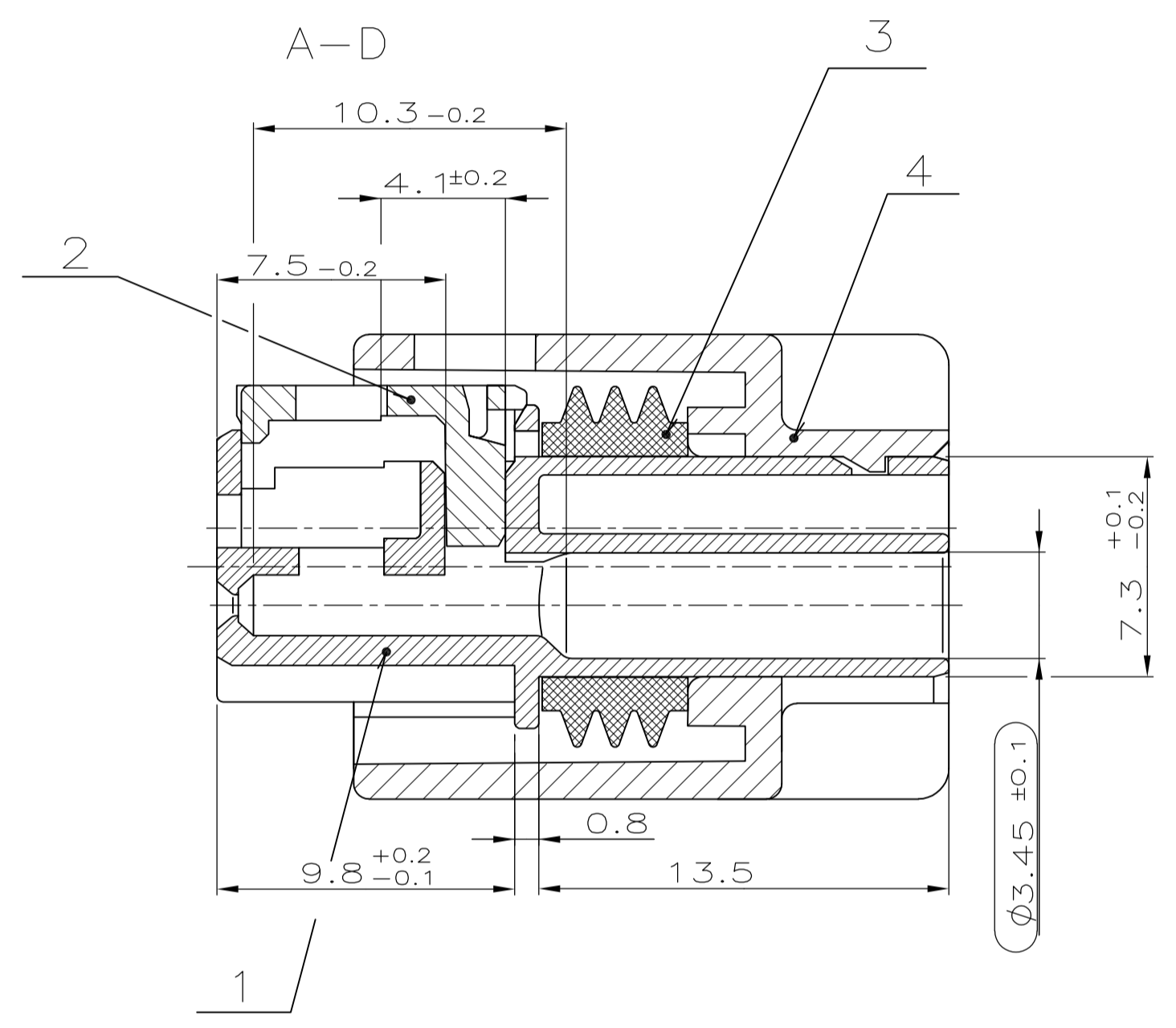
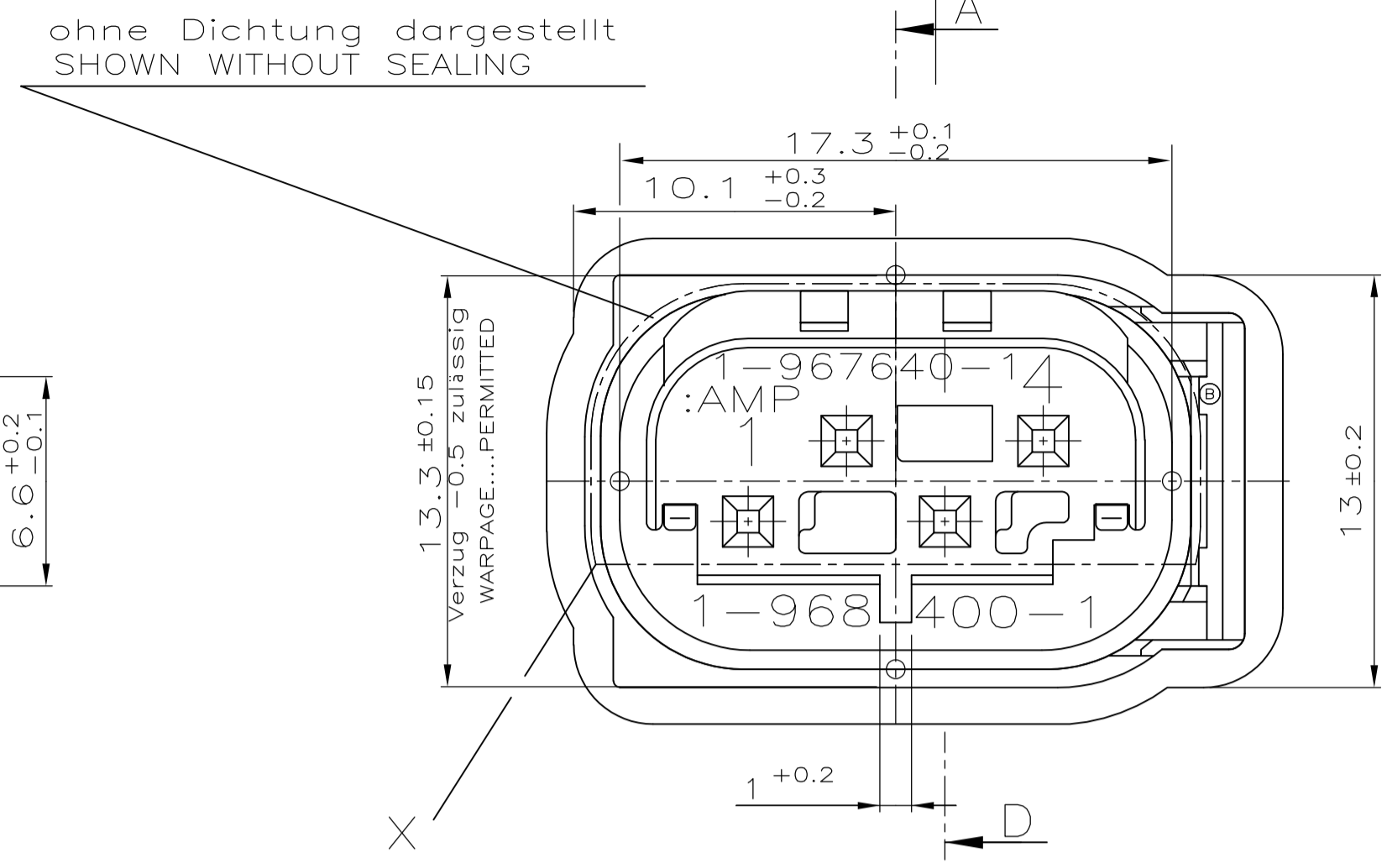
Email & Skype: info@chipsmall.com Web: www.chipsmall.com

Address: A1208, Overseas Decoration Building, #122 Zhenhua RD., Futian, Shenzhen, China

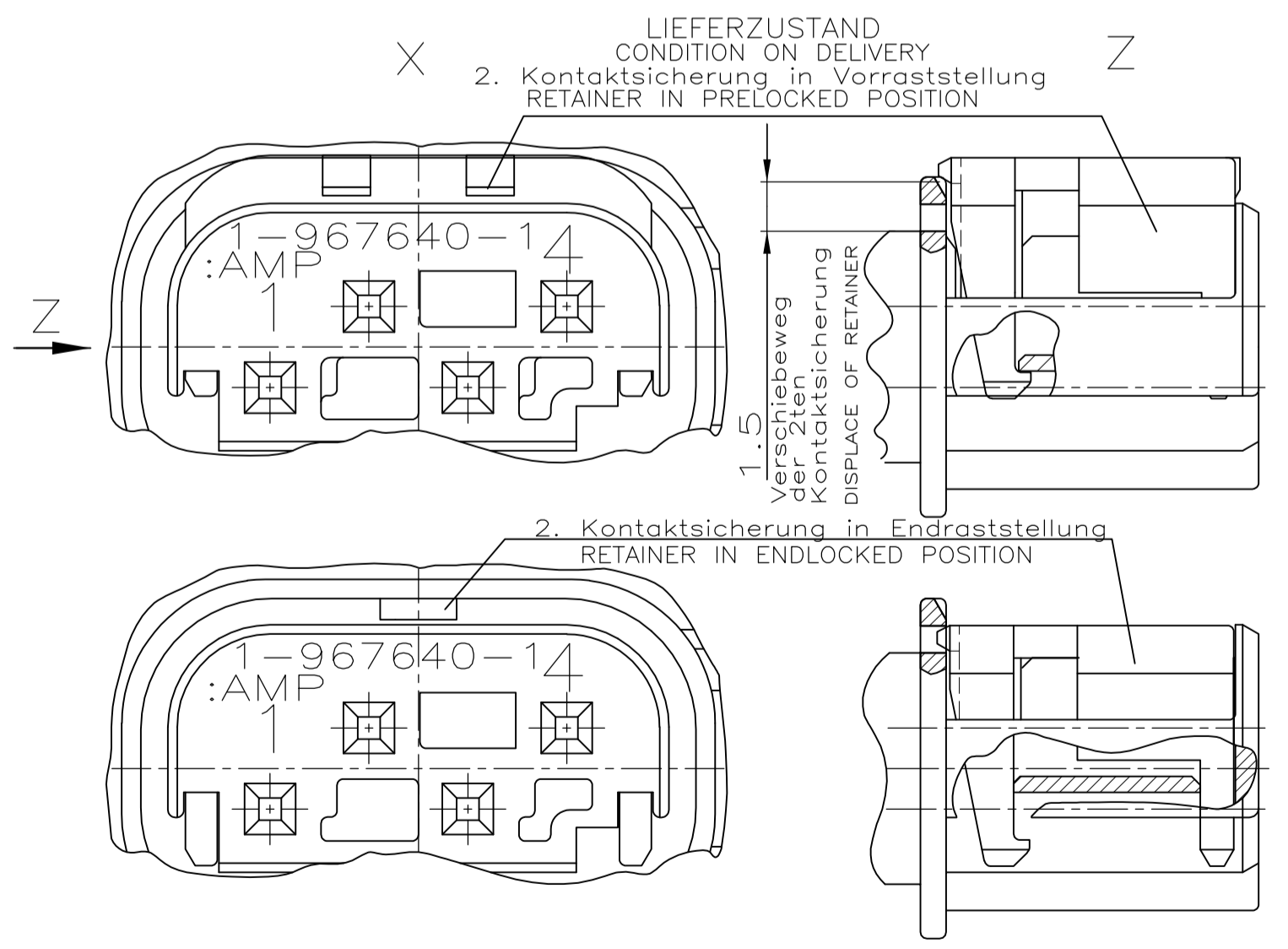




Kodierung A
CODING A



TE CONNECTIVITY BESTELL-NR. ORDER NO.	REV.	KOD. COD.	POS.	STK. QTY.	BENENNUNG DESCRIPTION	MATERIAL	OBERFLÄCHE SURFACE FARBE/COLOUR
7-967640-3	B	A	4	1	Schutzkappe/PROTECTIVE COVER	PBT-GF10	gelb/YELLOW
			3	1	Dichtung/SEALING	MVQ-30	natur/NATURAL
			2	1	2.Kont.sichrg./RETAINER	PBT-GF15	grün/GREEN
9-967640-1	B	Z	4	1	Buchsengeh./SOCKET HSG.	PBT-GF15	schwarz/BLACK
			3	1	Schutzkappe/PROTECTIVE COVER	PBT-GF10	schwarz/BLACK
			2	1	Dichtung/SEALING	MVQ-30	natur/NATURAL
-	-	F	4	1	2.Kont.sichrg./RETAINER	PBT-GF15	grün/GREEN
			3	1	Buchsengeh./SOCKET HSG.	PBT-GF15	braun/BROWN
			1	1	Schutzkappe/PROTECTIVE COVER	PBT-GF10	schwarz/BLACK
-	-	E	4	1	Dichtung/SEALING	MVQ-30	natur/NATURAL
			3	1	2.Kont.sichrg./RETAINER	PBT-GF15	grün/GREEN
			2	1	Buchsengeh./SOCKET HSG.	PBT-GF15	grün/GREEN
-	-	D	4	1	Schutzkappe/PROTECTIVE COVER	PBT-GF10	schwarz/BLACK
			3	1	Dichtung/SEALING	MVQ-30	natur/NATURAL
			2	1	2.Kont.sichrg./RETAINER	PBT-GF15	grün/GREEN
3-967640-1	B	C	4	1	Buchsengeh./SOCKET HSG.	PBT-GF15	gelb/YELLOW
			3	1	Schutzkappe/PROTECTIVE COVER	PBT-GF10	schwarz/BLACK
			2	1	Dichtung/SEALING	MVQ-30	natur/NATURAL
2-967640-1	B	B	4	1	2.Kont.sichrg./RETAINER	PBT-GF15	grün/GREEN
			3	1	Buchsengeh./SOCKET HSG.	PBT-GF15	blau/BLUE
			1	1	Schutzkappe/PROTECTIVE COVER	PBT-GF10	schwarz/BLACK
1-967640-1	B	A	4	1	Dichtung/SEALING	MVQ-30	natur/NATURAL
			3	1	Schutzkappe/PROTECTIVE COVER	PBT-GF10	schwarz/BLACK
			2	1	2.Kont.sichrg./RETAINER	PBT-GF15	grün/GREEN
-	-	-	4	1	Buchsengeh./SOCKET HSG.	PBT-GF15	schwarz/BLACK
			1	1	Schutzkappe/PROTECTIVE COVER	PBT-GF10	schwarz/BLACK



Bemerkungen:
NOTES:

- Maßgebend ist der deutsche Text
ONLY THE GERMAN-LANGUAGE VERSION SHALL BE BINDING
- Passend zu Buchsenkontakt für Einzelleiterabdichtung:
SUITABLE FOR SOCKET CONTACT FOR SINGLE WIRE SEALING:
AMP 962885 (DGB 0.2-0.5mm²), 965906 (DGB 0.75mm²)
- Passend zu Kragenanschluss siehe Zeichnung:
SUITABLE FOR SHROUDED CONNECTION SEE DRAWING:
AMP 114-18063-124
auch passend zu AMP 114-18063-14
ALSO COMPATIBLE TO AMP 114-18063-14
- Passend für Leitungsquerschnitt:
bis 0.75 mm²
SUITABLE FOR WIRE SIZE RANGE:
TO 0.75 mm²

THIS DRAWING IS A CONTROLLED DOCUMENT.		DIN M.Trajkov 08-AUG-96	TE Connectivity	
DIMENSIONS: mm		GW M.Schwäger 31-AUG-98	NAME	
TOLERANCES UNLESS OTHERWISE SPECIFIED: ALUMINIUMTOLERANZEN		APVD M.Schwäger	PRODUCT SPEC	
0 PLC ±		APPLICATION SPEC		
1 PLC ±		114-18061		
2 PLC ±		SIZE	CAGE CODE	DRAWING NO
3 PLC ±		114-18061	A1	00779
4 PLC ±		WEIGHT	3.1	967640
ANGLES ± °		CUSTOMER DRAWING		
MATERIAL SEE TABLE		SCALE 5:1 SHEET 1 OF 1 REV B7		