



Chipsmall Limited consists of a professional team with an average of over 10 year of expertise in the distribution of electronic components. Based in Hongkong, we have already established firm and mutual-benefit business relationships with customers from,Europe,America and south Asia,supplying obsolete and hard-to-find components to meet their specific needs.

With the principle of “Quality Parts,Customers Priority,Honest Operation,and Considerate Service”,our business mainly focus on the distribution of electronic components. Line cards we deal with include Microchip,ALPS,ROHM,Xilinx,Pulse,ON,Everlight and Freescale. Main products comprise IC,Modules,Potentiometer,IC Socket,Relay,Connector.Our parts cover such applications as commercial,industrial, and automotives areas.

We are looking forward to setting up business relationship with you and hope to provide you with the best service and solution. Let us make a better world for our industry!



## Contact us

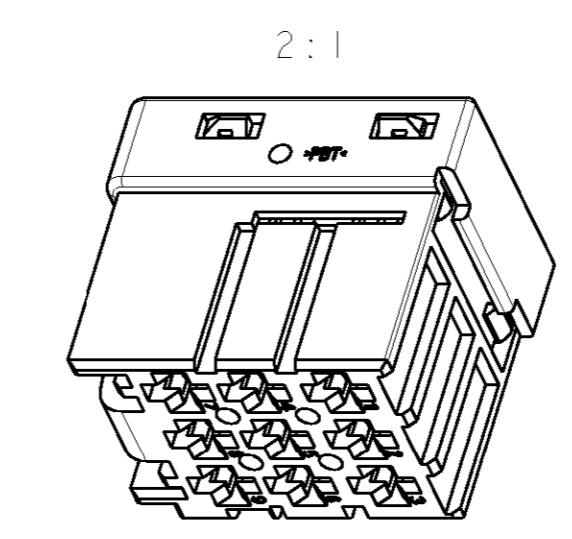
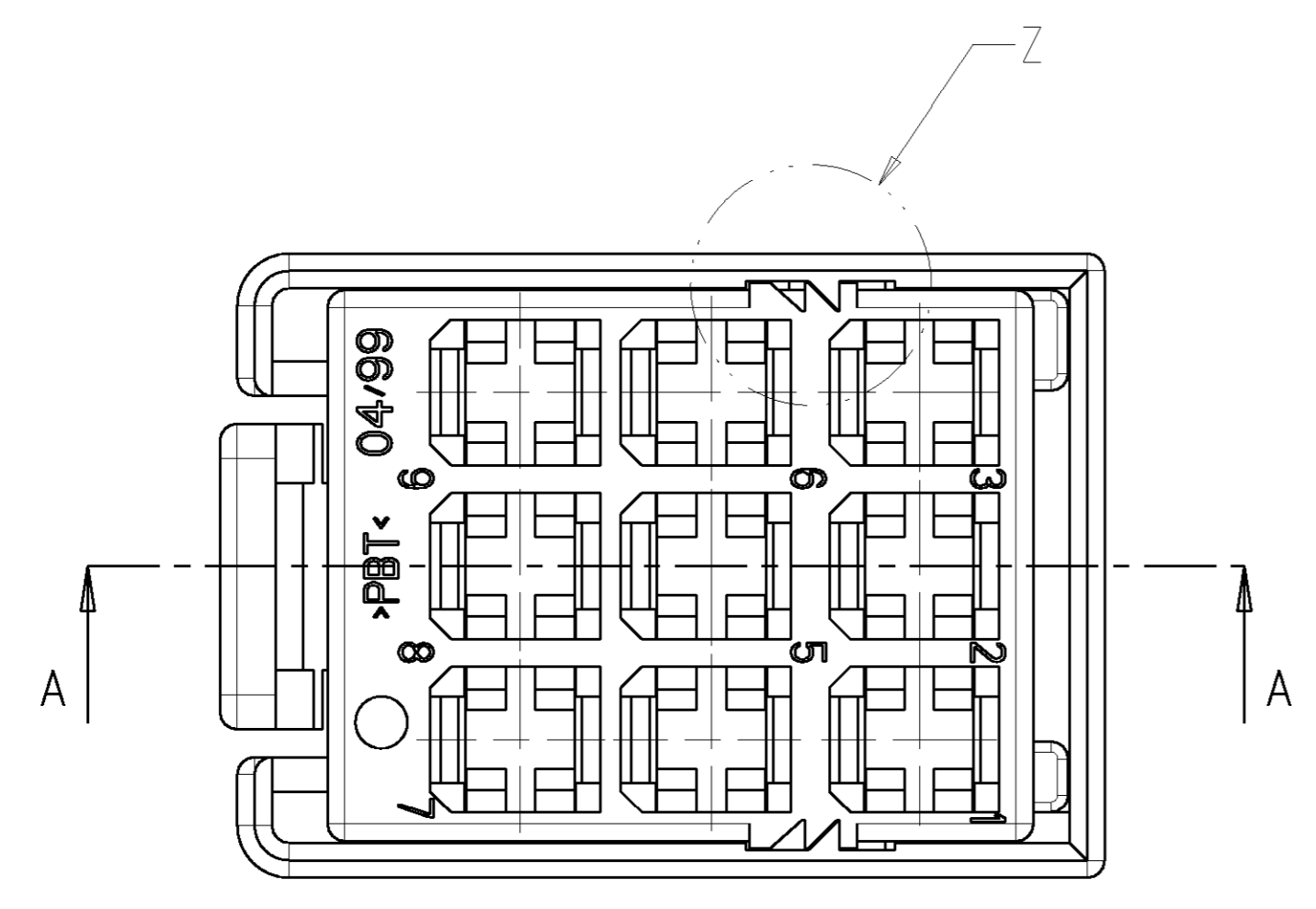
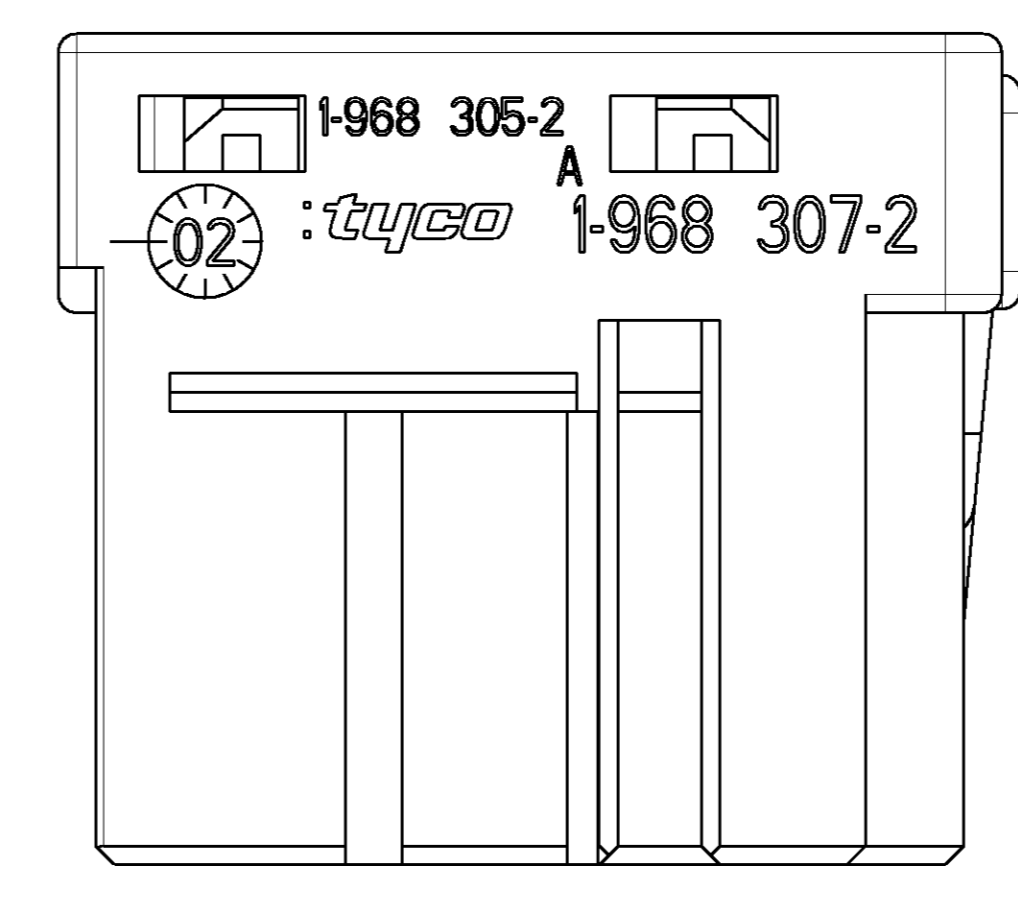
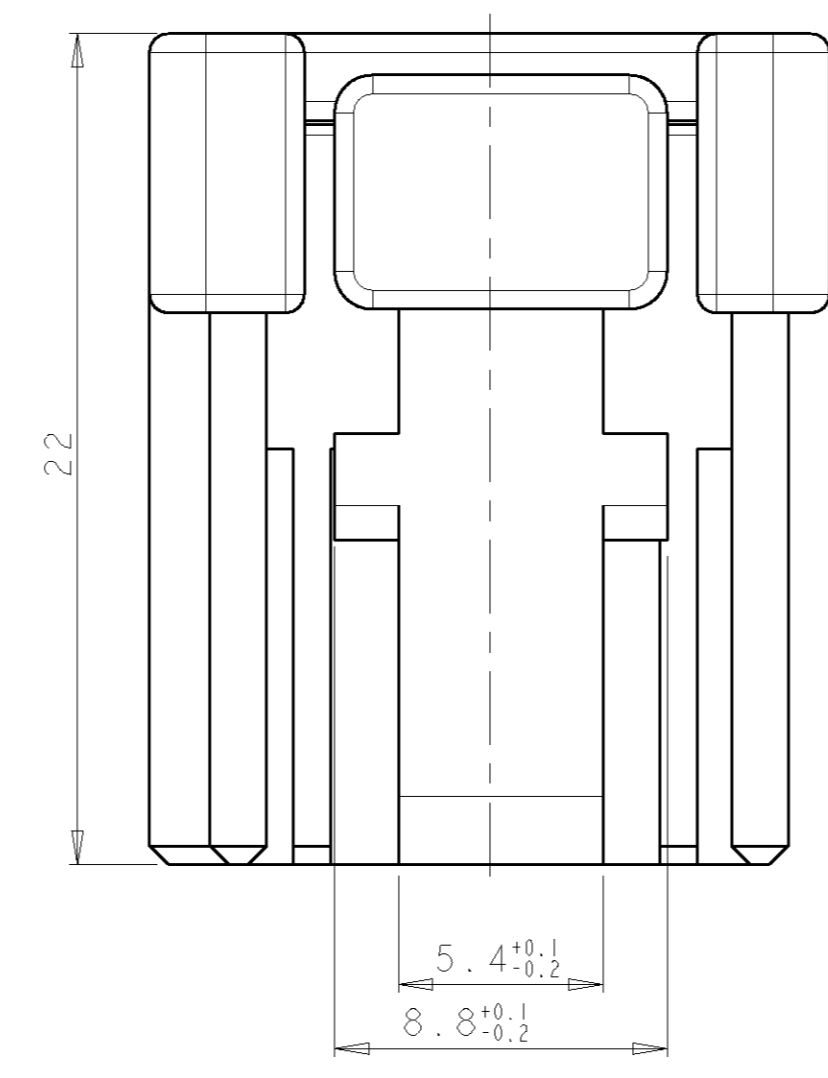
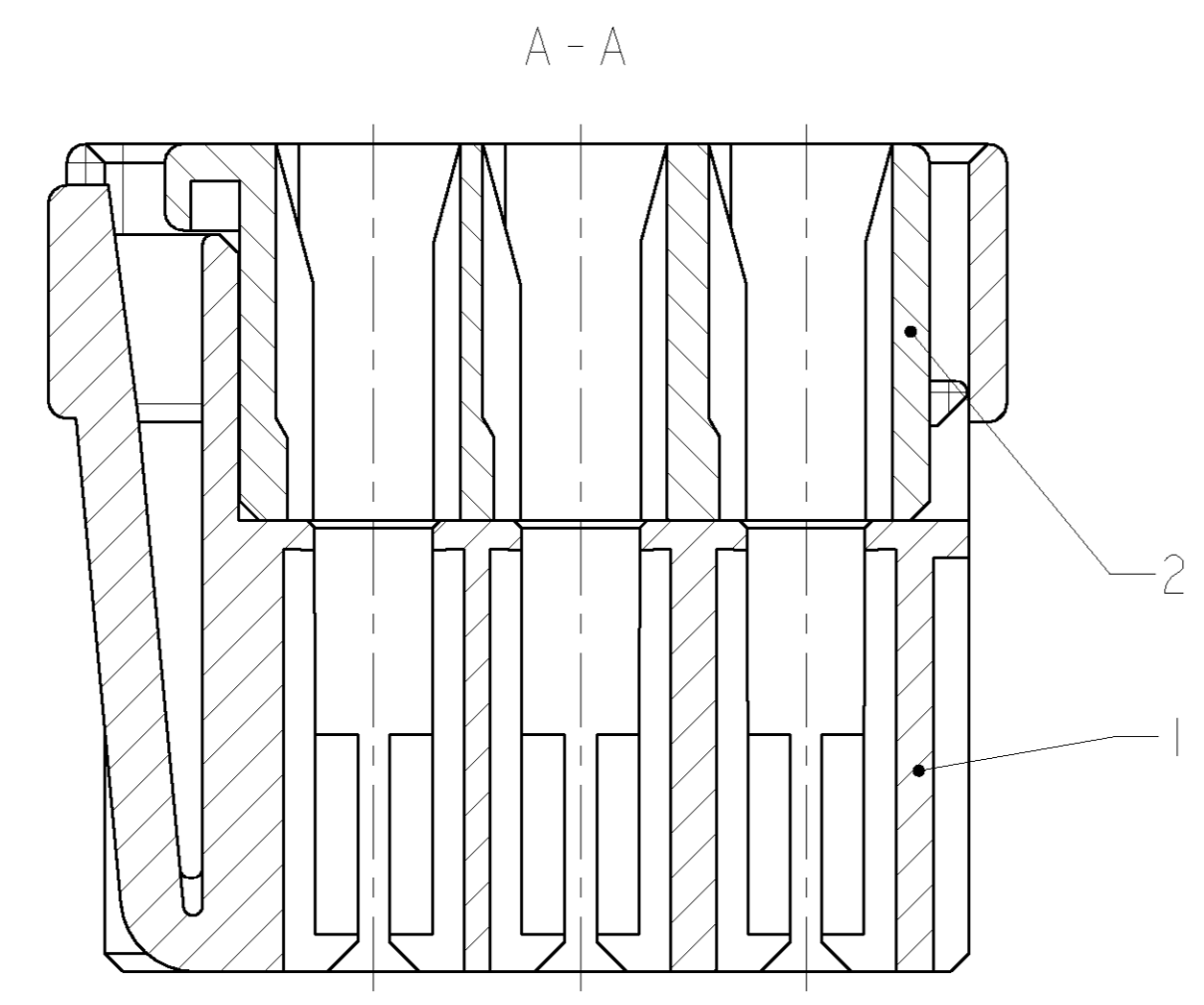
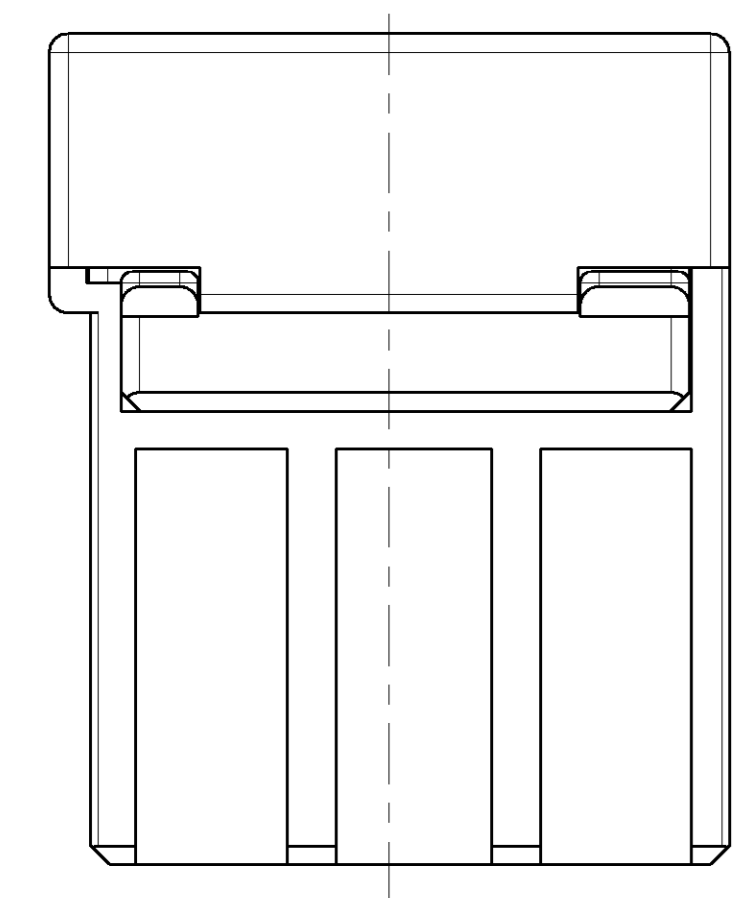
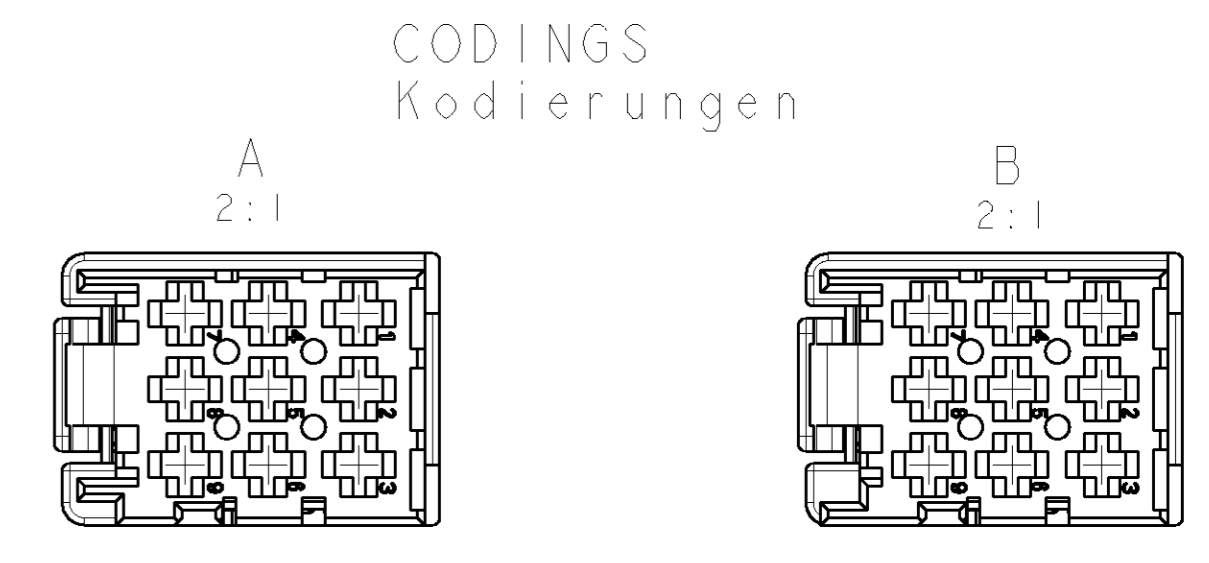
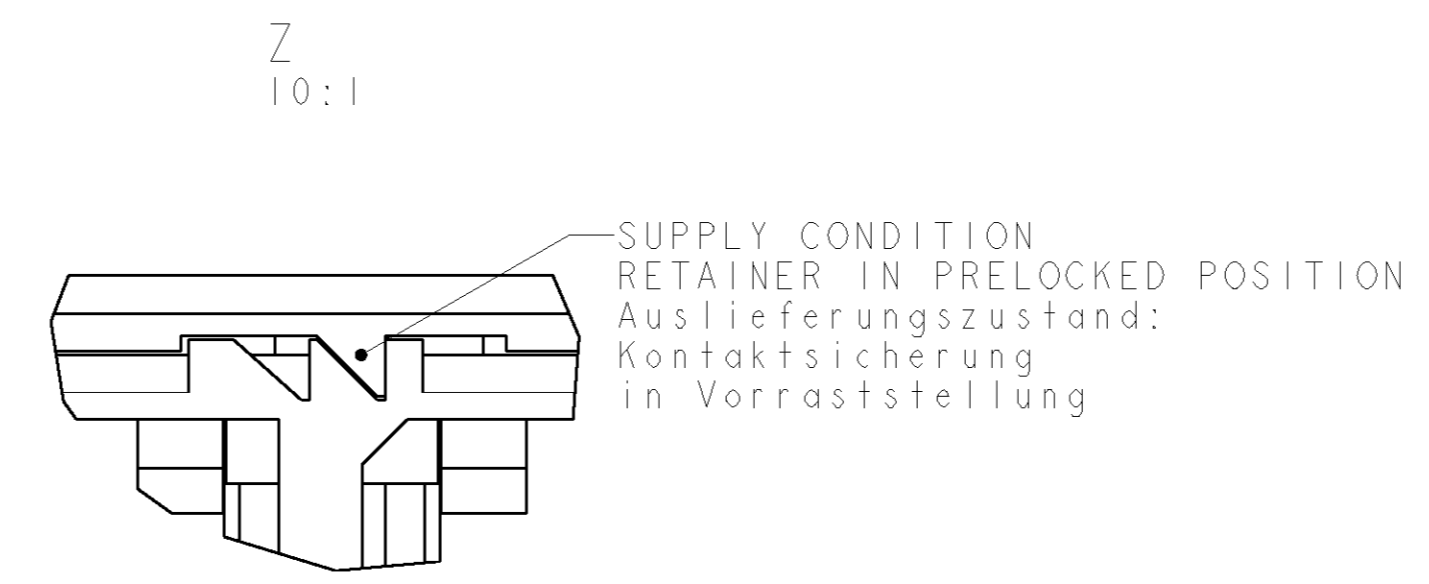
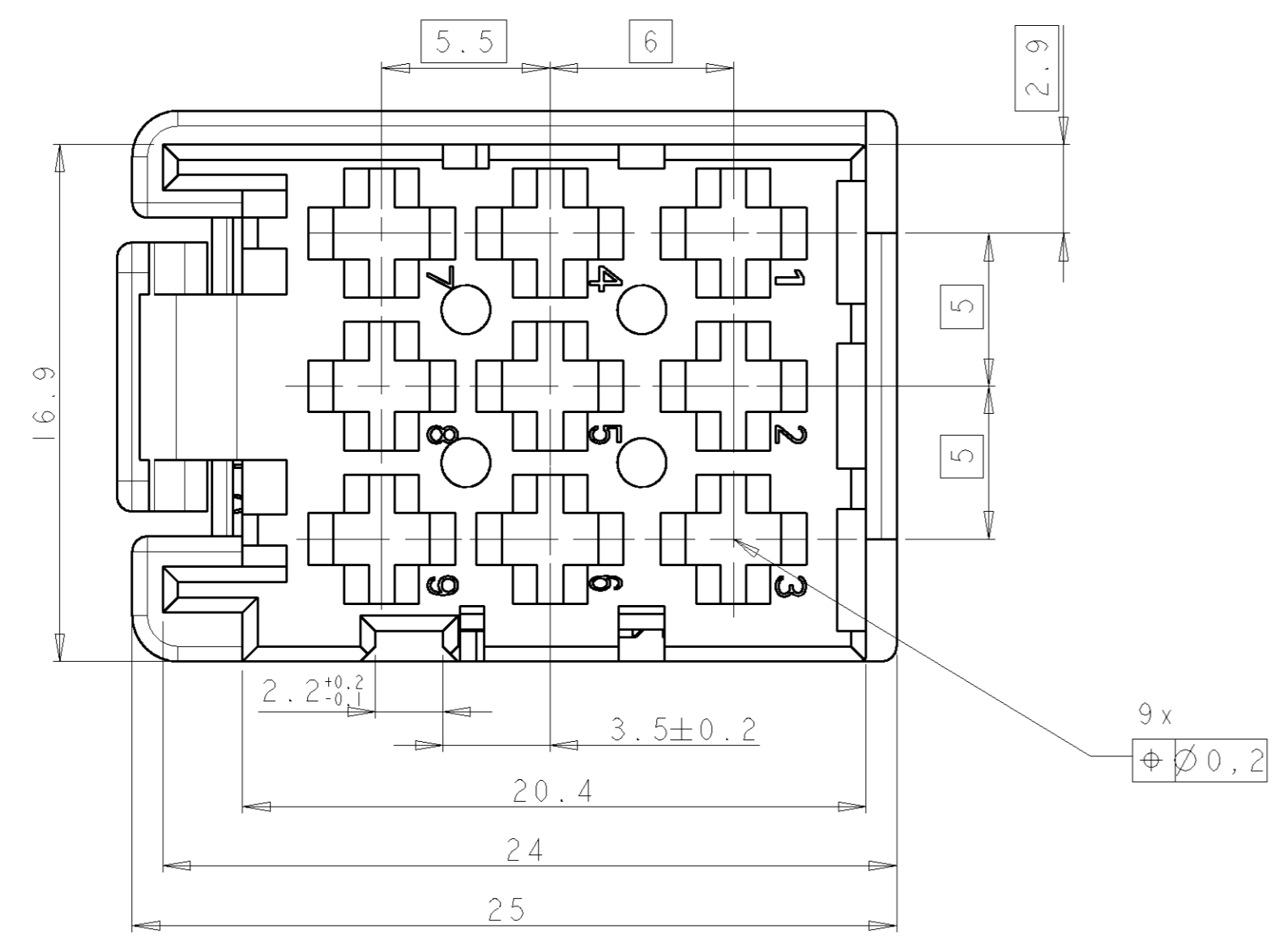
Tel: +86-755-8981 8866 Fax: +86-755-8427 6832

Email & Skype: info@chipsmall.com Web: www.chipsmall.com

Address: A1208, Overseas Decoration Building, #122 Zhenhua RD., Futian, Shenzhen, China



LOC	DIST	REV	DATE	DWN	APVD
A1	-	C	08MAR2000	SBL	-
PROJEKT NR.:		C1	30MAY2000	SBL	-
		C2	09SEP2002	SBL	-
		C3	28OCT2002	SBL	-
		C4	20DEC2002	SBL	-



- REMARKS  
Bemerkungen
- ONLY THE GERMAN-LANGUAGE VERSION SHALL BE BINDING. Massgebend ist der deutsche Text.
  - CAVITY ACCORDING TO JPT-SOCKET CONTACT. SEE TYCO DRAWING NO 1355046. WIRE SIZE RANGE MAX. 2.5MM<sup>2</sup> FLR. Kammer passend f. JPT-Buchsenkontakt siehe TYCO-Tab.-Zeichnung 1355046. max. zul. Leitungsquerschnitt 2.5mm<sup>2</sup> FLR die Stückzahl ist im Leitungssatz festgelegt.
  - POSITION FOR MATERIAL IDENTIFICATION, DATE INSERT AND ORDER-NO. ARE IN RESPONSIBLE TO MANUFACTURER. Die Lage der Beschriftung fuer die Materialkennzeichnung, Datumsuhr und Bestellnummern ist dem Hersteller ueberlassen.
  - FUNCTIONAL MEASUREMENTS MARKED WITH ARE DOCUMENTED IN THE EMPB. NOT MARKED MEASUREMENTS ARE MEASURED OUT, BUT NOT DOCUMENTED IN THE EMPB. DEVIATIONS ARE ALLOWED IN CASE WHETHER THE FUNCTIONALITY IS NOT TOUCHED. IN CASE OF COMPLAINT THE DEVIATIONS HAVE TO BE CORRECTED. Funktionsbestimmende Masse, die mit gekennzeichnet sind, werden im EMPB dokumentiert. Nicht gekennzeichnete Masse werden ebenfalls ausgemessen, aber nicht im EMPB dokumentiert. Abweichungen werden insofern zugelassen, als die Funktionsfaehigkeit nicht beeintraechtigt wird. Im Reklamationsfall sind Abweichungen zu korrigieren.
  - MATTED WITH PIN HEADER 134POS, TYCO NO 967 288. Passend zu Stiftleiste 134pol., TYCO-Nr. 967 288.

1- -2 AS SHOWN  
wie gezeichnet

COD.	TYCO ASS-Y-NO.	REV.	QTY	MATERIAL	SURFACE COLOUR	DESCRIPTION	ITEM NO
B	2-968307-2	A	I	PBT	GREY/grau similar/aehnlich RAL 7037	RETAINER Kontaktsicherung	2
			I	PBT	NATUR	SOCKET HOUSING Buchsengehaeuse	1
A	1-968307-2	A	I	PBT	GREY/grau similar/aehnlich RAL 7037	RETAINER Kontaktsicherung	2
			I	PBT	BLACK/schwarz RAL 9011	SOCKET HOUSING Buchsengehaeuse	1

DIMENSIONS:  TOLERANCES: UNLESS OTHERWISE SPECIFIED: ALL DIMENSIONS IN MILLIMETERS.	FINISH/SURFACE COLOUR:
MASS/EINHEITEN: MET	OTHERWISE SPECIFIED:
MATERIAL:	FINISH/SURFACE COLOUR:

DWN: Blidar 02MAR2000	NAME: AMP tyco Electronics AMP GmbH D - 64625 Bensheim
ENG: J. Weller 02MAR2000	PRODUCT SPEC: 108-18400
APVD: -	APPLICATION SPEC: VERARBEITUNGSSPEZ.
SCALE: 1:1	WEIGHT: 5.4g
CUSTOMER DRAWING: /KUNDENZEICHNUNG	SCALE: 5:1