



Chipsmall Limited consists of a professional team with an average of over 10 year of expertise in the distribution of electronic components. Based in Hongkong, we have already established firm and mutual-benefit business relationships with customers from,Europe,America and south Asia,supplying obsolete and hard-to-find components to meet their specific needs.

With the principle of "Quality Parts,Customers Priority,Honest Operation,and Considerate Service",our business mainly focus on the distribution of electronic components. Line cards we deal with include Microchip,ALPS,ROHM,Xilinx,Pulse,ON,Everlight and Freescale. Main products comprise IC,Modules,Potentiometer,IC Socket,Relay,Connector.Our parts cover such applications as commercial,industrial, and automotives areas.

We are looking forward to setting up business relationship with you and hope to provide you with the best service and solution. Let us make a better world for our industry!



## Contact us

Tel: +86-755-8981 8866 Fax: +86-755-8427 6832

Email & Skype: info@chipsmall.com Web: www.chipsmall.com

Address: A1208, Overseas Decoration Building, #122 Zhenhua RD., Futian, Shenzhen, China

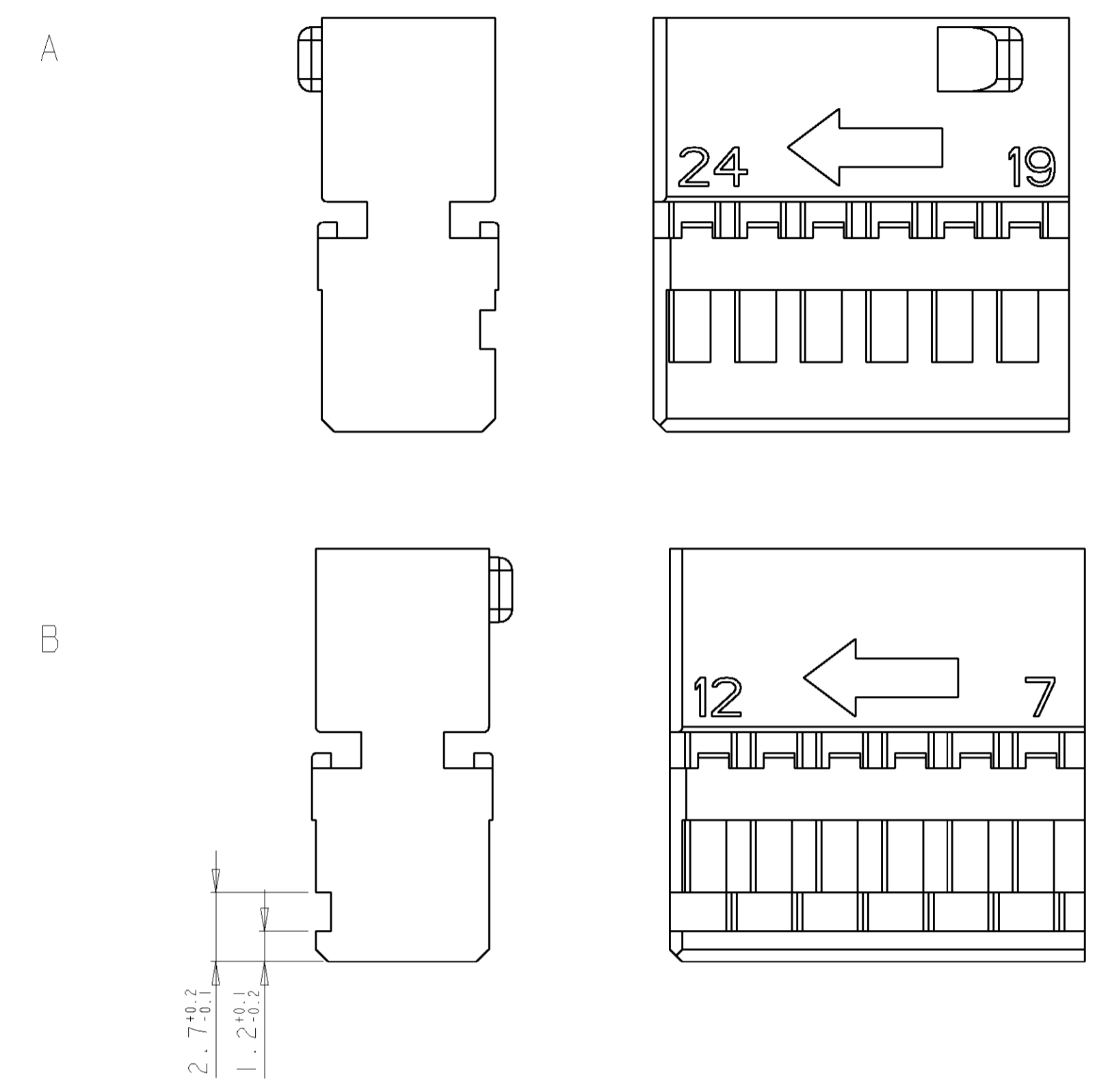
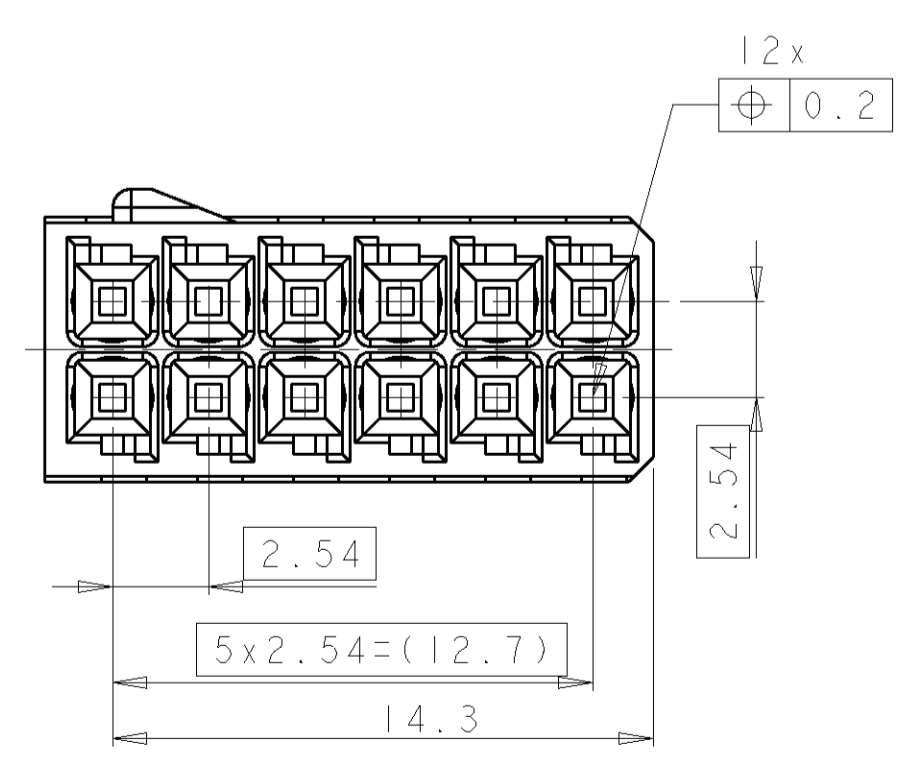
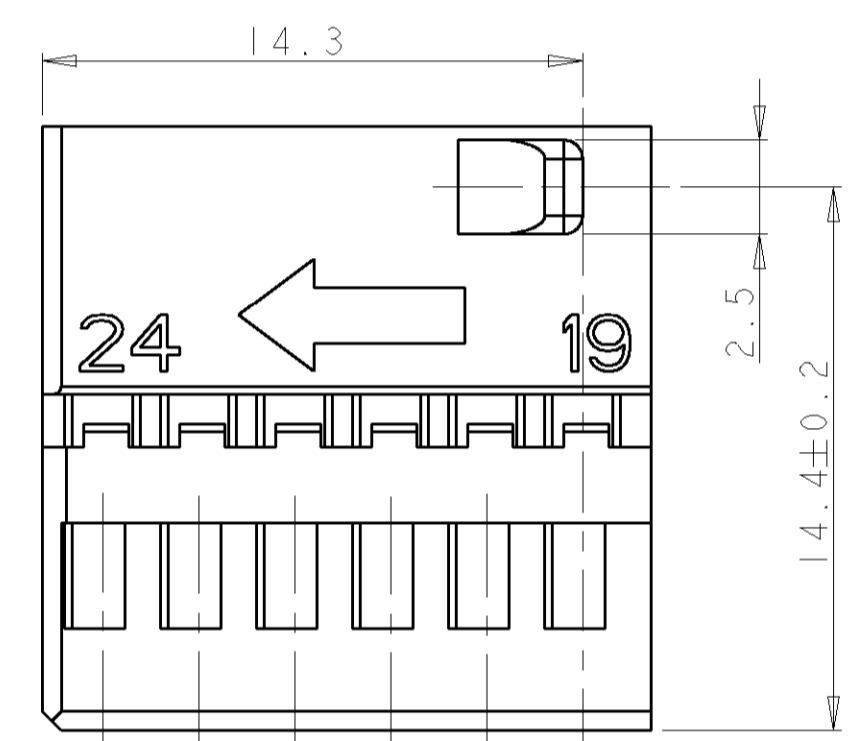
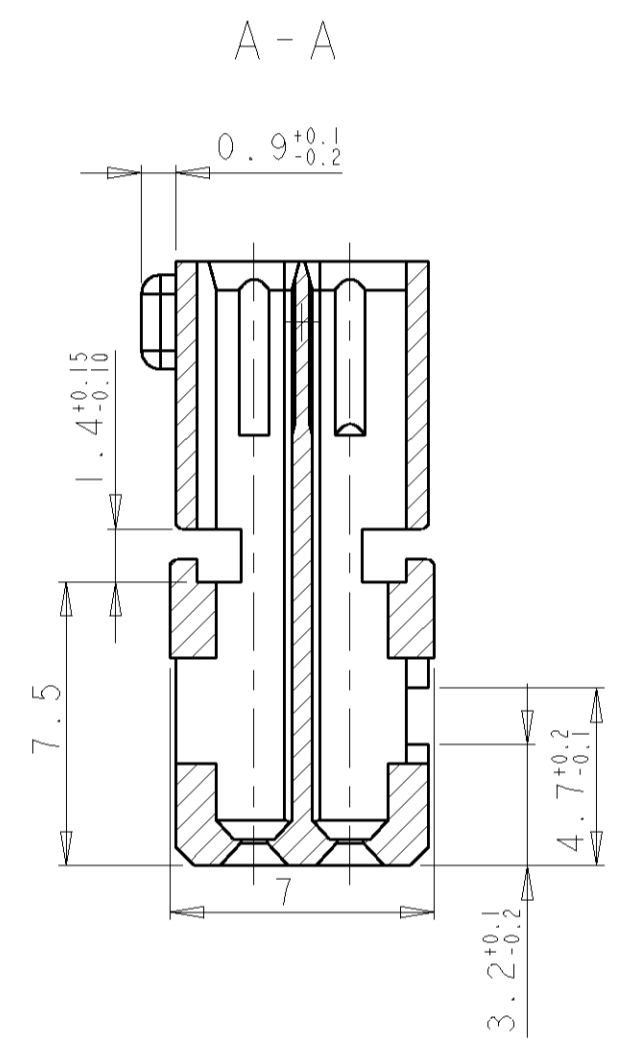
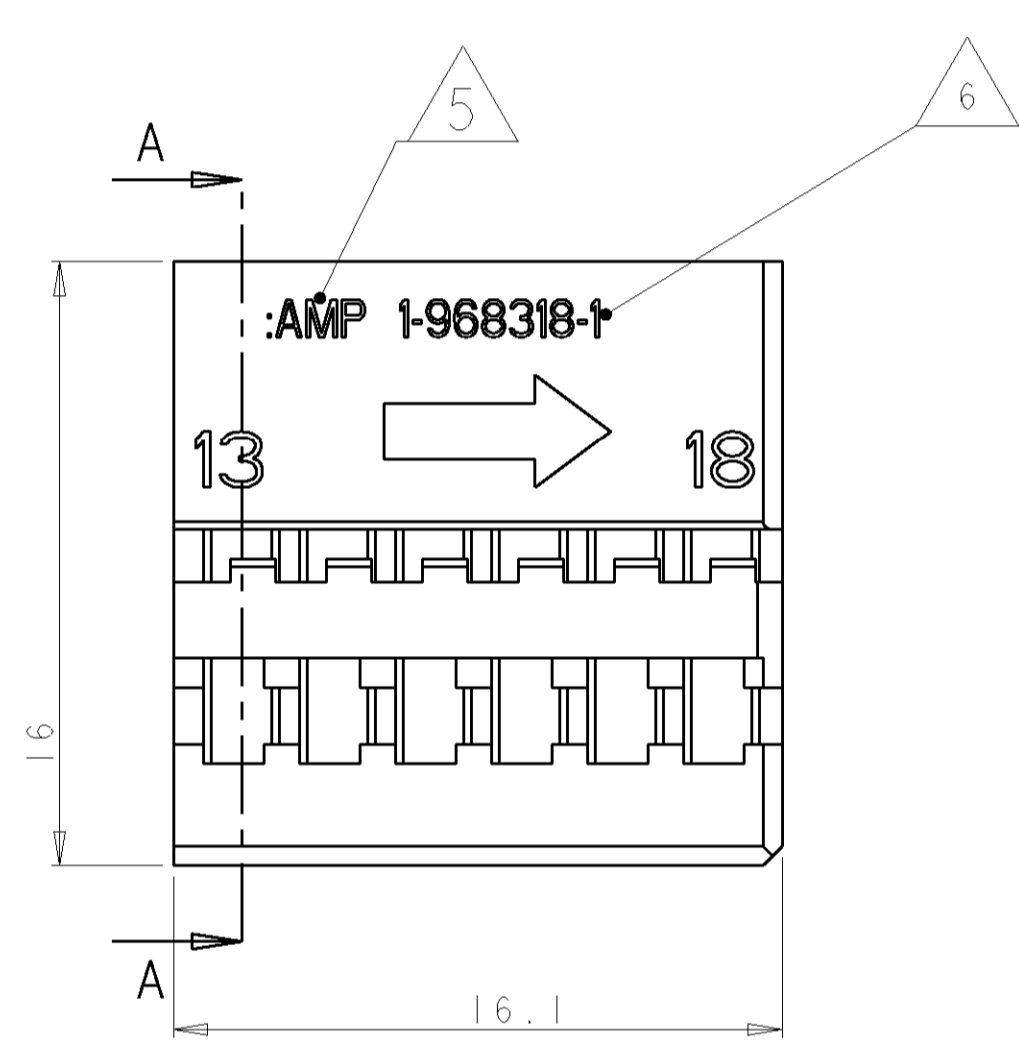
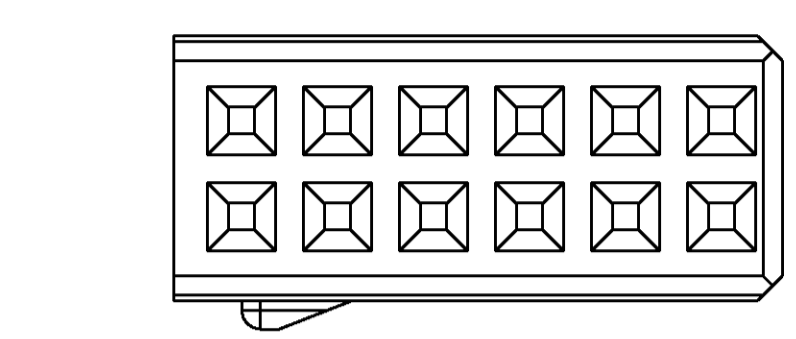


CODINGS  
 Kodierungen

LOC	DIST	REV	DATE	BY	APPD
A1	-	1	30APR11	RK	HMR

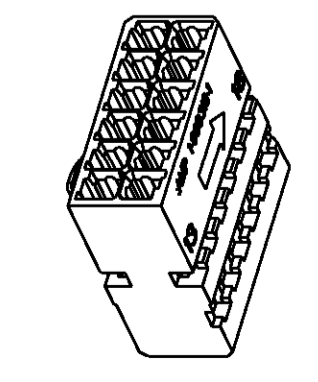
REVISIONS  
 AENDERUNGEN  
 DESCRIPTION  
 BESCHREIBUNG

PROJECT NR.: A2 REVISED PER ECO-11-005294



- REMARKS  
 Bemerkungen
- ONLY THE GERMAN-LANGUAGE VERSION SHALL BE BINDING  
 Massgebend ist der deutsche Text
  - ACCORDING TO SHIELD SEE **TE CONNECTIVITY** DRAWING 968317  
 Passendes Abdeckkappe siehe **TE CONNECTIVITY** Zeichnung 968317
  - POSITION FOR MATERIAL IDENTIFICATION,  
 DATE, INSERT AND ORDER-NR. ARE IN  
 RESPONSIBLE TO MANUFACTURER.  
 Die Lage der Beschriftung fuer die  
 Materialkennzeichnung, Datumjahr und  
 Bestellnummern ist dem Hersteller ueberlassen.
  - FUNCTIONAL MEASUREMENTS MARKED WITH   
 ARE DOCUMENTED IN THE EMPB.  
 NOT MARKED MEASUREMENTS ARE MEASURED OUT,  
 BUT NOT DOCUMENTED IN THE EMPB.  
 DEVIATIONS ARE ALLOWED IN CASE WHETHER THE  
 FUNCTIONALITY IS NOT TOUCHED.  
 IN CASE OF COMPLAINTMENT THE DEVIATIONS  
 HAVE TO BE CORRECTED.  
 Funktionsbestimmende Masse, die mit ge-  
 kennzeichnet sind, werden im EMPB dokumentiert.  
 Nicht gekennzeichnete Masse werden ebenfalls  
 ausgemessen, aber nicht im EMPB dokumentiert.  
 Abweichungen werden insofern zugelassen, als die  
 Funktionsfaehigkeit nicht beeintraechtigt wird. Im  
 Reklamationsfall sind Abweichungen zu koerrigieren.
  - TE CONNECTIVITY** TRADEMARK  
 Kennzeichnung
  - TE CONNECTIVITY** PART NO.; CHARACTERS 1; DEEP; DIN 1451  
**TE CONNECTIVITY** Teile-Nr.; Schrifthoehe 1; vertieft; DIN 1451
  - CAVITY ACCORDING TO MOS-SOCKET CONTACT  
 VERSION A  
**TE CONNECTIVITY** -Nr. 929454  
 MAX. WIRE SIZE 0.75mm<sup>2</sup> FLR PERMITTED  
 NUMBER OF PIECES SEE CABLE HARNESS DRAWINGS  
 PERMISSIBLE CURRENT CARRYING CAPACITY FOR SINGLE PARTS  
 SEE SPECIFICATION FOR MOS 108-18030  
 Kammer passend fuer MOS-Buchsenkontakt  
 Ausfuehrung A  
**TE CONNECTIVITY** -Nr. 929454  
 max. zulassiger Leitungsquerschnitt 0.75mm<sup>2</sup> FLR;  
 die Stueckzahl ist im Leitungssatz festgelegt.  
 Die zulassige Strombelastbarkeit fuer die einzelne  
 Kontakte ist der Spezifikation fuer MOS 108-18030  
 zu entnehmen.

1- -1 AS SHOWN  
 wie gezeichnet



REV	DESCRIPTION	MATERIAL	COLOR	FINISH
B	2-968318-1	PBT-GF15	GREY RAL 7037	similar/aehnlich RAL 7037
A	1-968318-1	PBT-GF15	BLACK RAL 9011	SOCKET HOUSING, 12POS. Buchsengehaeuse, 12pol.
COD.	<b>TE CONNECTIVITY</b> PART NO/Teile Nr.	MATERIAL	COLOR Farbe	DESCRIPTION Benennung

DIMENSIONS: MASSEINHEITEN: mm	TOLERANCES UNLESS OTHERWISE SPECIFIED: ALLSEMI-TOLERANZEN	DWN S. Blidar 19JUN2000	DATE
0-PLC 1-PLC 2-PLC 3-PLC 4-PLC	FINISH/OBERFLAECHE/FARBE	CHK J. Waller 19JUN2000	APVD
MATERIAL	PRODUCT SPEC PRODUKTspez. 108-18400	NAME	SCALE
WEIGHT GEWICHT	APPLICATION SPEC. VERARBEITUNGSSPEZ.	SIZE	CAGE CODE
CUSTOMER DRAWING	WEIGHT 1.1g	DRAWING NO. 00779	DRAWING-NR. 968318
		SHEET 5	OF 1
		REV A2	



MOS SOCKET HOUSING, 12POS.  
 MOS Buchsengehaeuse, 12pol.