



Chipsmall Limited consists of a professional team with an average of over 10 year of expertise in the distribution of electronic components. Based in Hongkong, we have already established firm and mutual-benefit business relationships with customers from,Europe,America and south Asia,supplying obsolete and hard-to-find components to meet their specific needs.

With the principle of “Quality Parts,Customers Priority,Honest Operation,and Considerate Service”,our business mainly focus on the distribution of electronic components. Line cards we deal with include Microchip,ALPS,ROHM,Xilinx,Pulse,ON,Everlight and Freescale. Main products comprise IC,Modules,Potentiometer,IC Socket,Relay,Connector.Our parts cover such applications as commercial,industrial, and automotives areas.

We are looking forward to setting up business relationship with you and hope to provide you with the best service and solution. Let us make a better world for our industry!



Contact us

Tel: +86-755-8981 8866 Fax: +86-755-8427 6832

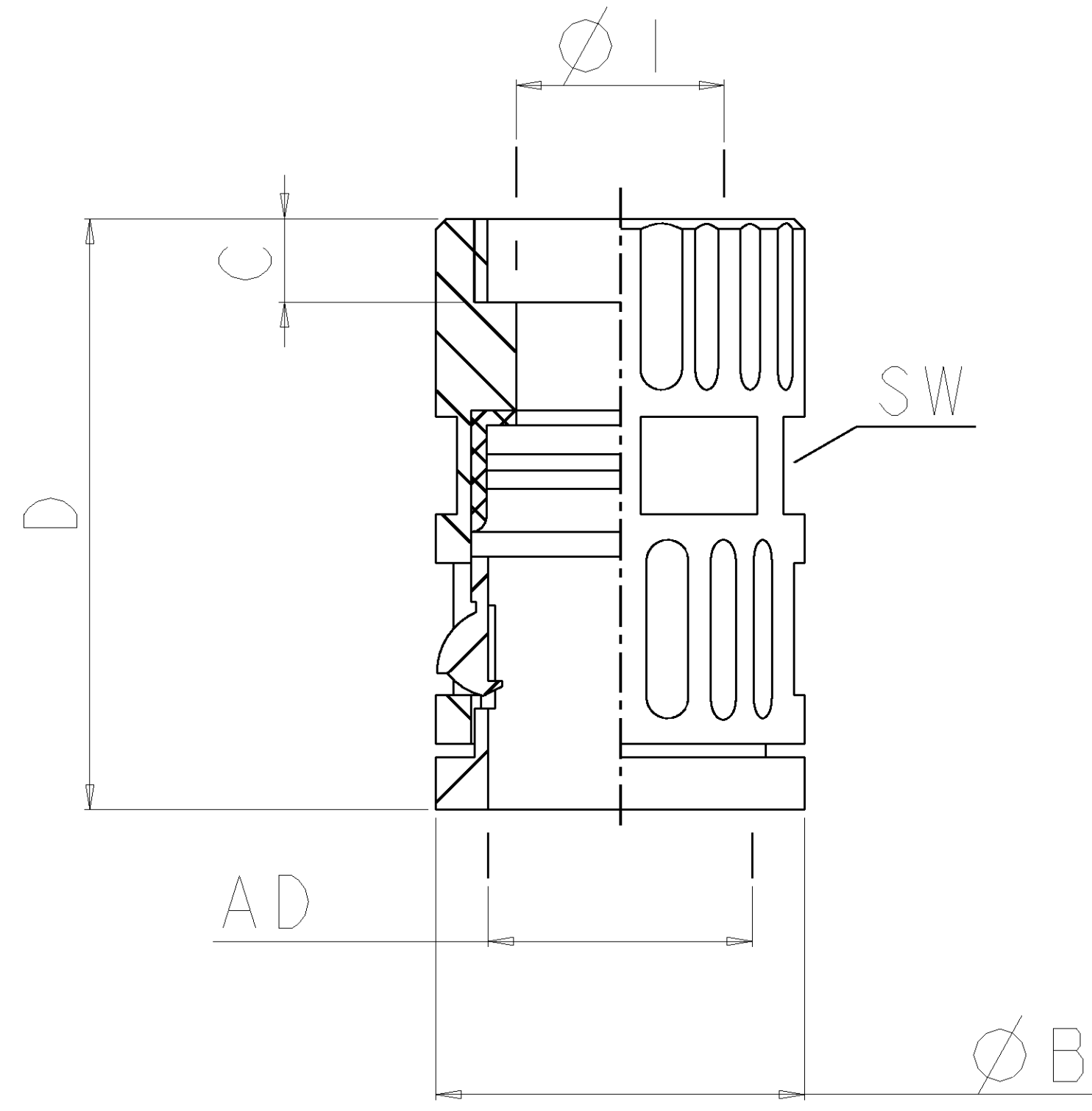
Email & Skype: info@chipsmall.com Web: www.chipsmall.com

Address: A1208, Overseas Decoration Building, #122 Zhenhua RD., Futian, Shenzhen, China



THIS DRAWING IS UNPUBLISHED.
 VERTRAULICHE UNVERÖFFENTLICHTE ZEICHNUNG
 RELEASED FOR PUBLICATION
 FREI FUER VERÖFFENTLICHUNG
 04.OCT 98
 MATED WITH:
 PASSEND ZU:
 © COPYRIGHT BY TYCO ELECTRONICS CORPORATION. ALL RIGHTS RESERVED.
 ALLE RECHTE VORBEHALTEN

LOC	DIST	REVISIONS ÄNDERUNGEN				
		P	LTR	DATE	DWN	APVD
A1	00		B	REVISED PER 063B-0395-00	07-DEC-00	KW MC
PROJEKT NR.: E97-52579						



- ① Material: PA
- ② Color: black
- ③ Unscaled
- ④ DIN 16901-140

- ① Material: PA
- ② Farbe: schwarz
- ③ Unmassstaeblich
- ④ DIN 16901-140

AMP #	Trade Size	Thread	Length of Thread	Smallest Inner Ø	Largest Outer Ø	Total Length	Hex Width	Packaging Unit	approx. Weight
	Nenn-groesse	Gewinde	Gewinde-laenge	kleinster Innen Ø	groesster Aussen Ø	Gesamt-laenge	SchluesSEL-weite	Packungs-einheit	Gewicht
	mm	UNEF	mm	mm	mm	mm	mm	Stueck Pieces	kg/100p
	AD		C	Ø1	ØB	D	SW		⑤
0-969807-2	13	1/2"-28	8	10	20	36.6	18	50	0.5
1-969807-2	13	5/8"-24	8	10	20.6	36.6	18	50	0.55
2-969807-2	13	3/4"-20	9.5	10	23	38.5	18	50	0.66
969807-4	15.8	15/16"-20	9.5	12.5	30	45.5	21	50	0.95

<small>THIS DRAWING IS A CONTROLLED DOCUMENT FOR TYCO ELECTRONICS CORPORATION IT IS SUBJECT TO CHANGE AND THE CONTROLLING ENGINEERING ORGANIZATION SHOULD BE CONTACTED FOR THE LATEST REVISION. DIESES ZEICHNUNGSDOKUMENT WIRD DURCH AMP INCORPORATED KONTROLLIERT. AENDERUNGEN, DIE DEN TECHNISCHEN FORTSCHRITT BIERIN, SIND VORBEHALTEN. DEN JEWEILS LETZTBESTEHENDEN AENDERUNGSSTAND ERFAHREN SIE AUF ANFRAGE.</small>		DWN K. LAMBART 21AUG97 CHK W. BOECK 21AUG97 APVD G. FELDMELER 21AUG97	AMP AMP Deutschland GmbH D - 63225 Langen
DIMENSIONS: MASSE IN HEITEN: mm	TOLERANCES UNLESS OTHERWISE SPECIFIED: ALLGEMEINE TOLERANZEN 0 PLC ± 1 PLC ± 2 PLC ± ④ 3 PLC ± 4 PLC ± ANGLES/WINKEL ± FINISH/OBERFLAECHE/FARBE	NAME RG2 -U AD 13 BLACK STRAIGHT CONNECTION INNER THREAD GERADE VERSCHRAUBUNG MIT INNENGEWINDE	SIZE A2
MATERIAL ①	②	PRODUCT SPEC 108-1696-1 APPLICATION SPEC 114-18277 WEIGHT ⑤ CUSTOMER DRAWING /KUNDENZEICHNUNG	DRAWING NO. 969807 RESTRICTED TO NUR FUER SCALE 3 SHEET OF VON 1 REV B