



Chipsmall Limited consists of a professional team with an average of over 10 year of expertise in the distribution of electronic components. Based in Hongkong, we have already established firm and mutual-benefit business relationships with customers from,Europe,America and south Asia,supplying obsolete and hard-to-find components to meet their specific needs.

With the principle of "Quality Parts,Customers Priority,Honest Operation,and Considerate Service",our business mainly focus on the distribution of electronic components. Line cards we deal with include Microchip,ALPS,ROHM,Xilinx,Pulse,ON,Everlight and Freescale. Main products comprise IC,Modules,Potentiometer,IC Socket,Relay,Connector.Our parts cover such applications as commercial,industrial, and automotives areas.

We are looking forward to setting up business relationship with you and hope to provide you with the best service and solution. Let us make a better world for our industry!



## Contact us

Tel: +86-755-8981 8866 Fax: +86-755-8427 6832

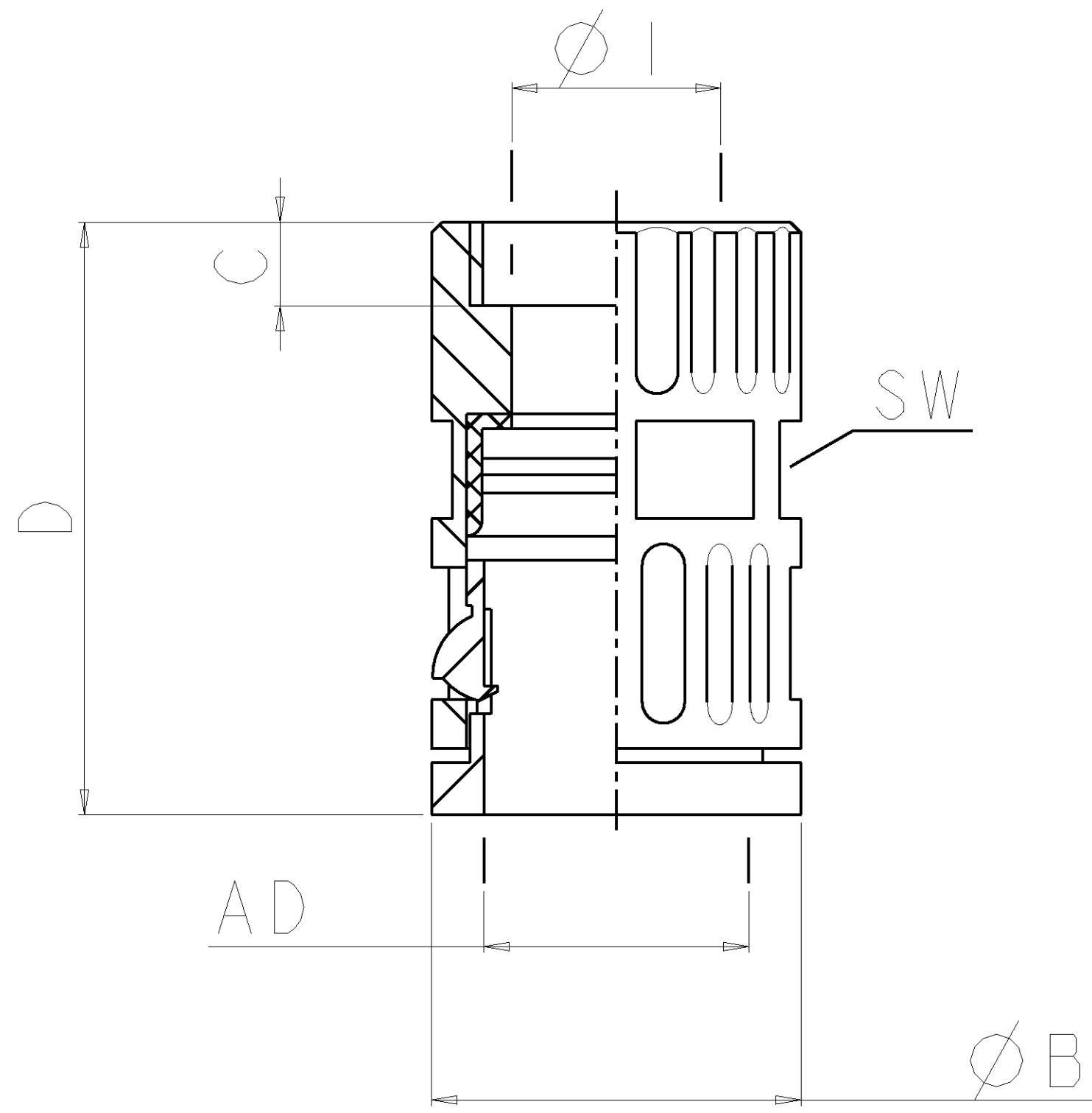
Email & Skype: info@chipsmall.com Web: www.chipsmall.com

Address: A1208, Overseas Decoration Building, #122 Zhenhua RD., Futian, Shenzhen, China



THIS DRAWING IS UNPUBLISHED  
 VERBODEN DE ONSCHIEDENLIJKE VERBODEN  
 RELEASED FOR PUBLICATION  
 FREI FUER VEROFFENTLICHUNG  
 04.OCT 98  
 MATED WITH:  
 PASSEND ZU:  
 BY AMP INCORPORATED. ALL RIGHTS RESERVED.  
 ALLE RECHTE VORBEHALTEN

LOC	DIST	REV	LTR	REVISIONS ÄNDERUNGEN DESCRIPTION BESCHREIBUNG	DATE	DWN	APVD
A1		A		New Drawing	21AUG97	K.L.	G.F.
		A1		TOLERANCE CHANGED	15JUN98	K.L.	G.F.



- ① Material: PA
  - ② Color: black
  - ③ Unscaled
  - ④ DIN 16901-140
- 
- ① Material: PA
  - ② Farbe: schwarz
  - ③ Unmassstablich
  - ④ DIN 16901-140

AMP #	Trade Size	Thread	Length of Thread	Smallest Inner Ø	Largest Outer Ø	Total Length	Hex Width	Packaging Unit	approx. Weight
	Nenn-groesse	Gewinde	Gewinde-laenge	kleinster Innen Ø	groesster Aussen Ø	Gesamt-laenge	Schluesse-lweite	Packungs-einheit	Gewicht
	mm	UNEF	mm	mm	mm	mm	mm	Stueck Pieces	kg/100p
	AD		C	Ø I	Ø B	D	SW		⑤
0-969809-3	15.8	5/8"-24	9.5	12.5	23.6	41.7	21	50	.6
1-969809-3	15.8	3/4"-20	9.5	12.5	23.6	41.7	21	50	0.65
2-969809-3	15.8	1"-20	9.5	12.5	30	45.5	21	50	1

<small>THIS DRAWING IS A CONTROLLED DOCUMENT FOR AMP INCORPORATED. IT IS SUBJECT TO CHANGE AND THE CONTROLLING ENGINEERING ORGANIZATION SHOULD BE CONTACTED FOR THE LATEST REVISION. DIESSES ZEICHNUNGS-DOKUMENT WIRD DURCH AMP INCORPORATED KONTROLLIERT. ANDERUNGEN, DIE DEM TECHNISCHEN FORTSCHRITT DIENEN, SIND VORBEHALTEN. DEN JEWELIS LETZTSCHLUESSLIGEN AENDERUNGSSTAND ERFAHREN SIE AUF ANFRAGE.</small>		DWN K. LAMBART 21AUG97	AMP Deutschland GmbH D - 63225 Langen
<small>DIMENSIONS: MASSE/EINHEITEN: (MM)</small>		CHK W. BOECK 21AUG97	
<small>TOLERANCES UNLESS OTHERWISE SPECIFIED: ALLGEMEIN TOLERANZEN</small>		APVD G. FELDMEIER 21AUG97	NAME RQG2 -U AD 15.8 BLACK STRAIGHT CONNECTION INNER THREAD GERADE VERSCHRAUBUNG MIT INNENGEWINDE
<small>0 PLC ± ④ 1 PLC ± 2 PLC ± 3 PLC ± 4 PLC ±</small>		PRODUCT SPEC 108-1696-1	SIZE A2
<small>ANGLES / WINKEL ± FINISH / OBERFLAECHE / FARBE</small>		APPLICATION SPEC 114-18277	CAGE CODE 00779
<small>MATERIAL</small>		WEIGHT GEWICHT	DRAWING NO. ZEICHNUNGS-NR. C-969809
<small>RESTRICTED TO NUR FUER</small>		CUSTOMER DRAWING / KUNDENZEICHUNG	SCALE / MASSSTAB 3
<small>SHEET / BLATT</small>		OF / VON	REV A1