



Chipsmall Limited consists of a professional team with an average of over 10 year of expertise in the distribution of electronic components. Based in Hongkong, we have already established firm and mutual-benefit business relationships with customers from,Europe,America and south Asia,supplying obsolete and hard-to-find components to meet their specific needs.

With the principle of “Quality Parts,Customers Priority,Honest Operation,and Considerate Service”,our business mainly focus on the distribution of electronic components. Line cards we deal with include Microchip,ALPS,ROHM,Xilinx,Pulse,ON,Everlight and Freescale. Main products comprise IC,Modules,Potentiometer,IC Socket,Relay,Connector.Our parts cover such applications as commercial,industrial, and automotives areas.

We are looking forward to setting up business relationship with you and hope to provide you with the best service and solution. Let us make a better world for our industry!



## Contact us

Tel: +86-755-8981 8866 Fax: +86-755-8427 6832

Email & Skype: info@chipsmall.com Web: www.chipsmall.com

Address: A1208, Overseas Decoration Building, #122 Zhenhua RD., Futian, Shenzhen, China



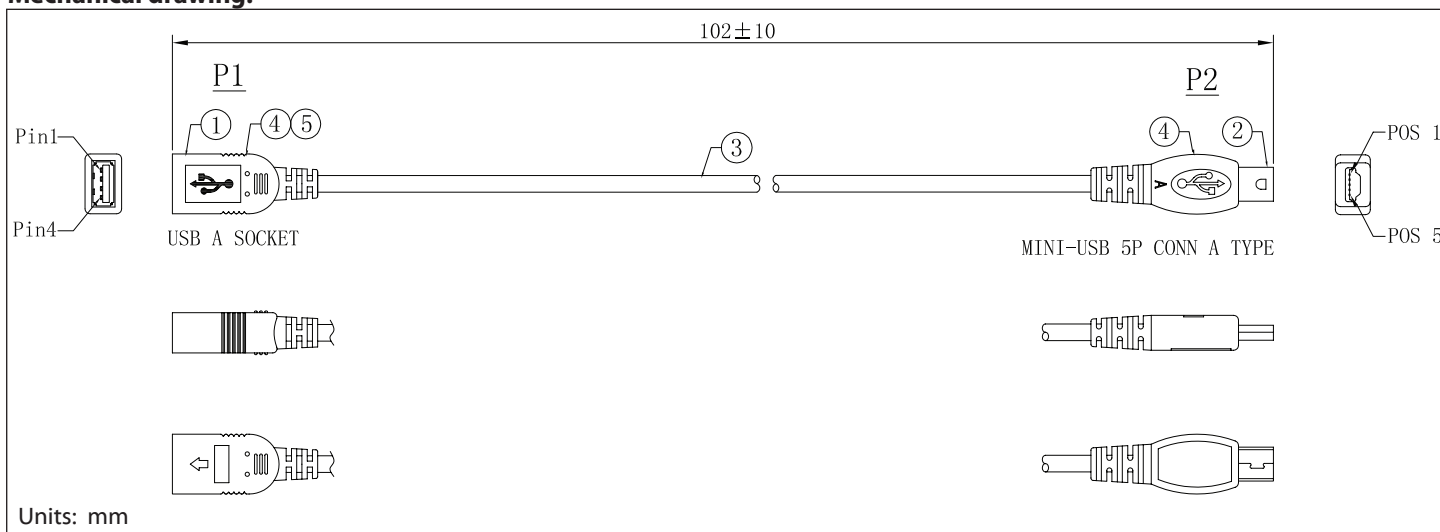
### Specifications:

|                           |   |
|---------------------------|---|
| connector description (1) | USB socket, A type, 4 position, 3~5u" gold plating, white insulator, nickel shell, overmold                 |
| connector description (2) | mini-USB socket, A type, 5 position, 3~5u" gold plating, white insulator, nickel shell                      |
| wire description (3)      | 4C, 1PR+2C, 28 AWG, UL2725, 30V, 80C, 3.6 mm, AL spiral + DW, VW-1, high-speed USB 2.0, white, P/N 30-00145 |
| cable outer diameter      | Ø3.6 mm   |
| cable color               | white   |
| cable length              | 102 ± 10 mm   |
| overmold (4)              | molded white (HT027) PVC, 45P   |
| overmold (5)              | clear PE  |

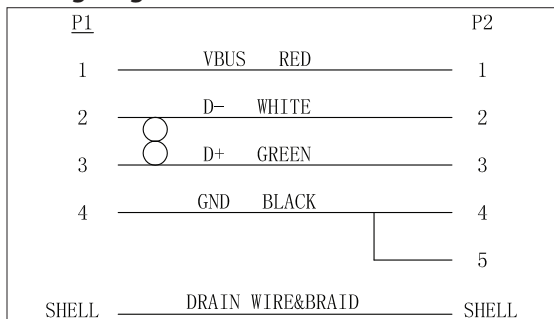
### Notes:

Function test: no open, no reversed polarity, no short circuit, no INT  
 RoHS compliant

### Mechanical drawing:



### Wiring diagram:



**tolerance X: ±0.5 mm .X: ±0.3 mm .XX: ±0.05 mm**  
 applicable unless otherwise indicated in specification or on drawings  
 Tensility International Corporation reserves the right to substitute parts which are functionally equivalent to the ones specified.

|                |             |
|----------------|-------------|
| <b>Initial</b> | <b>Date</b> |
|----------------|-------------|

**Revision notes:**

| Rev | Date              | Description                                  |
|-----|-------------------|--|
| A   | December 12, 2008 | initial release                              |
| A1  | November 17, 2011 | updated wiring diagram                       |
| A2  | November 30, 2011 | updated description to show wire part number |
|     |                   |  |
|     |                   |  |

**Specification Approval**

Spec sign-off verifies that you have reviewed the entire specification, tested a sample of the product, and confirm that it meets your requirements. This specification reflects the part as it will be ordered. Orders will not be processed until the specification pages have been initialed and the approval page has been signed. This specification is confidential and is not to be transmitted without prior approval from Tensility.

Signature \_\_\_\_\_

Title \_\_\_\_\_

Name \_\_\_\_\_

Date \_\_\_\_\_

Company \_\_\_\_\_

Branch \_\_\_\_\_