



Chipsmall Limited consists of a professional team with an average of over 10 year of expertise in the distribution of electronic components. Based in Hongkong, we have already established firm and mutual-benefit business relationships with customers from,Europe,America and south Asia,supplying obsolete and hard-to-find components to meet their specific needs.

With the principle of “Quality Parts,Customers Priority,Honest Operation,and Considerate Service”,our business mainly focus on the distribution of electronic components. Line cards we deal with include Microchip,ALPS,ROHM,Xilinx,Pulse,ON,Everlight and Freescale. Main products comprise IC,Modules,Potentiometer,IC Socket,Relay,Connector.Our parts cover such applications as commercial,industrial, and automotives areas.

We are looking forward to setting up business relationship with you and hope to provide you with the best service and solution. Let us make a better world for our industry!



Contact us

Tel: +86-755-8981 8866 Fax: +86-755-8427 6832

Email & Skype: info@chipsmall.com Web: www.chipsmall.com

Address: A1208, Overseas Decoration Building, #122 Zhenhua RD., Futian, Shenzhen, China





Series 154 Yellow Streak Jumpers on 0.100 [2.54] Centers

FEATURES

- Maintain 0.100 [2.54] Conductor Spacing with Pitch Bars

GENERAL SPECIFICATIONS

- PITCH BAR: Black UL 94V-0 glass-filled 4/6 Nylon
- CABLE INSULATION: UL Style 1061 Polyvinyl Chloride (PVC), semi-rigid
- LAMINATE: Clear PVC, Self-extinguishing
- CONDUCTORS: 24-AWG, tinned, solid Cu
- CABLE CURRENT RATING: 1 amp at 10°C [50°F] above ambient
- CABLE VOLTAGE RATING: 300V
- CABLE TEMPERATURE RATING: 176°F [80°C]

MOUNTING CONSIDERATIONS

- SUGGESTED PCB HOLE SIZE: 0.033 ±0.002 [0.86 ±0.05] dia.



ORDERING INFORMATION

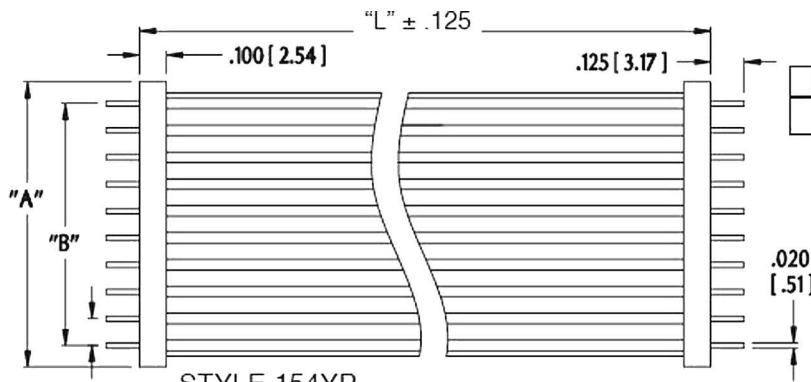
XX-XXXX-XXXX

Series
 154YS = Without Pitch Bars
 154YP = With Pitch Bars

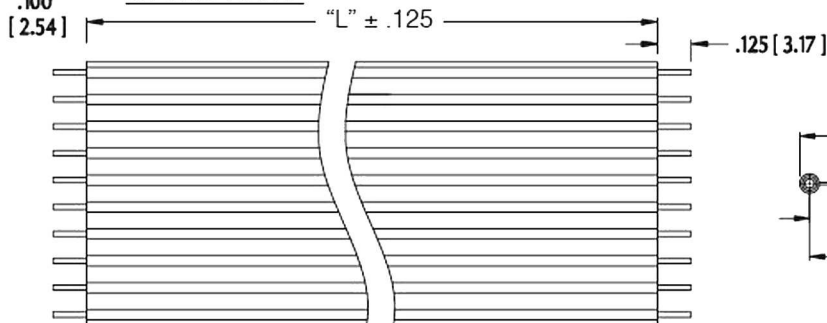
Length "L" (inches)
 2.00" = 002 (min)
 2.50" = 002.5
 3.00" = 003
 Etc.

No. of Conductors
 (4 thru 22)

| No. of Conductors | Minimum Insulation Length |
|-------------------|---------------------------|
| 4 thru 22 | 2.0" [50.8] |

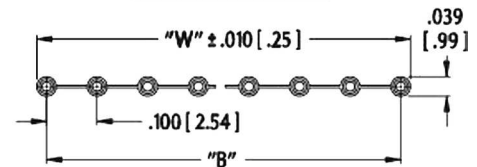


STYLE 154YP



STYLE 154YS

CABLE DETAIL



ALL DIMENSIONS: INCHES [MILLIMETERS]
 ALL TOLERANCES: ±0.005 [0.13] UNLESS OTHERWISE SPECIFIED
 NOT TO BE USED FOR HIGH-FLEX APPLICATIONS
 FOR HIGH-FLEX APPLICATIONS, SEE DATA SHEETS 11005 & 11014
 CONSULT FACTORY FOR OTHER SIZES AND CONFIGURATIONS

CUSTOMIZATION: ARIES SPECIALIZES IN CUSTOM DESIGN AND PRODUCTION.
 SPECIAL MATERIALS, PLATINGS, SIZES, AND CONFIGURATIONS CAN BE
 FURNISHED, DEPENDING ON QUANTITY.

ARIES RESERVES THE RIGHT TO CHANGE PRODUCT GENERAL SPECIFICATIONS
 WITHOUT NOTICE

PRINTOUTS OF THIS DOCUMENT MAY BE OUT-OF-DATE AND SHOULD BE
 CONSIDERED UNCONTROLLED



ARIES
 ELECTRONICS, INC.

2609 Bartram Road • Bristol, PA 19007-6810 USA
 TEL 215-781-9956 • FAX 215-781-9845
 WWW.ARIESELEC.COM • INFO@ARIESELEC.COM



11015
 Rev. 5.5
 1 of 1