



Chipsmall Limited consists of a professional team with an average of over 10 year of expertise in the distribution of electronic components. Based in Hongkong, we have already established firm and mutual-benefit business relationships with customers from,Europe,America and south Asia,supplying obsolete and hard-to-find components to meet their specific needs.

With the principle of “Quality Parts,Customers Priority,Honest Operation,and Considerate Service”,our business mainly focus on the distribution of electronic components. Line cards we deal with include Microchip,ALPS,ROHM,Xilinx,Pulse,ON,Everlight and Freescale. Main products comprise IC,Modules,Potentiometer,IC Socket,Relay,Connector.Our parts cover such applications as commercial,industrial, and automotives areas.

We are looking forward to setting up business relationship with you and hope to provide you with the best service and solution. Let us make a better world for our industry!



Contact us

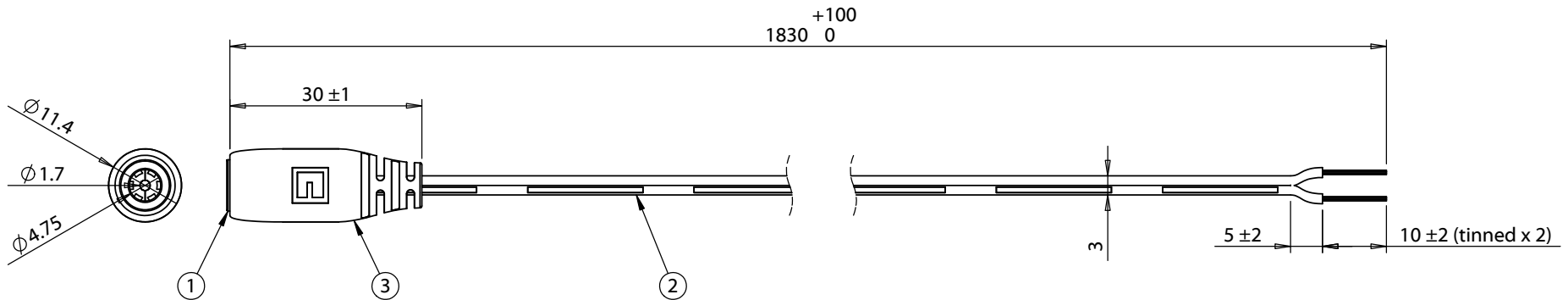
Tel: +86-755-8981 8866 Fax: +86-755-8427 6832

Email & Skype: info@chipsmall.com Web: www.chipsmall.com

Address: A1208, Overseas Decoration Building, #122 Zhenhua RD., Futian, Shenzhen, China



ITEM NO.	PART NUMBER	DESCRIPTION	QTY.	COMPONENT NOTES
1	50-00333	Connector, dc jack, 4.75x1.7xL17.5 mm, molding style	1	
2	30-00405	Wire, 2C TS, 24 AWG, UL2468, 300V, 80C, 3.0 mm, VW-1, PVC, 87A, white	1	
3	24-00004	Overmold, PVC, white	1	



Notes:

Cables individually tied and bundled in groups of 10

Functionally equivalent components may be substituted

4 A, 12 Vdc

Wiring Diagram	
50-00333	wire color
center	white with stripe
sleeve	white

Revision:	Date:	Description:	Prepared:	Notes:	<h1>TENSILITY</h1> <p>tel 1.541.323.3228 800 877.670.7118 fax 1.541.323.4202 web tensility.com</p>
A	12/22/2015	Initial release	GL 2016.05.19 09:46:18 -07'00'	RoHS and REACH compliant	
			Verified: LA <small>Digitally signed by LA, DN: cn=LA, o=Tensility, ou=Engineering, email=LA@20160519.17:28:00-07'00', Date: 2016.05.19 17:28:00 -07'00'</small>	Function test: no open, no short circuit, no intermittent	
			Dimensions are in millimeters. Tolerances: X: ± 0.5 mm X.X: ± 0.3 mm X.XX: ± 0.05 mm	Description: Cable, 1830 mm, 4.75x1.7 mm 50-00333 dc jack to stripped tinned, 24 AWG, 30-00405 wire, white	
				Size: A	Part number: 10-01270
				Scale: 1:2	Sheet 1 of 1