



Chipsmall Limited consists of a professional team with an average of over 10 year of expertise in the distribution of electronic components. Based in Hongkong, we have already established firm and mutual-benefit business relationships with customers from,Europe,America and south Asia,supplying obsolete and hard-to-find components to meet their specific needs.

With the principle of “Quality Parts,Customers Priority,Honest Operation,and Considerate Service”,our business mainly focus on the distribution of electronic components. Line cards we deal with include Microchip,ALPS,ROHM,Xilinx,Pulse,ON,Everlight and Freescale. Main products comprise IC,Modules,Potentiometer,IC Socket,Relay,Connector.Our parts cover such applications as commercial,industrial, and automotives areas.

We are looking forward to setting up business relationship with you and hope to provide you with the best service and solution. Let us make a better world for our industry!



## Contact us

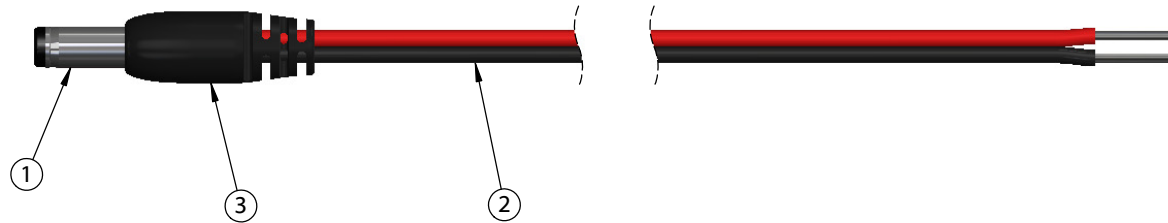
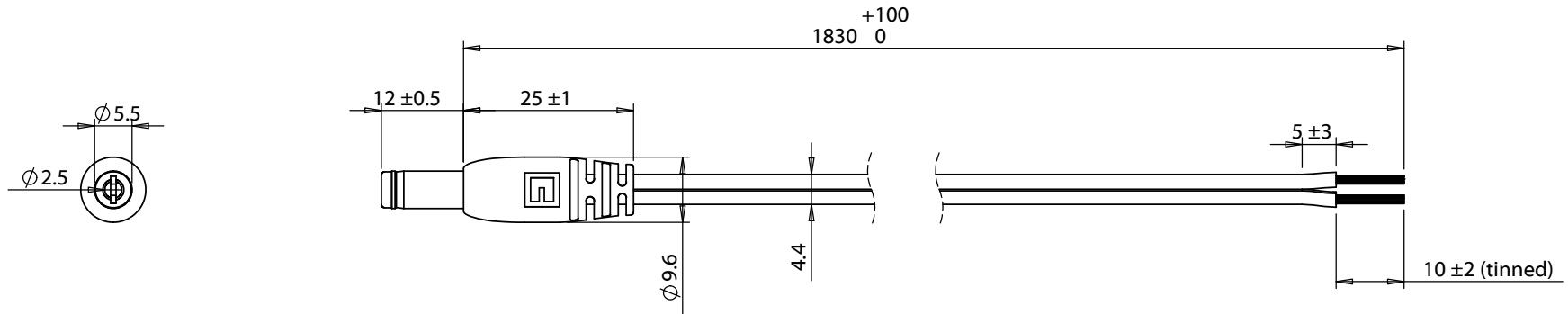
Tel: +86-755-8981 8866 Fax: +86-755-8427 6832

Email & Skype: info@chipsmall.com Web: www.chipsmall.com

Address: A1208, Overseas Decoration Building, #122 Zhenhua RD., Futian, Shenzhen, China



ITEM NO.	PART NUMBER	DESCRIPTION	QTY.	NOTES
1	50-00026	Connector, dc plug, 5.5x2.5xL23 mm, molding style, spring contacts	1	
2	30-00415	Wire, 2C TS, 18 AWG, UL2468, 300V, 80°C, 4.4 mm, VW-1, PVC, 87A, red and black	1	
3	24-00003	Overmold, PVC, black	1	



Wiring diagram	
50-00026	Wire Color
Center	Red
Sleeve	Black

REVISION	DATE	DESCRIPTION	PREPARED:	NOTES	<h1>TENSILITY</h1> <p>20802 Sockeye Place #130 Bend, OR 97701 USA tel 541.323.3228 fax 541.323.4202 800 877.670.7118 www.tensility.com</p>				
A	7/25/2014	Initial release	AG 2015.04.30 10:27:16 -07'00'	Rated for 7 A, 12 Vdc					
A1	4/30/2015	Updated notes section	VERIFIED: JM 2015.05.01 08:05:35 -07'00'	RoHS and REACH compliant					
			DIMENSIONS ARE IN MILLIMETERS	Function test: no open, no reversed polarity, no short circuit, no INT					
			TOLERANCES: X: ± 0.5 mm X.X: ± 0.3 mm X.XX: ± 0.05 mm	Functionally equivalent components may be used					
				DESCRIPTION: Cable, 1830 mm, 5.5x2.5x12 mm 50-00026 dc plug to 10 mm tinned, 18 AWG, 30-00415 R-B wire	<table border="1"> <tr> <td>SIZE</td> <td>PART NUMBER</td> </tr> <tr> <td>A</td> <td>10-01775</td> </tr> </table>	SIZE	PART NUMBER	A	10-01775
SIZE	PART NUMBER								
A	10-01775								
				SCALE: 1:1	WEIGHT:				
				SHEET 1 OF 1					