



Chipsmall Limited consists of a professional team with an average of over 10 year of expertise in the distribution of electronic components. Based in Hongkong, we have already established firm and mutual-benefit business relationships with customers from,Europe,America and south Asia,supplying obsolete and hard-to-find components to meet their specific needs.

With the principle of “Quality Parts,Customers Priority,Honest Operation,and Considerate Service”,our business mainly focus on the distribution of electronic components. Line cards we deal with include Microchip,ALPS,ROHM,Xilinx,Pulse,ON,Everlight and Freescale. Main products comprise IC,Modules,Potentiometer,IC Socket,Relay,Connector.Our parts cover such applications as commercial,industrial, and automotives areas.

We are looking forward to setting up business relationship with you and hope to provide you with the best service and solution. Let us make a better world for our industry!



Contact us

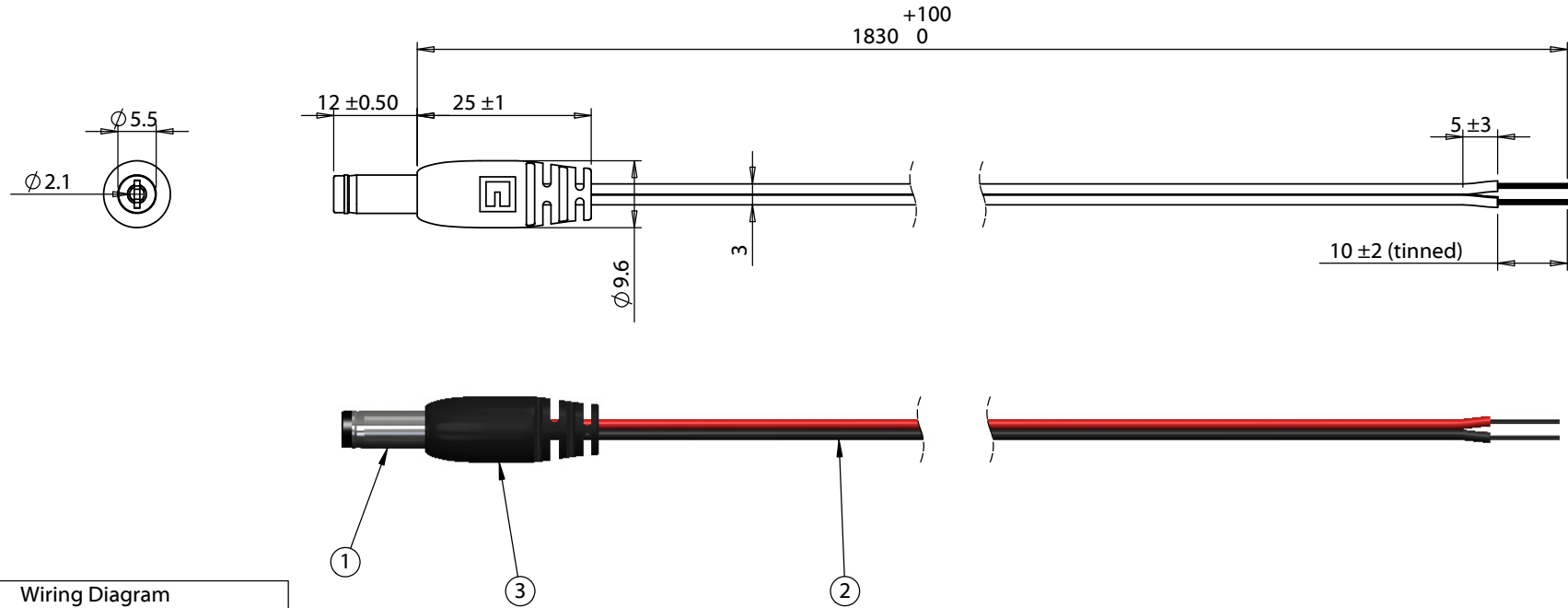
Tel: +86-755-8981 8866 Fax: +86-755-8427 6832

Email & Skype: info@chipsmall.com Web: www.chipsmall.com

Address: A1208, Overseas Decoration Building, #122 Zhenhua RD., Futian, Shenzhen, China



ITEM NO.	PART NUMBER	DESCRIPTION	QTY.	NOTES
1	50-00024	Connector, dc plug, 5.5x2.1xL23 mm, molding style, spring contacts	1	
2	30-00418	Wire, 2C TS, 24 AWG, UL2468, 300V, 80°C, 3.0 mm, VW-1, PVC, 87A, red and black	1	
3	24-00003	Overmold, PVC, black	1	



Wiring Diagram	
50-00026	Wire
Sleeve	Black
Center	Red

REVISION	DATE	DESCRIPTION	PREPARED:	NOTES	<h1>TENSILITY</h1> <p>20802 Sockeye Place #130 Bend, OR 97701 USA tel 541.323.3228 fax 541.323.4202 800 877.670.7118 www.tensility.com</p>				
A	4/10/2015	Initial release	AG 2015.04.30 10:17:45 -07'00'	Rated for 4 A, 12 Vdc RoHS and REACH compliant					
A1	4/30/2015	Updated notes section	JM 2015.05.07 13:22:49 -07'00'	Function test: no open, no reversed polarity, no short circuit, no INT					
			DIMENSIONS ARE IN MILLIMETERS	Functionally equivalent components may be used					
			TOLERANCES: X: ± 0.5 mm X.X: ± 0.3 mm X.XX: ± 0.05 mm	DESCRIPTION: Cable, 1830 mm, 5.5x2.1x12 mm 50-00024 dc plug to stripped tinned, 24 AWG, 30-00418 R-B wire	<table border="1"> <tr> <td>SIZE</td> <td>PART NUMBER</td> </tr> <tr> <td>A</td> <td>10-01936</td> </tr> </table>	SIZE	PART NUMBER	A	10-01936
SIZE	PART NUMBER								
A	10-01936								
					SCALE: 1:1	SHEET 1 OF 1			