



Chipsmall Limited consists of a professional team with an average of over 10 year of expertise in the distribution of electronic components. Based in Hongkong, we have already established firm and mutual-benefit business relationships with customers from,Europe,America and south Asia,supplying obsolete and hard-to-find components to meet their specific needs.

With the principle of “Quality Parts,Customers Priority,Honest Operation,and Considerate Service”,our business mainly focus on the distribution of electronic components. Line cards we deal with include Microchip,ALPS,ROHM,Xilinx,Pulse,ON,Everlight and Freescale. Main products comprise IC,Modules,Potentiometer,IC Socket,Relay,Connector.Our parts cover such applications as commercial,industrial, and automotives areas.

We are looking forward to setting up business relationship with you and hope to provide you with the best service and solution. Let us make a better world for our industry!



Contact us

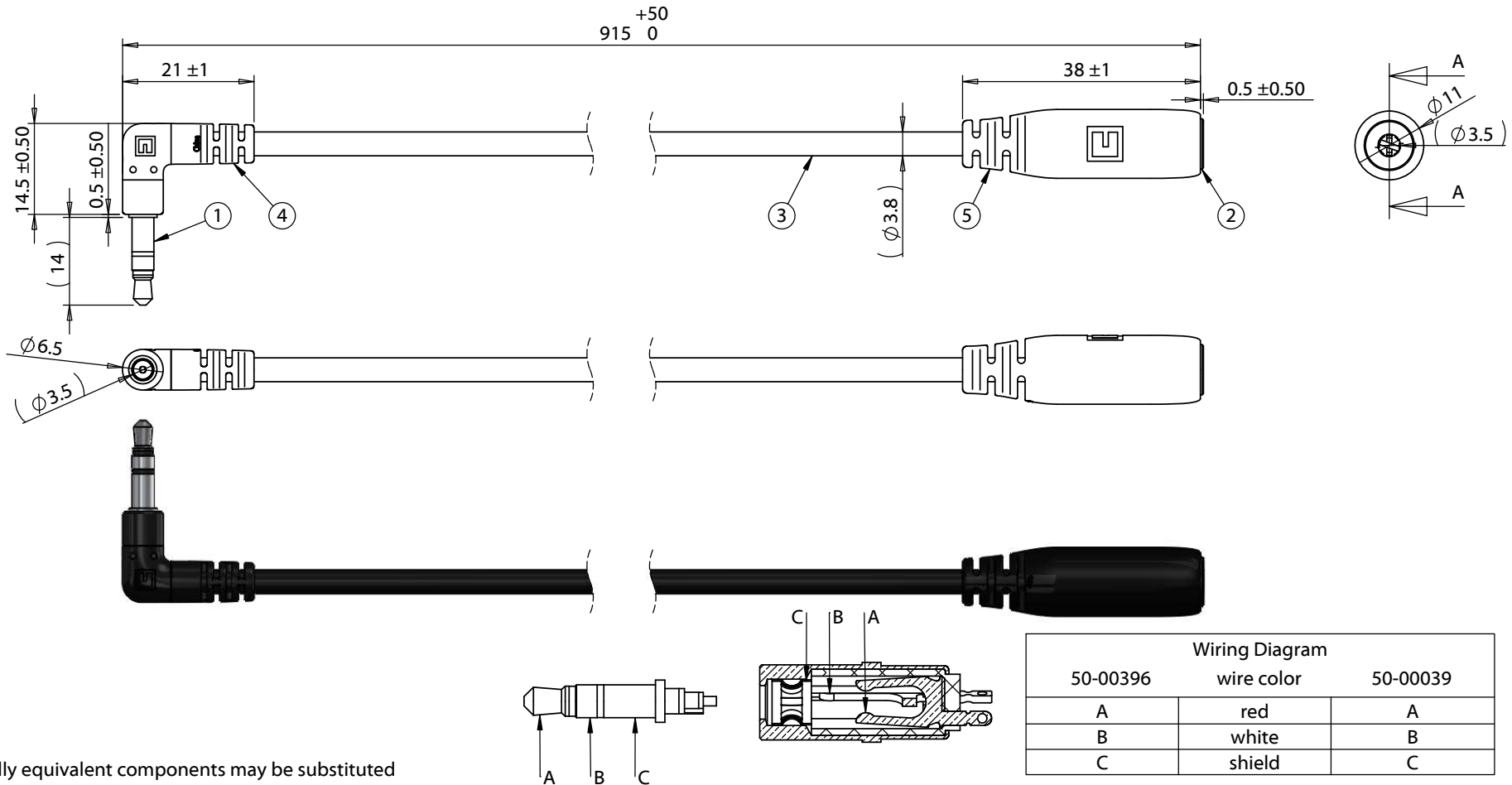
Tel: +86-755-8981 8866 Fax: +86-755-8427 6832

Email & Skype: info@chipsmall.com Web: www.chipsmall.com

Address: A1208, Overseas Decoration Building, #122 Zhenhua RD., Futian, Shenzhen, China



ITEM NO.	PART NUMBER	DESCRIPTION	QTY.	NOTES
1	50-00396	Connector, stereo plug, 3.5xL20.5 mm, brass, nickel plated, molding style	1	
2	50-00039	Connector, stereo jack, 3.5x8.0xL24.7 mm, brass, nickel plated, molding style	1	
3	30-00177	Wire, 2C BC, 28 AWG, 300V, 80C, 3.8 mm, foil + shield, PVC	1	
4	24-00085	Overmold, PVC	1	black
5	24-00036	Overmold, PVC	1	black



Notes:
Functionally equivalent components may be substituted

Revision:	Date:	Description:	Prepared:	Notes:	TENSILITY	
A	2/19/2016	Initial release	DN <small>Digitally signed by DN Date: 2017.05.22 08:59:28 -07'00'</small>	RoHS and REACH compliant	tel 1.541.323.3228 800 877.670.7118 fax 1.541.323.4202 web tensility.com	
A1	7/15/2016	Modified collar exposure	Verified: GL <small>Digitally signed by GL Date: 2017.05.23 08:24:10 -07'00'</small>	Function test: no open, no short circuit, no intermittent	Size:	Part number:
A2	5/22/2017	Modified plug overmold	Dimensions are in millimeters. Tolerances: X: ± 0.5 mm X.X: ± 0.3 mm X.XX: ± 0.05 mm	Description: Cable, 915 mm, 3.5 mm 3C 90° 50-00396 audio plug to 3.5 mm 3C 50-00039 audio jack, 28 AWG, 30-00177	A	10-02138
					Scale: 1:1	Sheet 1 of 1