



Chipsmall Limited consists of a professional team with an average of over 10 year of expertise in the distribution of electronic components. Based in Hongkong, we have already established firm and mutual-benefit business relationships with customers from,Europe,America and south Asia,supplying obsolete and hard-to-find components to meet their specific needs.

With the principle of "Quality Parts,Customers Priority,Honest Operation,and Considerate Service",our business mainly focus on the distribution of electronic components. Line cards we deal with include Microchip,ALPS,ROHM,Xilinx,Pulse,ON,Everlight and Freescale. Main products comprise IC,Modules,Potentiometer,IC Socket,Relay,Connector.Our parts cover such applications as commercial,industrial, and automotives areas.

We are looking forward to setting up business relationship with you and hope to provide you with the best service and solution. Let us make a better world for our industry!



Contact us

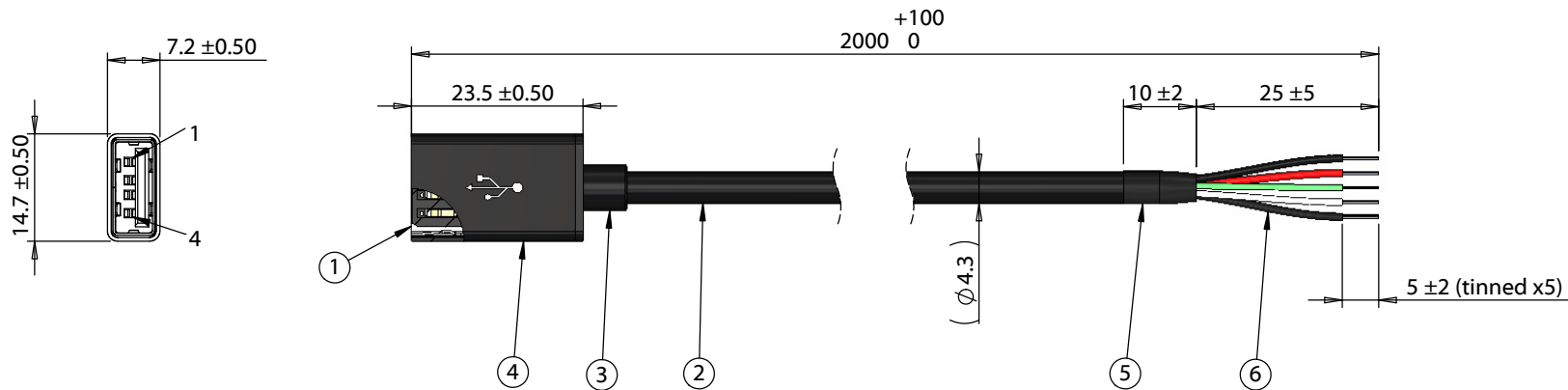
Tel: +86-755-8981 8866 Fax: +86-755-8427 6832

Email & Skype: info@chipsmall.com Web: www.chipsmall.com

Address: A1208, Overseas Decoration Building, #122 Zhenhua RD., Futian, Shenzhen, China



ITEM NO.	PART NUMBER	DESCRIPTION	QTY.	COMPONENT NOTES
1	50-00576	Connector, USB A 2.0 receptacle, molding style, 180°, nickel plated shell, black insulator	1	
2	30-00872	Wire, 4C, 1PR 28 AWG, 2C 26 AWG, UL2725, 30V, 80C, 4.3 mm, shielded, VW-1, PVC, 79A, USB 2.0	1	
3	24-00217	Overmold, jack, USB A, slim design for aluminum shell	1	PVC, black
4	55-00074	USB A jack aluminum shell, 14.7x7.2x22.5 mm	1	black
5	Heat Shrink	Heat shrink tubing, black	1	Covers jacket stripped end
6	Heat Shrink	Heat shrink tubing, black	1	Covers shield and drain



Wiring diagram	
50-00576	Wire Color
1	Red
2	White
3	Green
4	Black
Shell	Drain & Shield

Notes:
Functionally equivalent components may be substituted

Revision:	Date:	Description:	Prepared:	Notes:	<h1>TENSILITY</h1> tel 1.541.323.3228 800 877.670.7118 fax 1.541.323.4202 web tensility.com
A	1/5/2018	Initial release	AG <small>Digitally signed by AG Date: 2018.01.05 16:23:25 -0800</small>		
			Verified:	Function test: no open, no short circuit, no intermittent	Size: Part number:
			PS <small>Digitally signed by PS Date: 2018.01.19 15:35:07 -0800</small>	Description:	A 10-02337
			Dimensions are in millimeters. Tolerances: X: ± 0.5 mm X.X: ± 0.3 mm X.XX: ± 0.05 mm	Cable, 2000 mm, 50-00576 USB A receptacle to 5 mm tinned, 26/28 AWG, 30-00872 wire	Scale: 1:1
					Sheet 1 of 1

5

4

3

2

1