



Chipsmall Limited consists of a professional team with an average of over 10 year of expertise in the distribution of electronic components. Based in Hongkong, we have already established firm and mutual-benefit business relationships with customers from,Europe,America and south Asia,supplying obsolete and hard-to-find components to meet their specific needs.

With the principle of “Quality Parts,Customers Priority,Honest Operation,and Considerate Service”,our business mainly focus on the distribution of electronic components. Line cards we deal with include Microchip,ALPS,ROHM,Xilinx,Pulse,ON,Everlight and Freescale. Main products comprise IC,Modules,Potentiometer,IC Socket,Relay,Connector.Our parts cover such applications as commercial,industrial, and automotives areas.

We are looking forward to setting up business relationship with you and hope to provide you with the best service and solution. Let us make a better world for our industry!



Contact us

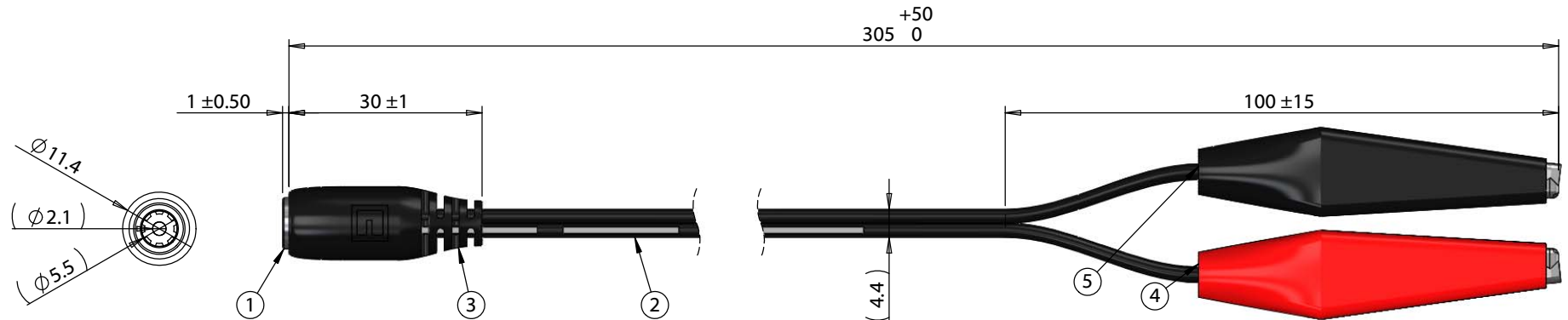
Tel: +86-755-8981 8866 Fax: +86-755-8427 6832

Email & Skype: info@chipsmall.com Web: www.chipsmall.com

Address: A1208, Overseas Decoration Building, #122 Zhenhua RD., Futian, Shenzhen, China



ITEM NO.	PART NUMBER	DESCRIPTION	QTY.	COMPONENT NOTES
1	50-00025	Connector, dc jack, 5.5x2.1xL17.4 mm, molding style	1	
2	30-00395	Wire, 2C TS, 18 AWG, UL2468, 300V, 80C, 4.4 mm, VW-1, PVC, 87A	1	
3	24-00004	Overmold, PVC	1	black
4	50-00555	Connector, 50 mm, alligator clip, red sleeve	1	
5	50-00556	Connector, 50 mm, alligator clip, black sleeve	1	



Notes:
Functionally equivalent components may be substituted

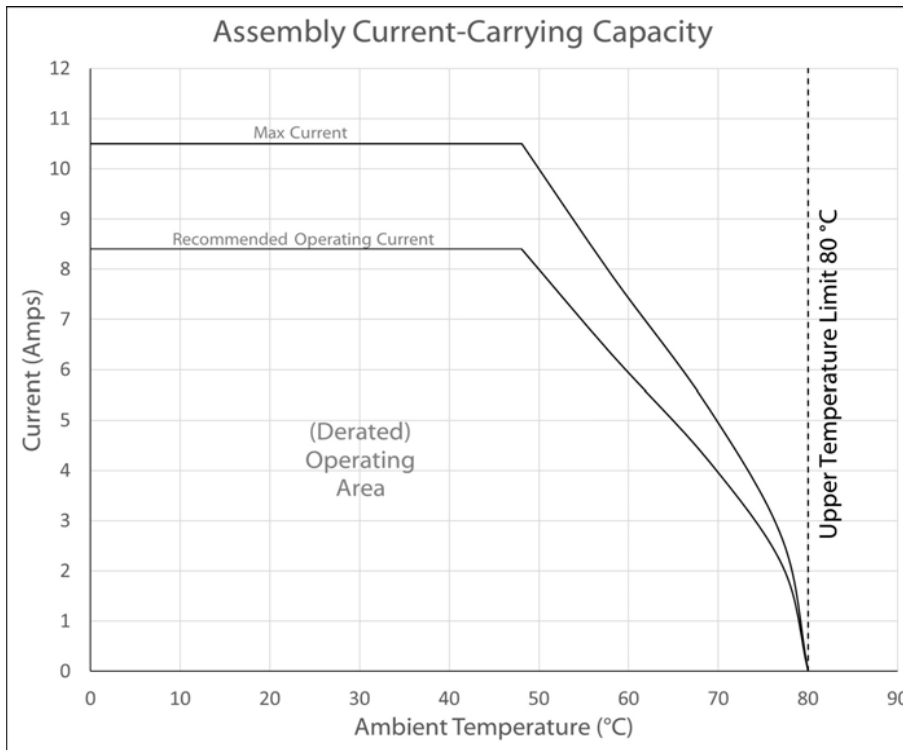
Wiring Diagram		
50-00025	wire color	alligator clip
center	black with stripe	50-00555/red
sleeve	black	50-00556/black

Revision:	Date:	Description:	Prepared:	Notes:	<h1>TENSILITY</h1> tel 1.541.323.3228 800 877.670.7118 fax 1.541.323.4202 web tensility.com
A	5/23/2017	Initial release	DN <small>Digitally signed by DN Date: 2017.05.23 10:47:17 -07'00'</small>		
			Verified:	Function test: no open, no short circuit, no intermittent	
			GL <small>Digitally signed by GL Date: 2017.05.24 14:34:18 -07'00'</small>	Description:	Size: Part number:
			Dimensions are in millimeters. Tolerances: X: ± 0.5 mm X.X: ± 0.3 mm X.XX: ± 0.05 mm	Cable, 305 mm, 5.5x2.1 mm 50-00025 dc jack to alligator clips, 18 AWG, 30-00395 wire	A 10-02460
					Scale: 1:1 Sheet 1 of 2

Electrical Requirements

Operating Voltage: 48 V

Max Current: 10.5 A



Testing based on IEC 60512-5-2. Max current curve generated with isolated test article under controlled environmental conditions, and does not take into account external factors such as housings or circuitry. Recommended operating current curve (derated to 80% of max values) accounts for external factors, manufacturing variation, and error in temperature measurements.

Revision:	Date:	Description:	Prepared:	Notes:	<h1>TENSILITY</h1> <p>tel 1.541.323.3228 800 877.670.7118 fax 1.541.323.4202 web tensility.com</p>
A	5/23/2017	Initial release	DN <small>Digitally signed by DN Date: 2017.05.23 10:47:26 -07'00'</small>	RoHS and REACH compliant	
			Verified: GL <small>Digitally signed by GL Date: 2017.05.24 14:34:35 -07'00'</small>	Function test: no open, no short circuit, no intermittent	Size: Part number:
			Dimensions are in millimeters. Tolerances: X: ± 0.5 mm X.X: ± 0.3 mm X.XX: ± 0.05 mm	Description:	A 10-02460
				Cable, 305 mm, 5.5x2.1 mm 50-00025 dc jack to alligator clips, 18 AWG, 30-00395 wire	Scale: 1:1
					Sheet 2 of 2