



Chipsmall Limited consists of a professional team with an average of over 10 year of expertise in the distribution of electronic components. Based in Hongkong, we have already established firm and mutual-benefit business relationships with customers from,Europe,America and south Asia,supplying obsolete and hard-to-find components to meet their specific needs.

With the principle of “Quality Parts,Customers Priority,Honest Operation,and Considerate Service”,our business mainly focus on the distribution of electronic components. Line cards we deal with include Microchip,ALPS,ROHM,Xilinx,Pulse,ON,Everlight and Freescale. Main products comprise IC,Modules,Potentiometer,IC Socket,Relay,Connector.Our parts cover such applications as commercial,industrial, and automotives areas.

We are looking forward to setting up business relationship with you and hope to provide you with the best service and solution. Let us make a better world for our industry!



Contact us

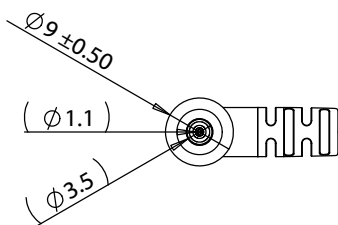
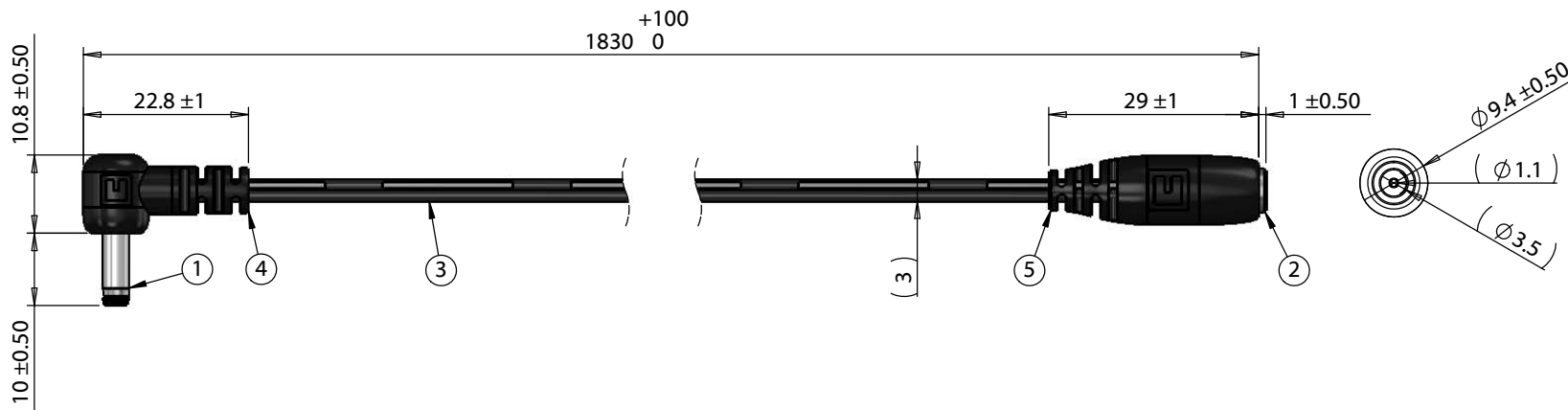
Tel: +86-755-8981 8866 Fax: +86-755-8427 6832

Email & Skype: info@chipsmall.com Web: www.chipsmall.com

Address: A1208, Overseas Decoration Building, #122 Zhenhua RD., Futian, Shenzhen, China



ITEM NO.	PART NUMBER	DESCRIPTION	QTY.	COMPONENT NOTES
1	50-00105	Connector, dc plug, 3.5x1.1xL18.8 mm, molding style, spring contacts	1	
2	50-00045	Connector, dc jack, 3.5x1.1xL16.5 mm, molding style	1	
3	30-00404	Wire, 2C TS, 24 AWG, UL2468, 300V, 80C, 3.0 mm, VW-1, PVC, 87A	1	
4	24-00009	Overmold, PVC	1	black
5	24-00005	Overmold, PVC	1	black



Wiring Diagram		
50-00105	wire color	50-00045
center	black with stripe	center
sleeve	black	sleeve

Notes:
Functionally equivalent components may be substituted

Revision:	Date:	Description:	Prepared:	Notes:	<h1>TENSILITY</h1> tel 1.541.323.3228 800 877.670.7118 fax 1.541.323.4202 web tensility.com
A	01/22/2018	Initial release	GL <small>Digitally signed by GL Date: 2018.03.07 10:00:30 -08'00'</small>		
			Verified:	Function test: no open, no short circuit, no intermittent	Size: Part number:
			JP <small>Digitally signed by JP Date: 2018.03.07 11:08:32 -08'00'</small>	Description:	A 10-02536
			Dimensions are in millimeters. Tolerances: X: ± 0.5 mm X.X: ± 0.3 mm X.XX: ± 0.05 mm	Cable, 1830 mm, 3.5x1.1x10 mm 90° 50-00105 dc plug to 3.5x1.1 mm 50-00045 dc jack, 24 AWG, UL2468	Scale: 1:1
					Sheet 1 of 1

5

4

3

2

1