



Chipsmall Limited consists of a professional team with an average of over 10 year of expertise in the distribution of electronic components. Based in Hongkong, we have already established firm and mutual-benefit business relationships with customers from,Europe,America and south Asia,supplying obsolete and hard-to-find components to meet their specific needs.

With the principle of “Quality Parts,Customers Priority,Honest Operation,and Considerate Service”,our business mainly focus on the distribution of electronic components. Line cards we deal with include Microchip,ALPS,ROHM,Xilinx,Pulse,ON,Everlight and Freescale. Main products comprise IC,Modules,Potentiometer,IC Socket,Relay,Connector.Our parts cover such applications as commercial,industrial, and automotives areas.

We are looking forward to setting up business relationship with you and hope to provide you with the best service and solution. Let us make a better world for our industry!



## Contact us

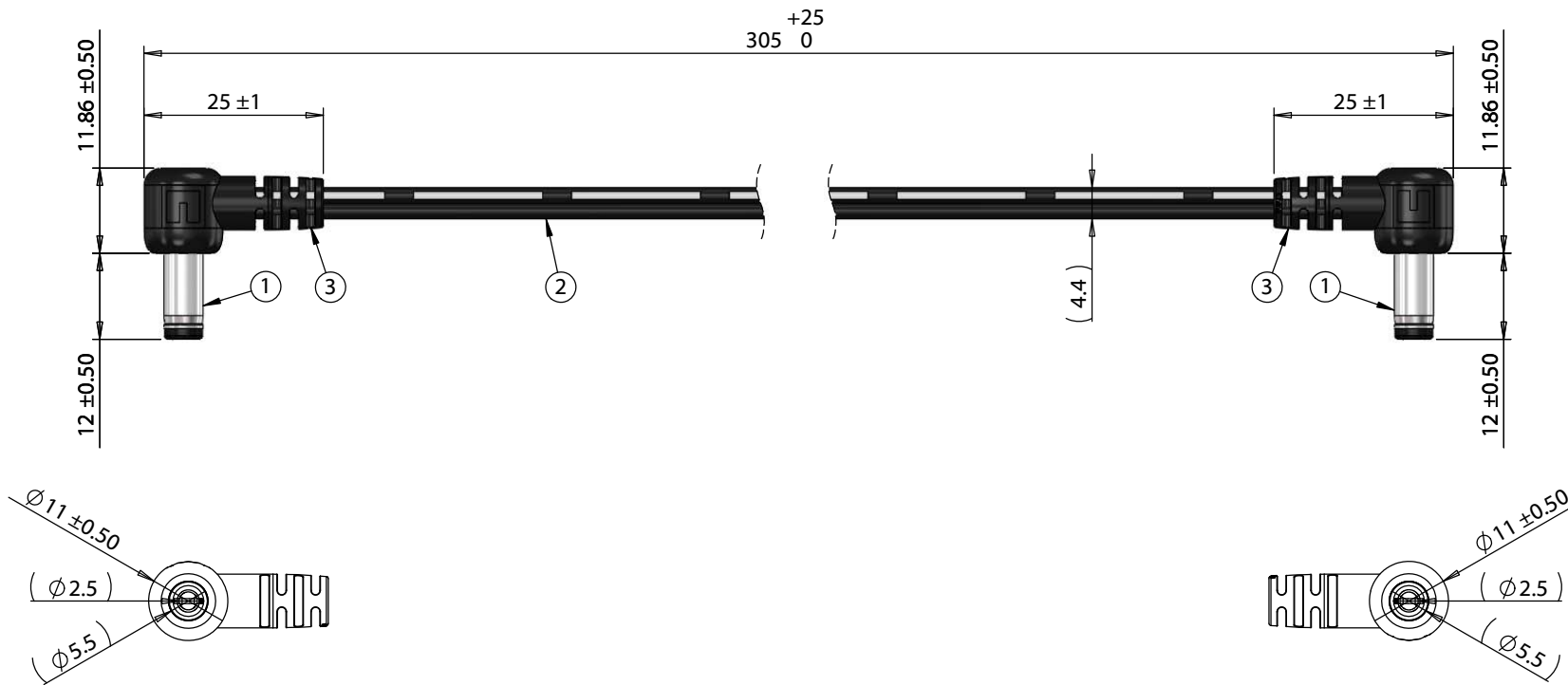
Tel: +86-755-8981 8866 Fax: +86-755-8427 6832

Email & Skype: info@chipsmall.com Web: www.chipsmall.com

Address: A1208, Overseas Decoration Building, #122 Zhenhua RD., Futian, Shenzhen, China



ITEM NO.	PART NUMBER	DESCRIPTION	QTY.	COMPONENT NOTES
1	50-00187	Connector, dc plug, 5.5x2.5xL20.5 mm, molding style, spring contacts	2	
2	30-00395	Wire, 2C TS, 18 AWG, UL2468, 300V, 80C, 4.4 mm, VW-1, PVC, 87A	1	
3	24-00006	Overmold, PVC	2	black



Wiring Diagram		
50-00187	wire color	50-00187
center	black with stripe	center
sleeve	black	sleeve

**Notes:**  
Functionally equivalent components may be substituted

Revision:	Date:	Description:	Prepared:	Notes:	<h1>TENSILITY</h1> <p>tel 1.541.323.3228 800 877.670.7118 fax 1.541.323.4202 web tensility.com</p>
A	01/19/2018	Initial release	GL <small>Digitally signed by GL Date: 2018.01.19 08:44:28 -08'00'</small>		
			Verified:	Function test: no open, no short circuit, no intermittent	Size:
			AW <small>Digitally signed by AW Date: 2018.02.14 09:11:10 -08'00'</small>	Description:	Part number:
			Dimensions are in millimeters. Tolerances: X: ± 0.5 mm X.X: ± 0.3 mm X.XX: ± 0.05 mm	Cable, 305 mm, 5.5x2.5x12 mm 90° 50-00187 dc plug to same, 18 AWG, UL2468, 30-00395 wire	A 10-02548
					Scale: 1:1
					Sheet 1 of 1

5

4

3

2

1