



Chipsmall Limited consists of a professional team with an average of over 10 year of expertise in the distribution of electronic components. Based in Hongkong, we have already established firm and mutual-benefit business relationships with customers from,Europe,America and south Asia,supplying obsolete and hard-to-find components to meet their specific needs.

With the principle of “Quality Parts,Customers Priority,Honest Operation,and Considerate Service”,our business mainly focus on the distribution of electronic components. Line cards we deal with include Microchip,ALPS,ROHM,Xilinx,Pulse,ON,Everlight and Freescale. Main products comprise IC,Modules,Potentiometer,IC Socket,Relay,Connector.Our parts cover such applications as commercial,industrial, and automotives areas.

We are looking forward to setting up business relationship with you and hope to provide you with the best service and solution. Let us make a better world for our industry!



## Contact us

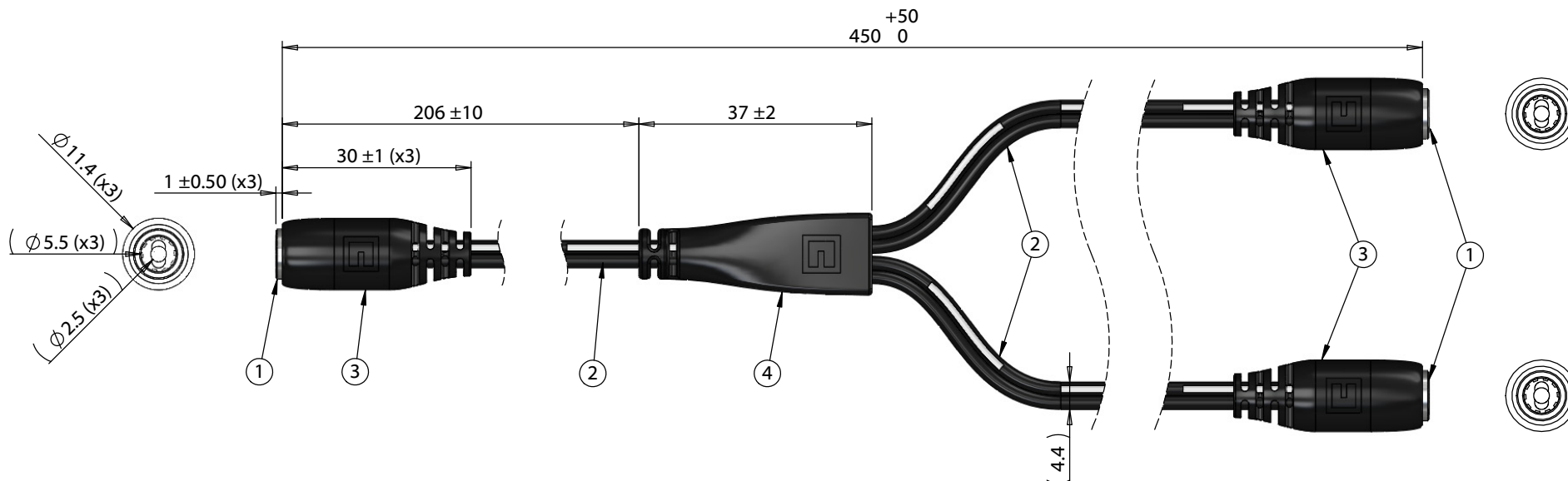
Tel: +86-755-8981 8866 Fax: +86-755-8427 6832

Email & Skype: info@chipsmall.com Web: www.chipsmall.com

Address: A1208, Overseas Decoration Building, #122 Zhenhua RD., Futian, Shenzhen, China



ITEM NO.	PART NUMBER	DESCRIPTION	QTY.	COMPONENT NOTES
1	50-00027	Connector, dc jack, 5.5x2.5xL17.4 mm, molding style	3	
2	30-00007	Wire, 2C BC, 18 AWG, UL2468, 300V, 80C, 4.4 mm, VW-1, PVC, 87A	3	
3	24-00004	Overmold, PVC	3	black
4	24-00195	Overmold, splitter, Ø 8.0 mm by 10.0x13.0 mm	1	black



**Notes:**  
Functionally equivalent components may be substituted

Wiring Diagram		
50-00027	wire color	50-00027
center	black with stripe	center
sleeve	black	sleeve

Revision: A	Date: 4/10/2018	Description: Initial release	Prepared: JP <small>Digitally signed by JP Date: 2018.04.11 11:41:28 -0700</small>	Notes: RoHS and REACH compliant Function test: no open, no short circuit, no intermittent	<h1>TENSILITY</h1> <p>tel 1.541.323.3228 800 877.670.7118 fax 1.541.323.4202 web tensility.com</p>
			Verified: AW <small>Digitally signed by AW Date: 2018.04.11 15:41:01 -0700</small>		
			Dimensions are in millimeters. Tolerances: X: ± 0.5 mm X.X: ± 0.3 mm X.XX: ± 0.05 mm	Description: Cable, 450 mm, 5.5x2.5 mm 50-00027 dc jack to y-split to 2x 5.5x2.5 mm dc jack, 18 AWG, UL2468	Size: A Part number: 10-02734
					Scale: 1:1  Sheet 1 of 1

5 4 3 2 1