



Chipsmall Limited consists of a professional team with an average of over 10 year of expertise in the distribution of electronic components. Based in Hongkong, we have already established firm and mutual-benefit business relationships with customers from,Europe,America and south Asia,supplying obsolete and hard-to-find components to meet their specific needs.

With the principle of “Quality Parts,Customers Priority,Honest Operation,and Considerate Service”,our business mainly focus on the distribution of electronic components. Line cards we deal with include Microchip,ALPS,ROHM,Xilinx,Pulse,ON,Everlight and Freescale. Main products comprise IC,Modules,Potentiometer,IC Socket,Relay,Connector.Our parts cover such applications as commercial,industrial, and automotives areas.

We are looking forward to setting up business relationship with you and hope to provide you with the best service and solution. Let us make a better world for our industry!



Contact us

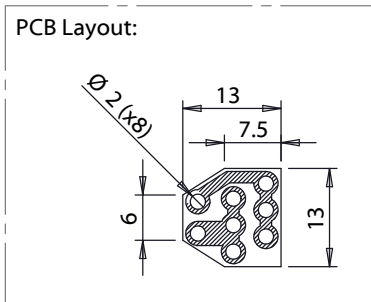
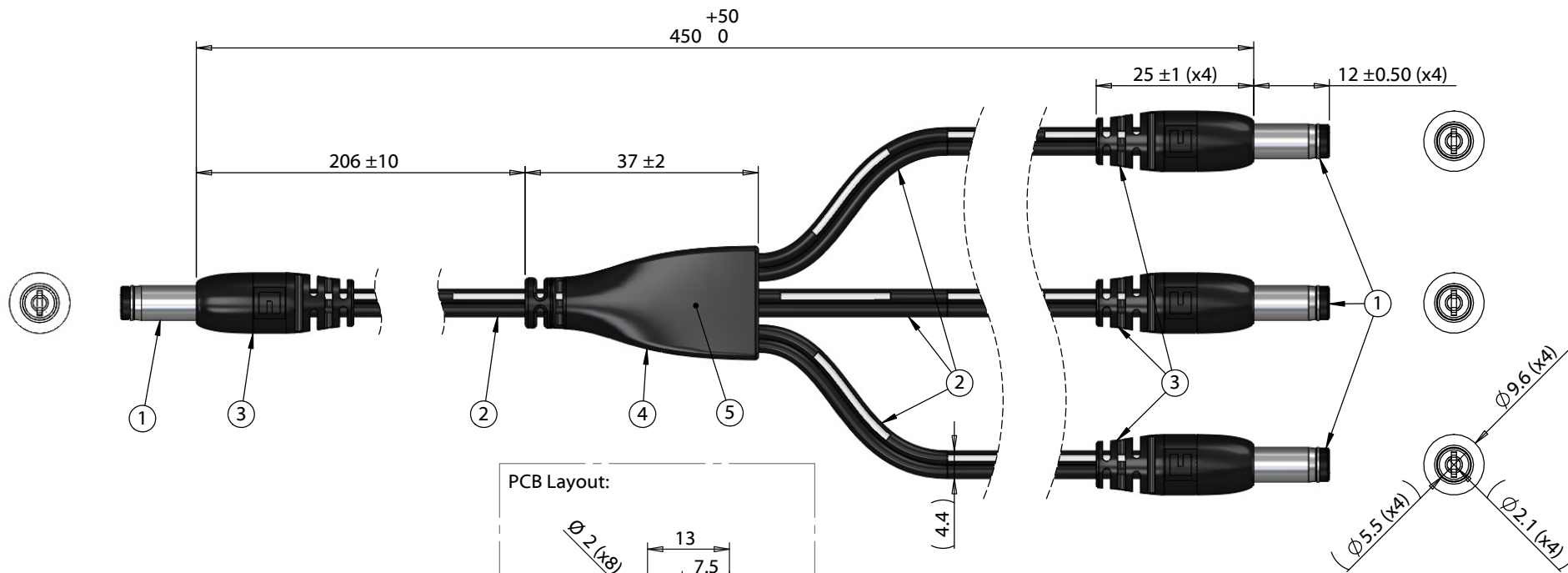
Tel: +86-755-8981 8866 Fax: +86-755-8427 6832

Email & Skype: info@chipsmall.com Web: www.chipsmall.com

Address: A1208, Overseas Decoration Building, #122 Zhenhua RD., Futian, Shenzhen, China



| ITEM NO. | PART NUMBER | DESCRIPTION | QTY. | COMPONENT NOTES |
|----------|-------------|--|------|-----------------|
| 1 | 50-00024 | Connector, dc plug, 5.5x2.1xL23 mm, molding style, spring contacts | 4 | |
| 2 | 30-00007 | Wire, 2C BC, 18 AWG, UL2468, 300V, 80C, 4.4 mm, VW-1, PVC, 87A | 4 | |
| 3 | 24-00003 | Overmold, PVC | 4 | black |
| 4 | 24-00186 | Overmold, splitter, Ø 8.0 mm by 10.0x18.0 mm | 1 | black |
| 5 | PCB | Splitter PCB, FR4, two-layer, tin, 13.0x13.0x1.6 mm | 1 | |



| Wiring Diagram | | |
|----------------|-------------------|----------|
| 50-00024 | wire color | 50-00024 |
| center | black with stripe | center |
| sleeve | black | sleeve |

Notes:
Functionally equivalent components may be substituted

| | | | | | |
|-----------|-----------|-----------------|--|--|---|
| Revision: | Date: | Description: | Prepared: | Notes: | <h1>TENSILITY</h1> tel 1.541.323.3228 800 877.670.7118 fax 1.541.323.4202 web tensility.com |
| A | 4/12/2018 | Initial release | JP Digitally signed by JP Date: 2018.04.12 15:47:15 -0700 | | |
| | | | Verified: | Function test: no open, no short circuit, no intermittent | Size: Part number: A 10-02744 |
| | | | AG Digitally signed by AG Date: 2018.04.16 16:18:32 -0700 | | |
| | | | Dimensions are in millimeters. Tolerances: X: ± 0.5 mm X.X: ± 0.3 mm X.XX: ± 0.05 mm | Description: | Scale: 1:1 |
| | | | | Cable, 450 mm, 5.5x2.1x12 mm 50-00024 dc plug to y-split to 3x 5.5x2.1x12 mm dc plug, 18 AWG, UL2468 | Sheet 1 of 1 |

To see a custom version of this cable assembly, call Tensility at 541-323-3228 or email engineering@tensility.com