



Chipsmall Limited consists of a professional team with an average of over 10 year of expertise in the distribution of electronic components. Based in Hongkong, we have already established firm and mutual-benefit business relationships with customers from,Europe,America and south Asia,supplying obsolete and hard-to-find components to meet their specific needs.

With the principle of “Quality Parts,Customers Priority,Honest Operation,and Considerate Service”,our business mainly focus on the distribution of electronic components. Line cards we deal with include Microchip,ALPS,ROHM,Xilinx,Pulse,ON,Everlight and Freescale. Main products comprise IC,Modules,Potentiometer,IC Socket,Relay,Connector.Our parts cover such applications as commercial,industrial, and automotives areas.

We are looking forward to setting up business relationship with you and hope to provide you with the best service and solution. Let us make a better world for our industry!



## Contact us

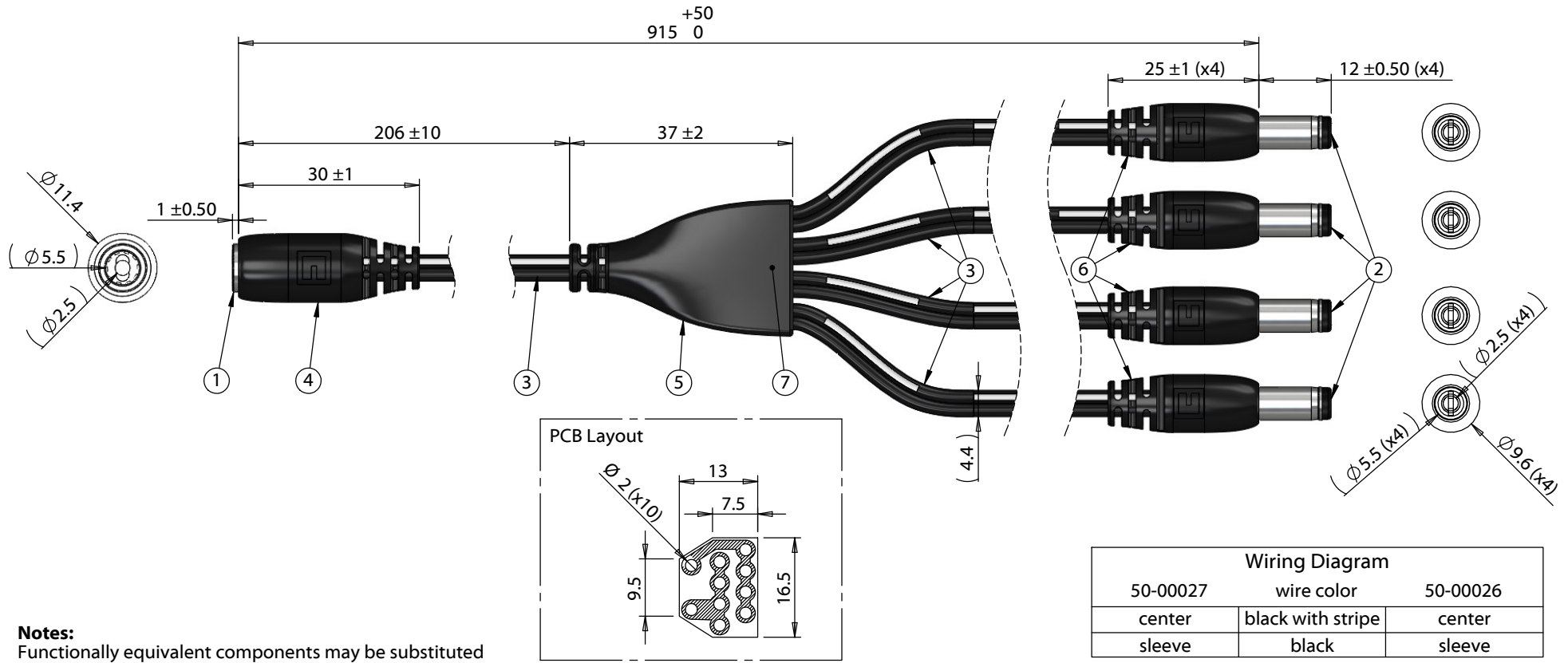
Tel: +86-755-8981 8866 Fax: +86-755-8427 6832

Email & Skype: info@chipsmall.com Web: www.chipsmall.com

Address: A1208, Overseas Decoration Building, #122 Zhenhua RD., Futian, Shenzhen, China



ITEM NO.	PART NUMBER	DESCRIPTION	QTY.	COMPONENT NOTES
1	50-00027	Connector, dc jack, 5.5x2.5xL17.4 mm, molding style	1	
2	50-00026	Connector, dc plug, 5.5x2.5xL23 mm, molding style, spring contacts	4	
3	30-00007	Wire, 2C BC, 18 AWG, UL2468, 300V, 80C, 4.4 mm, VW-1, PVC, 87A	5	
4	24-00004	Overmold, PVC	1	black
5	24-00219	Overmold, splitter, $\varnothing$ 8.0 mm by 10.0x22.6 mm	1	black
6	24-00003	Overmold, PVC	4	black
7	PCB	Splitter PCB, FR4, two-layer, tin, 13.0x16.5x1.6 mm	1	



**Notes:**  
Functionally equivalent components may be substituted

Revision:	Date:	Description:
A	4/13/2018	Initial release

Prepared:  
**JP**  
Digitally signed by JP  
Date: 2018.04.13  
12:08:42 -07'00'

Verified:  
**GL**  
Digitally signed by GL  
Date: 2018.04.16  
11:54:22 -07'00'

Dimensions are in millimeters.  
Tolerances:  
X:  $\pm 0.5$  mm  
X.X:  $\pm 0.3$  mm  
X.XX:  $\pm 0.05$  mm

Notes:  
RoHS and REACH compliant

Function test: no open, no short circuit, no intermittent

Description:  
Cable, 915 mm, 5.5x2.5 mm 50-00027 dc jack to splitter to 4x 5.5x2.5x12 mm 50-00026 dc plug, 18 AWG

**TENSILITY**

tel 1.541.323.3228 800 877.670.7118  
fax 1.541.323.4202 web tensility.com

Size: Part number:  
A 10-02763  
Scale: 1:1 Sheet 1 of 1